



## DOME - RDM

### 6" LED RECESSED DOWNLIGHT

With adjustable trim

#### FEATURES AND SPECIFICATIONS

##### • Construction

###### Housing

Housing constructed of heavy duty galvanized steel with built-in thermal protection.

###### Trim

Trims constructed with cold rolled steel. Available in white and black.

###### LED

Color temperatures available in 2 700 K, 3 000 K, 3 500 K and 4 000 K, with a choice of 80+ CRI and 90+ CRI.

###### Driver

120 V, 277 V or 347 V, 0-10 V dimming standard.

###### Optics/lens

Standard lens that allows for desired beam angles.

###### Aiming

- 42° maximum tilt
- 270° rotation

###### Lumens

1 585 to 4 089 lm

###### Beams

- Spot (16°)
- Narrow Flood (24°)
- Flood (36°)
- Wide flood (50°)

###### Reflectors

Aluminum reflectors.

##### • Compliances

- cCSAus listed for damp location
- Photometric testing in compliance with IES LM79-80
- ICES 005



LED  
fixture



dimmable  
fixture



damp  
location



ICES  
005



C SA US

#### OVERVIEW

Light source	LED
Watts (W)	22 - 38
Lumen output (lm)	1 585 - 4 089
Efficiency (lm/W)	72 - 108
Color temperature (K)	2 700, 3 000, 3 500, 4 000
CRI	80+, 90+
Weight (lbs)	3.6 - 5.1

**ORDERING GUIDE - TRIMS**

Series	Lumen package (lm)	CRI	Trim color	Color temp. (K)	Beam angle <sup>2</sup>
RDM	20 - 1 585 - 2 213 24 - 1 902 - 2 636 30 - 2 421 - 3 406 36 - 2 906 - 4 089	80 - 80+ 90 - 90+	W - White B <sup>1</sup> - Black	27K - 2 700 30K - 3 000 35K - 3 500 40K - 4 000	S - Spot N - Narrow flood F - Flood W - Wide

<sup>1</sup> Available on request, please contact factory.  
<sup>2</sup> Refer to Beam distribution chart for more details.

**ORDERING GUIDE - HOUSINGS**

Series	Lumen package <sup>1</sup>	Volts (VAC)
RDM - Non IC	20	A - 120
RDMRM - Remodeler	24 30 36	E - 277 H - 347

<sup>1</sup> Please note that each housing and trim should correspond to a specific lumen package. For more information, please see Trims Ordering Guide above.

**TECHNICAL SPECIFICATION TABLE**

Lumen package	Watts (W)	Volts (VAC)	2 700 K		3 000 K		3 500 K		4 000 K		CRI	Life L70 (hrs)	Type of distrib.	Power factor	THD (%)
			Lumen (lm)	Efficiency (lm/W)	Lumen (lm)	Efficiency (lm/W)	Lumen (lm)	Efficiency (lm/W)	Lumen (lm)	Efficiency (lm/W)					
20	22	120	2 033	92	2 118	96	2 186	99	2 198	100	80+	36 000	Narrow Flood	>0.9	<20
24	26	120	2 446	94	2 535	98	2 624	101	2 639	102	80+	36 000	Narrow Flood	>0.9	<20
30	31	120	3 104	100	3 264	105	3 332	107	3 365	109	80+	36 000	Narrow Flood	>0.9	<20
36	37	120	3 726	101	3 911	106	4 000	108	4 040	109	80+	36 000	Narrow Flood	>0.9	<20

**COMPATIBLE DIMMERS<sup>1</sup> - 0-10 V DIMMERS**

Brand	Model number
Leviton	IP710-DLZ, IP710DLX, CFCS, DS710
Legrand	CD4FBW, WS4FBL3P
Lutron	NOVA NFTV, T NTSTV, DIVA DVTV, DVSVCTV
WATTSTOPPER	ADF-120277

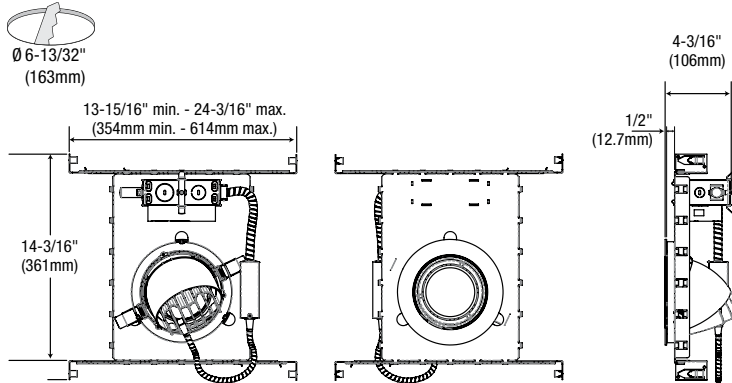
<sup>1</sup> Dimming range: 10%-100%.

**Note:** The above table shows dimmers that have been tested and have demonstrated proper operation under normal conditions. Each installation being unique, various factors such as load, common neutrals or other electrical products on the circuit can, in certain instances, cause variance in system performance. Read and comply to the dimmer installation instructions. Consult dimming system manufacturer for additional support in operation. Standard recommends to use dimmers designed to work with LED products. Older dimmers designed for incandescent products may cause erratic operation. Some dimmers may require more than one product for stable operation. The maximum number of products is determined by the dimmer wattage rating with LEDs. Be careful, these dimmers have different ratings depending on the product type. Again, refer to the dimmer installation instructions.

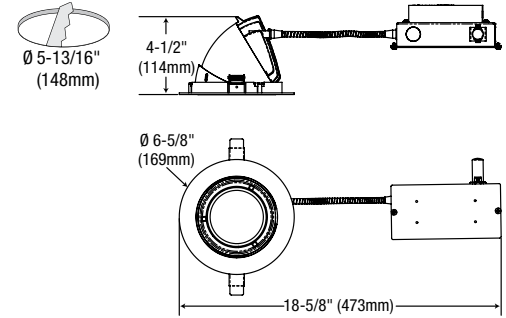
Data is based upon tests performed in a controlled environment. Actual performance can vary depending on operating conditions. All products are subject to change or may be discontinued any time without notice.

**DIMENSIONS**

**RDM**  
NON-IC FRAME-IN KIT



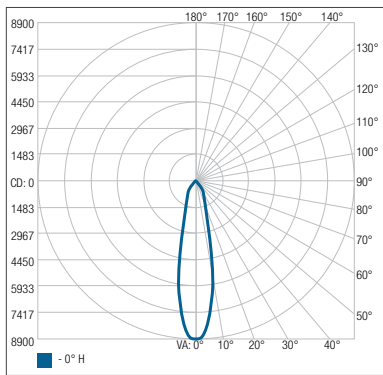
**RDMRM**  
REMODELER



**PHOTOMETRIC DATA<sup>1</sup>**

**RDM-2080-XX-30K-N • 2 113.2 lm**

**Polar candela distribution**



**Zonal lumen summary**

Zone	Lumens	% Fixture
0-30	1 781.6	84.3%
0-40	2 035.0	96.3%
0-60	2 086.4	98.7%
60-90	26.8	1.3%
70-100	14	0.7%
90-120	0	0%
0-90	2 113.2	100%
90-180	0	0%
0-180	2 113.2	100%

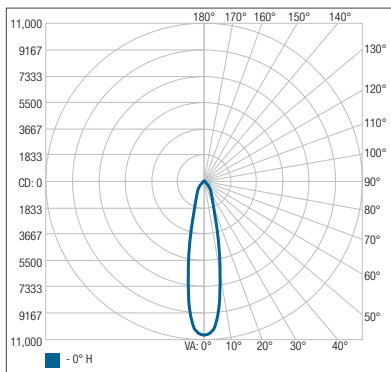
**Illuminance at a distance**

Center beam fc	Beam width
1.7'	3 070 fc
3.3'	815 fc
5.0'	355 fc
6.7'	198 fc
8.3'	129 fc
10.0'	88.7 fc

Beam spread: 22.5°

**RDM-2480-XX-30K-N • 2 531.4 lm**

**Polar candela distribution**



**Zonal lumen summary**

Zone	Lumens	% Fixture
0-30	2 134.8	84.3%
0-40	2 437.7	96.3%
0-60	2 499.3	98.7%
60-90	32.2	1.3%
70-100	16.9	0.7%
90-120	0	0%
0-90	2 531.4	100%
90-180	0	0%
0-180	2 531.4	100%

**Illuminance at a distance**

Center beam fc	Beam width
1.7'	3 686 fc
3.3'	978 fc
5.0'	426 fc
6.7'	237 fc
8.3'	155 fc
10.0'	107 fc

Vert. spread: 22.3°  
Horiz. spread: 22.4°

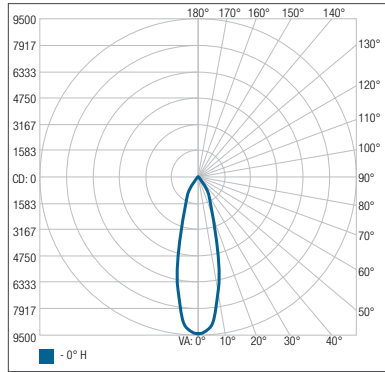
<sup>1</sup> Complete IES files available on our website.

Data is based upon tests performed in a controlled environment. Actual performance can vary depending on operating conditions. All products are subject to change or may be discontinued any time without notice.

**PHOTOMETRIC DATA<sup>1</sup> (cont'd)**

**RDM-3080-XX-30K-N • 3 258.8 lm**

**Polar candela distribution**



**Zonal lumen summary**

Zone	Lumens	% Fixture
0-30	2 683.0	82.3%
0-40	3 095.3	95%
0-60	3 205.5	98.4%
60-90	53.3	1.6%
70-100	27.2	0.8%
90-120	0	0%
0-90	3 258.8	100%
90-180	0	0%
0-180	3 258.8	100%

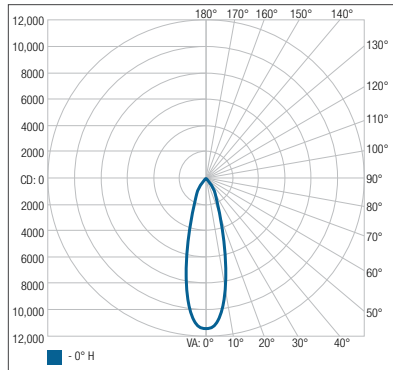
**Illuminance at a distance**

	Center beam fc	Beam width
1.7'	3 828 fc	0.9'
3.3'	871 fc	1.7'
5.0'	379 fc	2.5'
6.7'	211 fc	3.4'
8.3'	138 fc	4.2'
10.0'	94.9 fc	5.0'

■ Beam spread: 28.1°

**RDM-3680-XX-30K-N • 3 906.7 lm**

**Polar candela distribution**



**Zonal lumen summary**

Zone	Lumens	% Fixture
0-30	3 217.8	82.4%
0-40	3 710.7	95%
0-60	3 842.8	98.4%
60-90	64	1.6%
70-100	32.6	0.8%
90-120	0	0%
0-90	3 906.7	100%
90-180	0	0%
0-180	3 906.7	100%

**Illuminance at a distance**

	Center beam fc	Beam width
1.7'	3 940 fc	0.8' 0.9'
3.3'	1 046 fc	1.6' 1.7'
5.0'	456 fc	2.5' 2.5'
6.7'	254 fc	3.3' 3.4'
8.3'	165 fc	4.1' 4.2'
10.0'	114 fc	5.0' 5.0'

■ Vert. spread: 28.1°  
■ Horiz. spread: 28.1°

<sup>1</sup> Complete IES files available on our website.

Data is based upon tests performed in a controlled environment. Actual performance can vary depending on operating conditions. All products are subject to change or may be discontinued any time without notice.