

## Series Spec Sheet

# POWER SUPPLIES

## 12 V DC LED DRIVERS

### Class 2

Stanpro's 12 V constant voltage power supplies are available in a variety of wattage options, dimming and connection type to support our LED tape systems and undercabinet low voltage luminaires. Accessible for many indoor and outdoor applications.

### FEATURES AND SPECIFICATIONS

#### • Construction

- White frame
- Enclosed in a surface mountable junction box or
- Enclosed in a fully isolated plastic case

#### • Electrical

- Constant Voltage
- High efficiency up to 83%
- Suitable options:
  - Dry location use IP20
  - Wet or damp location use IP65 or IP67
- Ambient temperature range -20°C to 50°C

#### Hardwire Dimmable:

- Input range: 100-130 V AC
- Forward and reverse phase
- Cooling by free air convection
- Protections: short-circuit, over voltage
- Flicker-free dimming
- 3 years warranty

#### Hardwire Dimmable:

- Input range: 100-240 V AC
- Protections: short-circuit, over current, overheating
- Fully isolated plastic case
- 3 years warranty

#### Plug-In Non-dimmable:

- Input range: 100-240 V AC
- Protections: overload, over voltage, short-circuit
- 2 years warranty



quick  
ship



constant  
volts



### OVERVIEW

Light source	LED
Watts (W)	10 - 60

**QUICK SHIP AND TECHNICAL SPECIFICATION TABLE**

Order code	Model number	DC connector (Yes/No)	Watts (W)	Volts (VAC)	Output Volts (VAC)	Input Current (mA)	Frequency (Hz)	Power factor	Efficiency	IP rating	Operating Temperature (Range)	Warranty (yrs)	Master case qty
<b>Hardwired - Dimmable</b>													
65740	LED/DRIVER/50W/12V/HW/D/STD	No	50	100-130	12	410	50/60	0.95	81%	IP20	-10°C to 40°C	3	20
<b>Hardwired - Non-Dimmable</b>													
65743	LED/DRIVER/10W/12V/HW/ND/STD	No	10	100-240	12	220	50/60	0.50	74%	IP65	-10°C to 40°C	3	100
65744 *	LED/DRIVER/20W/12V/HW/ND/STD	No	20	100-240	12	250	50/60	0.90	73%	IP65	-20°C to 50°C	3	100
65745	LED/DRIVER/60W/12V/HW/ND/VS/STD	No	60	100-240	12	1 100	50/60	0.50	83%	IP67	-10°C to 40°C	3	30
<b>Plug-in - Non-dimmable</b>													
62265	LED/TAPE/36W/12V/WW+CW/PS/ND/STD	Yes	36	-	12	-	-	-	-	-	-	1	50
62266	LED/TAPE/36W/12V/RGB/PS/ND/STD	Yes	36	-	12	-	-	-	-	-	-	1	50

\* Ensure hardwire connections are made in a junction box (junction box not included with driver).

**COMPATIBLE DIMMERS<sup>1</sup>**

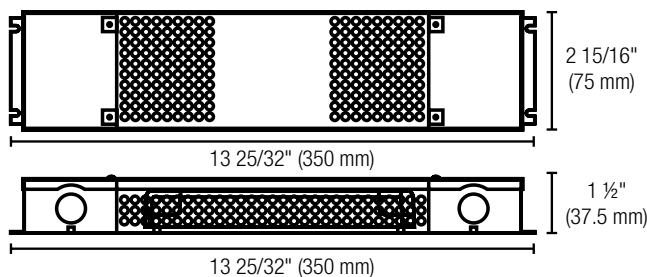
Brand	Model number
COOPER	DAL06P, AAL06, SLC03P
LEVITON	IPL06, 6674, DSL06-1LZ, DSM10-1LZ
LUTRON	PD-6WCL, DVCL-153P, CTCL-153P, DVCL-253P, AYCL-253P, MACL-153P
LEGRAND	HCL453P

**Dimming range: 10%-100%**

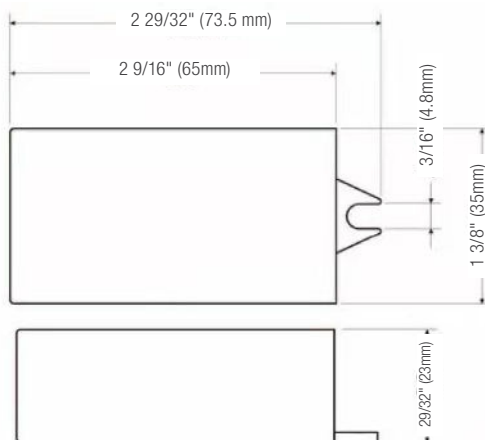
<sup>1</sup> This table shows dimmers that have been tested and have demonstrated proper operation under normal conditions. Each installation being unique, various factors such as load, common neutrals or other electrical products on the circuit can, in certain instances, cause variance in system performance. Read and comply to the dimmer installation instructions. Consult dimming system manufacturer for additional support in operation. Some dimmers may require more than one product for stable operation. Stanpro recommends to use dimmers designed to work with LED products. Older dimmers designed for incandescent products may cause erratic operation.

**DIMENSIONS**

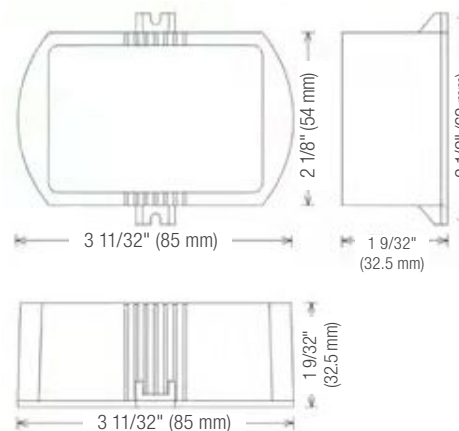
**65740**



**65743**



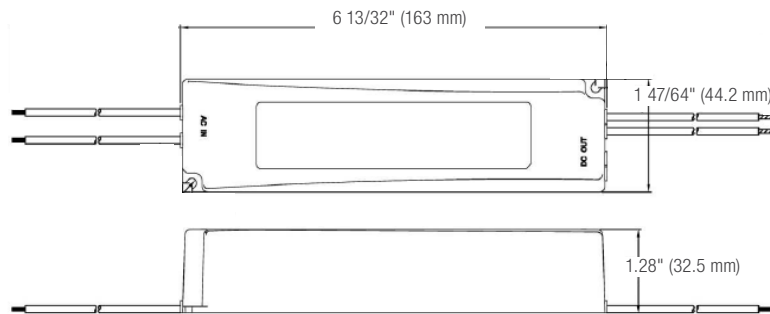
**65744**



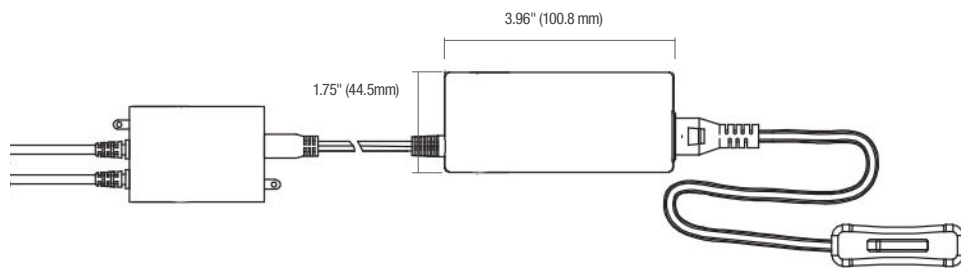
Data is based upon tests performed in a controlled environment. Actual performance can vary depending on operating conditions. All products are subject to change or may be discontinued any time without notice.

**DIMENSIONS**

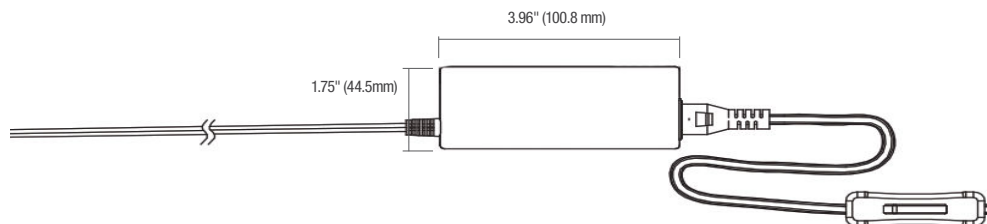
65745



62266



62265



Data is based upon tests performed in a controlled environment. Actual performance can vary depending on operating conditions. All products are subject to change or may be discontinued any time without notice.