

Series Spec Sheet

ALB

LED AREA LIGHT GEN 4

This versatile family of highly efficient and powerful LED Area Lights features a wide range of lumen packages. Finished in bronze, with its modern design, each luminaire is compatible with various universal mountings which allow for wall, ground and pole mount. Typical applications include general lighting of grounds, storage yards, car dealerships, parking areas as well.

FEATURES AND SPECIFICATIONS

• Construction

Housing

- This luminaire is made of aluminum die-cast housing
- Standard powder coat finish color is textured bronze
- Aluminum heat sink for a better heat dissipation

Mounting

Universal mounting system allowing the following mountings to be easily installed:

- Square or round (4", 5" and 6") pole arm
- Slipfitter with wall mount adapter
- Slipfitter
- Trunnion

Lens

- Outfitted with a clear polycarbonate lens that is UV resistant
- Offered in a type III distribution

• Technical specifications

- Drivers 120-277 V and 347-480 V
- 0-10 V dimming standard
- 10 kV surge protection standard
- Color temperatures: 4 000 K or 5 000 K
- Estimated lifespan of 60 000 hours to L70
- Ambient temperature: -40 to 40 °C

• Compliances

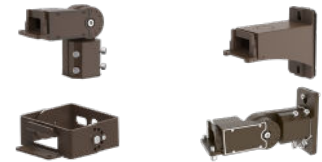
- IP65
- Wet location
- IK08
- Meets requirements of ICES-005 issue 5 for class B products
- cULus

OVERVIEW

Light source	LED
Watts (W)	100, 150, 230, 300, 400
Lumen output (lm)	12 998 - 57 551
Efficacy (lm/W)	126 -144
Color temperature (K)	4 000, 5 000
CRI	70



AREA LUMINAIRES
Single Power and Single CCT



FLOOD/AREA LIGHT MOUNTING ACCESSORIES
(sold separately¹)



ICES
005



Not all products are qualified on the DLC QPL. To view our DLC qualified products, please consult the DLC Qualified Products List at www.designlights.org/search.

¹ See below for ordering codes.

ORDERING GUIDE

ALB	L	3	BR					
Series	Size	Lamp type	Lumen package (W)	Distrib. type	Volts (V)	Color temp. (K)	Casting color	Options
ALB	S - Small	L - LED	1A - 100	3 - Type III	W - 120-277 I - 347-480	4K - 4 000 5K - 5 000	BR - Bronze (standard)	OSI - Occupancy sensor PR - 3 pin receptacle only PR7 - 7 pin receptacle only
	M - Medium		2A - 150					
	L - Large		3A - 230					
	X - Extra large		4A - 300					
			5A - 400					

OCCUPANCY SENSORS

Part number	Position	Volts (V)	Technology	Height (m)	Detection Area (%)	Hold time (min)	Stand-by dim level (%)	Daylight min level	Remote Part number ¹	Location ² (°C)
OSI-MSE	Internal	120-347	Microwave	10 max	100	15	50	Disable	68719 ¹	-35 to +60

¹ To be ordered separately.

² Verify fixture temperature for compatibility with sensor.



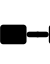


ACCESSORIES (order separately)

Order code	Description	Weight (lbs)
68571	Bronze Slipfitter	2.65
68572	Bronze square/round Pole arm	1.76
68573	Bronze Trunnion	2.43
68717	Bronze Slipfitter and Wall mount adapter	4.41
68719	Occupancy sensor remote for OSI-MSE	-

TECHNICAL SPECIFICATION TABLE

Lumen package	Watts (W)	Volts (V)	Distrib. type	LED current (mA)	4 000 K		5 000 K		CRI	Power factor	THD (%)	BUG	Life L70 (hrs)	Traditional equivalent (W)	
					Lumen (lm)	Efficacy (lm/W)	Lumen (lm)	Efficacy (lm/W)						MH	HPS
					1A	100	120-277	III						0.87-0.38	12 998
	102	347-480	0.5	13 766	135	13 924	137		0.907	12.82	B3 -U0- G2				
2A	151	120-277	III	1.412-0.601	19 950	132	20 138	134	70	0.995	5.14	B3 -U0- G3	>60 000	400-1 000	400-1 000
		151		347-480	0.8	19 690	131	19 916							
3A	234	120-277	III	2.191-0.947	33 137	142	33 458	143	70	0.997	6.01	B4 -U0- G4	>60 000	400-1 000	400-1 000
		230		347-480	1.8	31 440	137	31 736							
4A	300	120-277	III	2.703-1.168	41 071	137	41 467	138	70	0.998	5.87	B5-U0- G4	>60 000	400-1 000	1 000
		292		347-480	1.5	36 739	126	37 026							
5A	400	120-277	III	3.618-1.613	57 039	143	57 551	144	70	0.998	2.91	B5 -U0- G5	>60 000	1 000	1 000
		400		347-480	2.09	56 929	142	57 435							

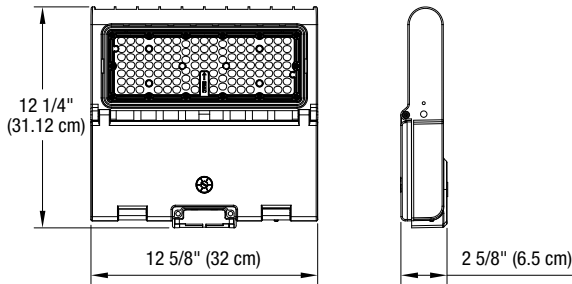
EPA

Lumen package					
1A-2A	0.53	0.84	1.08	1.23	1.51
3A	0.58	0.88	1.19	1.31	1.61
4A	0.63	1.04	1.29	1.42	1.73
5A	0.71	1.11	1.45	1.58	1.89

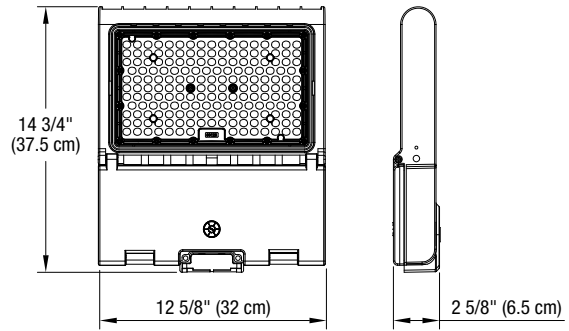
Data is based upon tests performed in a controlled environment. Actual performance can vary depending on operating conditions. All products are subject to change or may be discontinued any time without notice.

DIMENSIONS

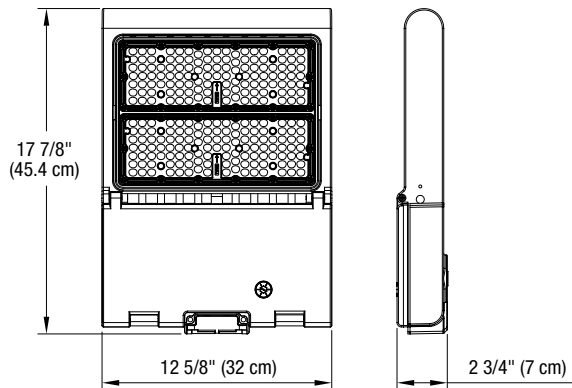
100, 150 W



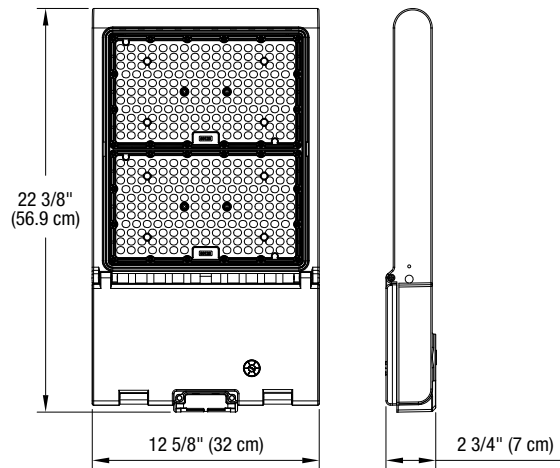
230 W



300 W



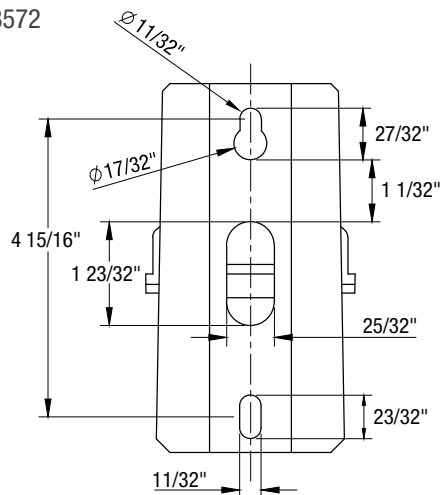
400 W



	100 W	150 W	230 W	300 W	400 W
Poids net (lbs)	8.82	9.26	11.24	15.21	18.30

DRILLING PATTERN

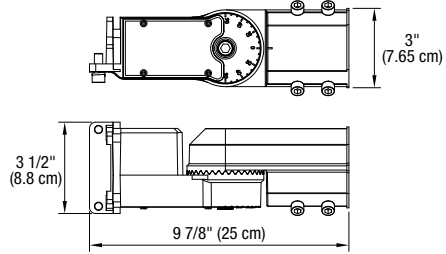
68572



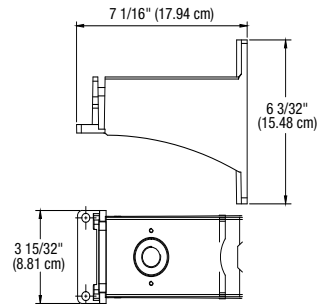
Data is based upon tests performed in a controlled environment. Actual performance can vary depending on operating conditions. All products are subject to change or may be discontinued any time without notice.

DIMENSIONS

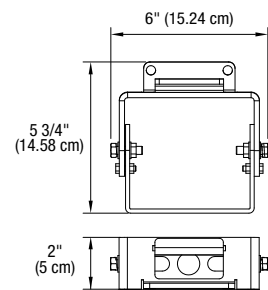
68571



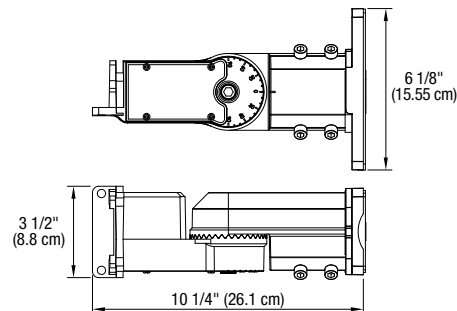
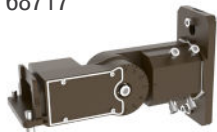
68572



68573



68717

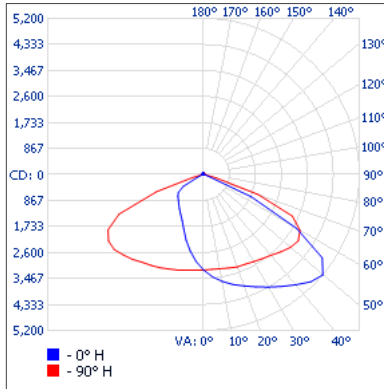


Data is based upon tests performed in a controlled environment. Actual performance can vary depending on operating conditions. All products are subject to change or may be discontinued any time without notice.

PHOTOMETRIC DATA¹

ALBS-L1A3-W-40K • 12 991.3 lm

Polar candela distribution



Zonal lumen summary

Zone	Lumens	% Fixture
0-30	2 636.9	20.3%
0-40	4 623.6	35.6%
0-60	10 053.9	77.4%
60-90	2 715.3	20.9%
70-100	557.2	4.3%
90-120	75.0	0.6%
0-90	12 769.3	98.3%
90-180	222.1	1.7%
0-180	12 991.3	100%

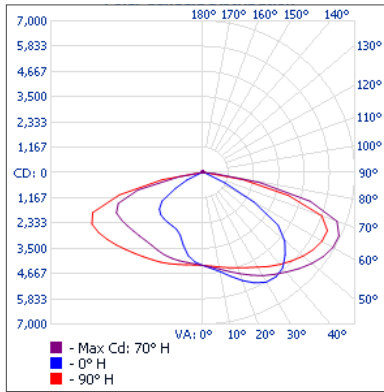
Illuminance at a distance

Center beam fc	Beam width
17'	24.9' 55.7'
34'	49.8' 111.3'
51'	74.7' 167.0'
68'	99.5' 222.6'
85'	124.4' 278.3'
102'	149.3' 333.9'

■ Vert. spread: 72.4°
■ Horiz. spread: 117.2°

ALBS-L2A3-W-40K • 19 942.8 lm

Polar candela distribution



Zonal lumen summary

Zone	Lumens	% Fixture
0-30	3 747.8	18.8%
0-40	6 657.2	33.4%
0-60	14 103.0	70.7%
60-90	5 521.8	27.7%
70-100	2 193.6	11%
90-120	111.3	0.6%
0-90	19 624.8	98.4%
90-180	318.1	1.6%
0-180	19 942.8	100%

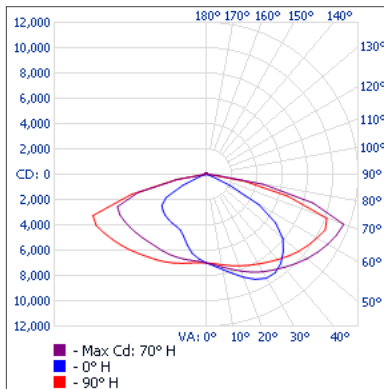
Illuminance at a distance

Center beam fc	Beam width
17'	56.0' 122.5'
34'	112.0' 245.0'
51'	168.0' 367.6'
68'	224.0' 490.1'
85'	280.0' 612.6'
102'	336.0' 735.1'

■ Vert. spread: 117.5°
■ Horiz. spread: 149.0°

ALBM-L3A3-W-40K • 33 126.5 lm

Polar candela distribution



Zonal lumen summary

Zone	Lumens	% Fixture
0-30	6 163.6	18.6%
0-40	10 936.2	33%
0-60	23 112.9	69.8%
60-90	9 464.5	28.6%
70-100	3 769.6	11.4%
90-120	198.4	0.6%
0-90	32 577.4	98.3%
90-180	549.1	1.7%
0-180	33 126.5	100%

Illuminance at a distance

Center beam fc	Beam width
17'	54.8' 109.5'
34'	109.7' 218.9'
51'	164.5' 328.4'
68'	219.3' 437.9'
85'	274.2' 547.4'
102'	329.0' 656.8'

■ Vert. spread: 116.4°
■ Horiz. spread: 145.5°

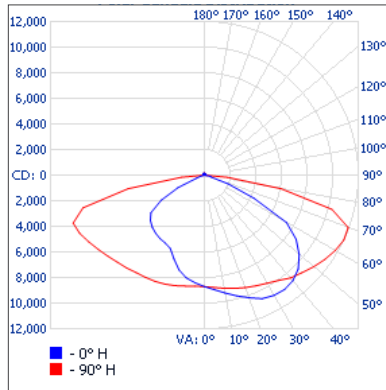
¹ Complete IES files available on our website.

Data is based upon tests performed in a controlled environment. Actual performance can vary depending on operating conditions. All products are subject to change or may be discontinued any time without notice.

PHOTOMETRIC DATA¹

ALBL-L4A3-W-40K • 41 057.7 lm

Polar candela distribution



Zonal lumen summary

Zone	Lumens	% Fixture
0-30	7 533.9	18.3%
0-40	13 210.0	32.2%
0-60	27 658.3	67.4%
60-90	12 735.2	31%
70-100	5 827.6	14.2%
90-120	245.4	0.6%
0-90	40 393.5	98.4%
90-180	664.2	1.6%
0-180	41 057.7	100%

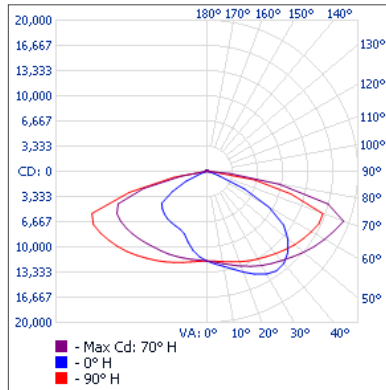
Illuminance at a distance

	Center beam fc	Beam width
17'	30.1 fc	72.3' 194.5'
34'	7.53 fc	144.6' 389.0'
51'	3.34 fc	216.9' 583.5'
68'	1.88 fc	289.2' 778.0'
85'	1.20 fc	361.4' 972.5'
102'	0.84 fc	433.7' 1167.0'

■ Vert. spread: 129.6°
■ Horiz. spread: 160.2°

ALBX-L5A3-W-40K • 57 021.2 lm

Polar candela distribution



Zonal lumen summary

Zone	Lumens	% Fixture
0-30	10 320.2	18.1%
0-40	18 388.1	32.2%
0-60	39 312.9	68.9%
60-90	16 806.1	29.5%
70-100	6 914.5	12.1%
90-120	331.0	0.6%
0-90	56 119.1	98.4%
90-180	902.2	1.6%
0-180	57 021.2	100%

Illuminance at a distance

	Center beam fc	Beam width
17'	41.0 fc	54.7' 119.0'
34'	10.2 fc	109.4' 237.9'
51'	4.56 fc	164.0' 356.9'
68'	2.56 fc	218.7' 475.8'
85'	1.64 fc	273.4' 594.8'
102'	1.14 fc	328.1' 713.7'

■ Vert. spread: 116.3°
■ Horiz. spread: 148.1°

¹ Complete IES files available on our website.

Data is based upon tests performed in a controlled environment. Actual performance can vary depending on operating conditions. All products are subject to change or may be discontinued any time without notice.