

## Series Spec Sheet

# CUB

## STEEL BATTERY UNIT

12 V - 100 W capacity  
120, 277 or 347 VAC Input  
High power LED

The CUB series is designed to provide dependable and efficient emergency lighting in a modern design. The CUB utilizes a sturdy, all steel housing that facilitates quick installation. This series is available in 12 V and provides wattage capacity of 100 W of emergency power.

### FEATURES AND SPECIFICATIONS

#### • Electrical and circuitry

- LED ultra-bright light source
- 120, 277 or 347 VAC input
- Wattage capacity of 100 W
- 30 minutes of emergency power duration is standard
- Infrared feature comes standard
- Pilot LEDs for AC ON and CHARGE
- Fully automatic, current limited charger
- Solid state design and construction
- Brownout and short circuit protection
- Temperature compensated
- Maintenance free, sealed lead acid battery

#### • Mechanical

- 20-gauge steel construction
- Slide out faceplates for rapid and simple installation
- White powder coat finish standard
- PAR18 small style, high impact thermoplastic heads are standard (N)
- Optional heads include die cast metal MR16 type (S)
- Bottom head mounting is standard

#### • Approvals

- CSA certified to C22.2 #141-15

#### • Compliance

- Meets requirements of ICES-005



### OVERVIEW

Light source	LED
Input voltage (VAC)	120, 277 or 347
Output voltage (VDC)	12
Output capacity (W)	100



canadian  
made



LED  
fixture



ICES  
005



For complete warranty details, please see our terms and conditions on our website

**ORDERING GUIDE**

<b>CUB</b>	<b>1</b>	<b>100</b>	<b>0</b>	<b>—</b>				<b>IT</b>	
Series	Volts (V)	Watts (W)	Number of face	Heads quantity	Heads type	Lamp selection	Input voltage (VAC)	Mandatory options	Options
CUB	1 - 12	100 - 100	0 - No face	0 3 4 6 8	Blank - No heads N - PAR18 S - MR16	PAR18: 3WLJ, 4WLJ, 5WLJ MR16: 4WLR, 5WLA, 6WLA, 7WLA	A - 120 E - 277 H - 347	IT - Infrared	ACTB, AT, AUE <sup>1</sup> , DCTB, FD6, LD, RFS, TP

<sup>1</sup> Only available with AT.

**EMERGENCY LIGHTING OPTIONS**

Option	Description
ACTB	AC Terminal Block
AT	Automatic test self-diagnostic
AUE	Audible emergency
DCTB	DC Terminal Block
FD6	6 Circuit Fused Internal Distribution
LD	Lamp disconnect (internal)
RFS	Radio frequency suppression
TP	Tamper proof screws

**MODEL RATINGS**

Model	Volts (V)	Wattage capacities (W)			
		30 min.	60 min.	90 min.	120 min.
CUB1100	12	100	50	33	25

**SPACING GUIDE**

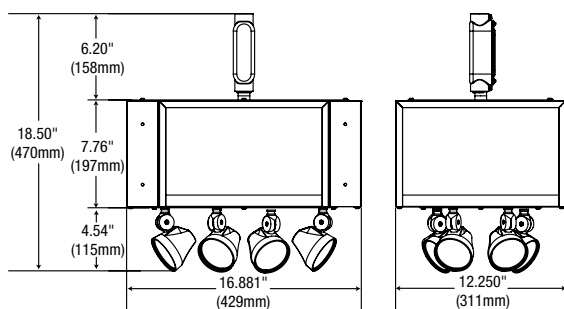
Mounting height	Spacing center to center (ft)						
	3LJ	4LJ	5LJ	4LR	5LA	6LA	7LA
8 ft	78	83	118	76	81	94	108
10 ft	75	76	118	79	79	93	106
15 ft	66	68	104	66	62	82	96
20 ft	53	53	91	53	49	73	87

**LAMP SELECTION**

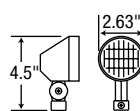
	12 V	
PAR18 Small heads	LED	3LJ, 4LJ, 5LJ
MR16 Small heads c/w MR16 lamp	LED	4LR, 5LA, 6LA, 7LA

**DIMENSIONS**

**WITH PAR18**



**PAR18 HEAD**

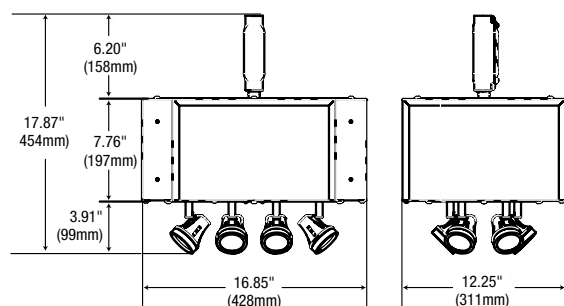


**TYPE N • PAR18**  
Thermostatic  
5 W max.

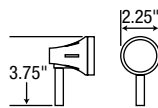
**LUMEN TABLE**

Watts	Lumens
3W LJ	313
4W LJ	388
5W LJ	590
4W LR	388
5W LA	435
6W LA	507
7W LA	652

**WITH MR16**



**MR16 HEAD**



**TYPE S • MR16**  
Die cast  
7 W max.

Data is based upon tests performed in a controlled environment. Actual performance can vary depending on operating conditions. All products are subject to change or may be discontinued any time without notice.