

F2SL4

FLUORESCENT VAPOUR TIGHT

1 lamp

The Stanpro F2SL4 series sealed 4' linear fluorescent luminaire is ideal for a variety of industrial, commercial, vandal resistant applications. The housing is sealed with a uniform gasket that blocks the ingress of moisture and dust and reinforced snap clips lock the luminaire together. Polycarbonate construction makes the luminaire lightweight, flexible, vandal resistant and highly impact resistant. As well, the UV stabilized polycarbonate housing and lens are impervious to rust or rot and is unaffected by extreme temperatures. Installed either indoors or outside, the F2SL4 provides superior light distribution with one T8, T5 or T5HO lamp (not supplied).

FEATURES AND SPECIFICATIONS

• Construction

Ballast

T5 & T5HO: Our fixtures come standard with electronic program start ballasts.¹

T8: Our fixtures come standard with electronic instant start ballasts (not intended for use with occupancy sensors).¹

Housing

- Polycarbonate housing and lens
- A steel ballast mounting plate adds rigidity and facilitates ballast cooling

Reflector

The internal white steel reflector is gullwing shaped for maximum light output

Mounting

- A sealed plastic cable gland included for knockout at one end of the housing
- Stainless steel mounting hardware is included with each luminaire
- Can be surface wall / ceiling mounted with supplied clips. Suspension kit is an option

• Compliance

- Suitable for wet and damp locations
- IP65
- cCSAus
- certified to CSA C22.2 #141
- Flame spread rating FSR85
- Smoke classification SDC430



OVERVIEW

Light source	Fluorescent
Watts (W)	28, 32, 54
Lamp type	T5, T5HO, T8

¹ Dimming ballasts and other ballast types are optional.



ORDERING GUIDE

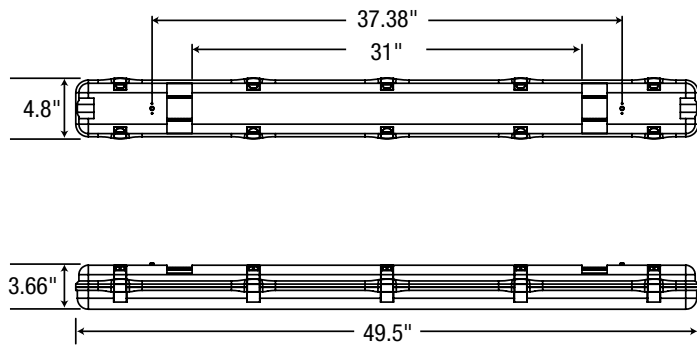
Series	Number of lamps	Lamp type	Watts (W)	Operation	Volts (V)	Options
F2SL4	1 - 1	T8	32 - 32	Blank - AC only DL ¹ - Dual AC & emergency	A - 120 W - 120-277 H - 347	DIM1 ² - Dimming ballast 0-10 V DC DIM2 - Dimming ballast line voltage 120 V HBF - High ballast factor >1.0 (T8 only) LBF - Low ballast factor <0.85 (T8 only) PSP - Program start parallel ballast FRZ ³ - Low ambient starting temperature (-29°C) SR - Specular reflector TAN - Tandem mount FLN - Frosted lens L6 - 6' Power cord L10 - 10' Power cord AC - Aviation cable kit (6")
		T5	28 - 28			
		T5H0	54 - 54			

¹ Available for 120 V, 120-277 V only.

² Available in 120V only.

³ Not available with Program Start T8 ballasts.

DIMENSIONS



Data is based upon tests performed in a controlled environment. Actual performance can vary depending on operating conditions. All products are subject to change or may be discontinued any time without notice.