

Series Spec Sheet

FLEXLED

4" AND 6" LED MODULE KIT

Offering incredible energy and maintenance savings, lasting considerably longer than fluorescents and traditional incandescent lighting, FlexLED modules represent a long-term investment that will last and create an added value to the business, saving time and energy. Suitable for commercial and residential applications such as kitchens, restaurants, living rooms, retail stores, hospitality and more!

FEATURES AND SPECIFICATIONS

• Construction

Physical Characteristics

- Trim finish white, black, grey and brushed aluminum
- High quality die cast aluminium housing
- Available in 4" and 6" round and square

Mounting

- Quick and tool-less twist and lock installation

• Performance data

- Available in 2 700 K, 3 000 K, 4 000 K single color temperature
- 90+ CRI
- 120 V
- Estimated lifespan of 50 000 hours to L70
- Phase cut (ELV / Triac) dimming standard

• Compliances

- cULus listed
- Wet locations
- Energy Star
- Airtight as per ASTM E283 standard
- IC rated for direct contact with insulation
- Fire and sound rated only for the 6" junction box frame-in kit (66011 and 63310)

OVERVIEW

Light source	LED
Watts (W)	11.8 and 14.7
Lumen output (lm)	750 and 1 000
Efficiency (lm/W)	64 - 68
Color temperature (K)	2 700, 3 000, 4 000
CRI	90+



quick
ship



LED
fixture



dimmable
fixture



airtight



wet
location



IC
rated



fire
rated



¹ Only available with the FlexLED Junction Box Frame-in Kit

QUICK SHIP AND TECHNICAL SPECIFICATION TABLE PROMO KITS ☰¹

Order code	Description	Watts (W)	Volts (VAC)	Color temp. (K) ²	Lumen output (lm) ³	Efficiency (lm/W)	CRI	Life L70 (hrs) ⁴	Beam angle (°)	Shape	Finish	Power factor	THD (%)	Trim	Housing	LED module
4" Round																
FlexLED Remodeler Kit																
66012	K/FLXLED/11.8W/30K/4TRM/SM/WH/REMOD/STD	11.8	120	3 000	750	64	90+	50 000	88	Round	White - Smooth trim	>0.9	<20	63275	63311	63222
66013	K/FLXLED/11.8W/30K/4TRM/BAF/WH/REMOD/STD	11.8	120	3 000	750	64	90+	50 000	88	Round	White - Baffle trim	>0.9	<20	63277	63311	63222
6" Round																
FlexLED Junction Box Frame-in Kit																
66011	K/FLXLED/11.8W/30K/6TRM/WH/JBOX FRME/STD	11.8	120	3 000	750	64	90+	50 000	88	Round	White	>0.9	<20	63292	63310	63222

¹ QUICK SHIP: Product availability is subject to change without notice. Please contact your Stanpro customer service representative to confirm inventory levels at time of order.

² Typical color temperature range: +/- 5 %.

³ Lumens values from Energy Star reported data.

⁴ Life hours are derived from IESNA LM-80-08 testing report and projected per IESNA TM-21-11 extrapolations.

QUICK SHIP AND TECHNICAL SPECIFICATION TABLE LED MODULES ☰¹

Order code	Model number	Watts (W)	Volts (VAC)	Color temp. (K) ²	Lumen output (lm) ³	Efficiency (lm/W)	CRI	Life L70 (hrs) ⁴	Beam angle (°)	Shape	Power factor	THD (%)
63221	LED/MOD/11.8W/27K/STD	11.8	120	2700	750	64	90	50 000	86	Round	≥0.9	<20
63222	LED/MOD/11.8W/30K/STD	11.8	120	3000	750	64	90	50 000	86	Round	≥0.9	<20
63223	LED/MOD/11.8W/40K/STD	11.8	120	4000	750	64	90	50 000	86	Round	≥0.9	<20
63224	LED/MOD/14.7W/27K/STD	14.7	120	2700	1000	68	90	50 000	86	Round	≥0.9	<20
63226	LED/MOD/14.7W/40K/STD	14.7	120	4000	1000	68	90	50 000	86	Round	≥0.9	<20

¹ QUICK SHIP: Product availability is subject to change without notice. Please contact your Stanpro customer service representative to confirm inventory levels at time of order.

² Typical color temperature range: +/- 5 %.

³ Lumens values from Energy Star reported data.

⁴ Life hours are derived from IESNA LM-80-08 testing report and projected per IESNA TM-21-11 extrapolations.

QUICK SHIP AND TECHNICAL SPECIFICATION TABLE TRIMS ☰¹

Order code	Model number	Size (in)	Type	Aperture	Finish
63275	RFL4/TR/REC/WH/STD	4	Smooth	Round	White
63276	RFL4/TR/REC/BLK/STD	4	Smooth	Round	Black
63277	RFL4/TR/REC/BAF/WH/STD	4	Baffle	Round	White
63292	RFL6/TR/SLML/WH/STD	6	Slim	Round	White
63293	RFL6/TR/SLML/BLK/STD	6	Slim	Round	Black

¹ QUICK SHIP: Product availability is subject to change without notice. Please contact your Stanpro customer service representative to confirm inventory levels at time of order.

Data is based upon tests performed in a controlled environment. Actual performance can vary depending on operating conditions. All products are subject to change or may be discontinued any time without notice.

QUICK SHIP AND TECHNICAL SPECIFICATION TABLE HOUSINGS  1

Order code	Model number	Size (in)	Type	Finish
63310 ²	RF4IN/JUNCBOX/STD	4	Junction box	n/a
63311	RF4IN/REM0D/IC/QC/STD	4	Remodeler IC	Black

¹ **QUICK SHIP:** Product availability is subject to change without notice. Please contact your Stanpro customer service representative to confirm inventory levels at time of order.

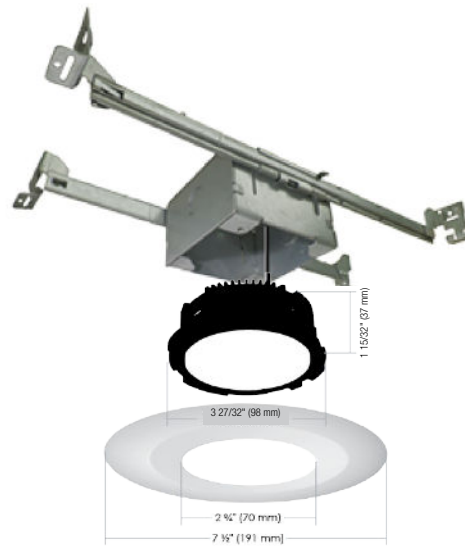
² Fire and sound rated only compatible with a 6" trim.

DIMENSIONS

4" FlexLED Remodeler Kit



6" FlexLED Junction Box Frame-in Kit

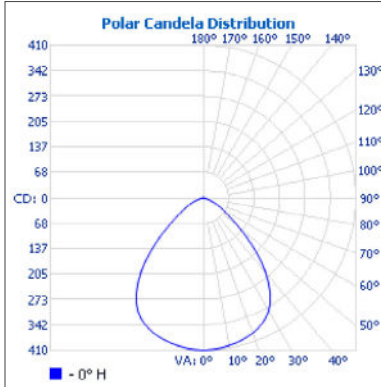


Data is based upon tests performed in a controlled environment. Actual performance can vary depending on operating conditions. All products are subject to change or may be discontinued any time without notice.

PHOTOMETRIC DATA¹

66013 • K/FLXLED/11.8W/30K/4TRM/BAF/WH/REMOD/STD • 795.3 lm

Polar candela distribution



Zonal lumen summary

Zone	Lumens	% Fixture
0-30	322.3	40.5%
0-40	515.9	64.9%
0-60	743.9	93.5%
60-90	51.4	6.5%
70-100	14.1	1.8%
90-120	0	0%
0-90	795.3	100%
90-180	0	0%
0-180	795.3	100%

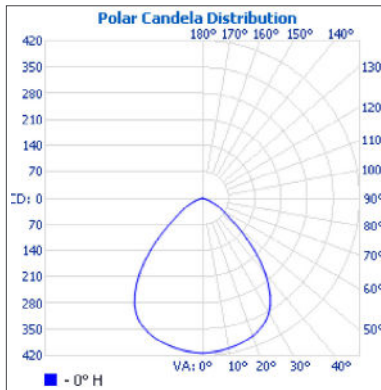
Illuminance at a distance

Center beam fc		Beam width
1.7'	142	
3.3'	37.6	6.4'
5.0'	16.4	9.7'
6.7'	9.13	13.0'
8.3'	5.95	16.1'
10.0'	4.10	19.5'

■ Vert. spread: 88.4°

66012 • K/FLXLED/11.8W/30K/4TRM/SM/WH/REMOD/STD • 799.6 lm

Polar candela distribution



Zonal lumen summary

Zone	Lumens	% Fixture
0-30	325.8	40.8%
0-40	520.8	65.1%
0-60	749.4	93.7%
60-90	50.2	6.3%
70-100	13.3	1.7%
90-120	0	0%
0-90	799.6	100%
90-180	0	0%
0-180	799.6	100%

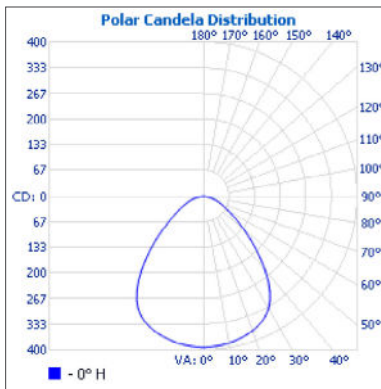
Illuminance at a distance

Center beam fc		Beam width
1.7'	143	
3.3'	37.9	6.4'
5.0'	16.5	9.7'
6.7'	9.20	13.0'
8.3'	6.00	16.1'
10.0'	4.13	19.4'

■ Vert. spread: 88.3°

66011 • K/FLXLED/11.8W/30K/6TRM/WH/JBOX FRME/STD • 820.4 lm

Polar candela distribution



Zonal lumen summary

Zone	Lumens	% Fixture
0-30	310.5	37.9%
0-40	496.6	60.5%
0-60	736.4	89.8%
60-90	83.9	10.2%
70-100	29.4	3.6%
90-120	0	0%
0-90	820.4	100%
90-180	0	0%
0-180	820.4	100%

Illuminance at a distance

Center beam fc		Beam width
1.7'	136	
3.3'	36.1	6.5'
5.0'	15.7	9.8'
6.7'	8.76	13.2'
8.3'	5.71	16.3'
10.0'	3.93	19.6'

■ Vert. spread: 89.0°

¹ Complete IES files available on our website.

Data is based upon tests performed in a controlled environment. Actual performance can vary depending on operating conditions. All products are subject to change or may be discontinued any time without notice.