



**EYE LIGHTING
INTERNATIONAL**



**HIGH PRESSURE
SODIUM LAMPS**

STANDARD[®]



Ignitron™ EN

High pressure sodium with internal ignitor

Reduces maintenance costs

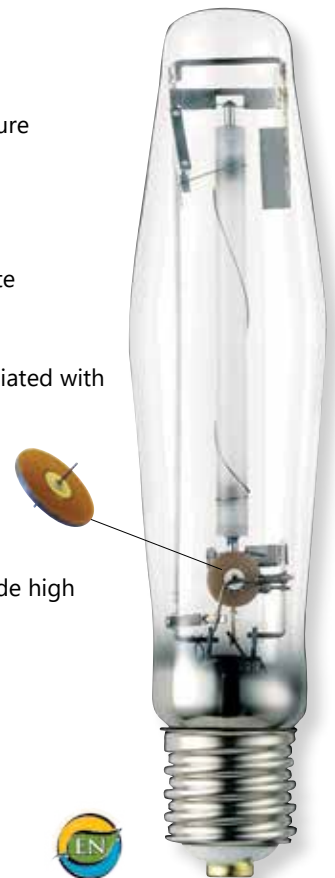
- EYE patented FEC eliminates ignitor replacement and maintenance labour costs, and protects fixture components from high voltage pulsing at the end of lamp life
- 35 000 hours average rated life on most wattages
- Long life performance backed up by a manufacturer's limited warranty; up to 3 years
- Environmentally friendly in that Ignitron lamps pass EPA, TCLP test criteria as non-hazardous waste
 - Lead free base
 - Low mercury content
- Nickel-plated base will not seize in the socket eliminating additional labour and spare parts associated with prying a lamp base out of a fixture socket

FEC Technology

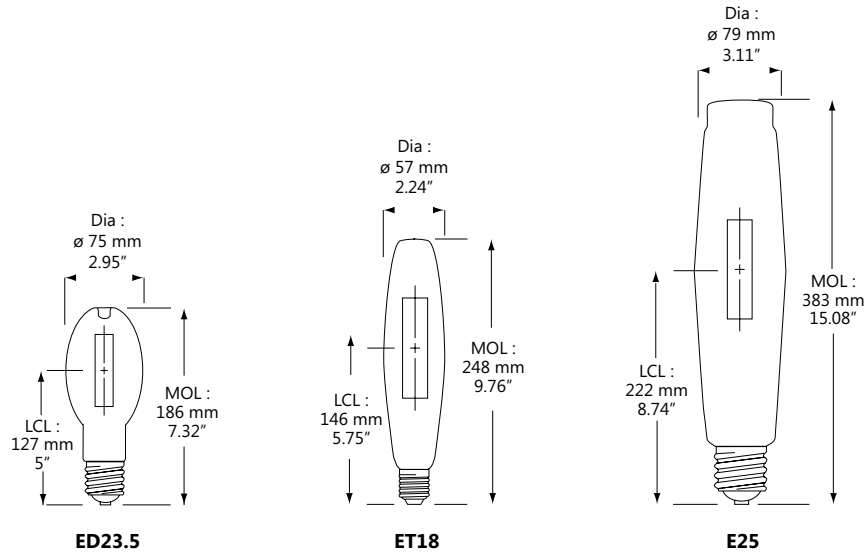
- EYE patented Ferro-Electric Capacitor (FEC)
- The FEC generates a starting pulse to gently ignite the Ignitron lamp
- The FEC is the first (and only) high temperature, ceramic starting device capable of operating inside high intensity discharge lamps where temperatures approach 600 °F (315 °C) during operation

Applications

- Street/highway lighting
- Warehouse lighting
- Parking areas
- Security



Ignitron™ EN



Order code	Description	Watts (W)	Shape	Base	ANSI code	Colour temp. (K)	CRI	Average life (hrs)	Initial lumens (lm)	Mean lumens (lm)	Burn pos.	Finish	Case qty
15056	LU50/I/EN EYE	50	ED23.5	E39	S68	1 900	17	28 500	4 000	3 600	U	Clear	12
15058	LU70/I/EN EYE	70	ED23.5	E39	S62	1 900	17	35 000	6 000	5 400	U	Clear	12
15046	LU100/I/EN EYE	100	ED23.5	E39	S54	1 900	17	35 000	9 500	8 550	U	Clear	12
15048	LU150/55/I/EN EYE	150	ED23.5	E39	S55	1 900	17	35 000	16 000	14 400	U	Clear	12
15050	LU200/I/EN EYE	200	ET18	E39	S66	2 100	25	35 000	22 000	19 800	U	Clear	12
15052	LU250/I/EN EYE	250	ET18	E39	S50	2 100	25	35 000	28 500	25 600	U	Clear	12
58800	LU310/I/EN EYE	310	ET18	E39	S67	2 100	22	35 000	37 000	33 000	U	Clear	12
15054	LU400/I/EN EYE	400	ET18	E39	S51	2 100	25	35 000	50 000	45 000	U	Clear	12

NOTE: External ignitor must be removed before installing the EYE Ignitron EN lamp. See instructions for disabling UL classified starter/ignitor and luminaire conversion for Ignitron lamps on our web site (www.standardpro.com) in the literature section.

WARNING:

1. EYE Ignitron are high pressure sodium lamps that operate on a standard high pressure sodium lamp ballast without an external ignitor. Compatible with ballast for the ANSI lamp code shown. Lamps do not require an external starting pulse.
 2. Disconnect the external ignitor in the operating circuit.
 3. For remote applications, the cable from the lamp to the ballast should be limited to 15 m (50 feet) maximum length for lamps less than 150 W and up to 25 m (80 feet) for all lamps rated 200 W and above, because of reduction of pulse volts.
- For other warnings and operating instructions please see the EYE Lighting Product Catalog.

WARRANTY:

2 Year Warranty: 15054 & 15056
 3 Year Warranty: 15058, 15046, 15048, 15050, 15052 & 58800



Sunlux® EN Sunlux®

- Medium and mogul base lamps in a wide range of wattages
- Nickel-plated base will not seize in the socket
- Constructed with EYE specified, critical to performance arc tube materials (PCA-ceramic tube, frit sealing glass, electrode emitter)
- Sunlux EN lamps pass the EPA TCLP test criteria as non-hazardous waste
 - Lead free base
 - Low mercury content

Long life performance

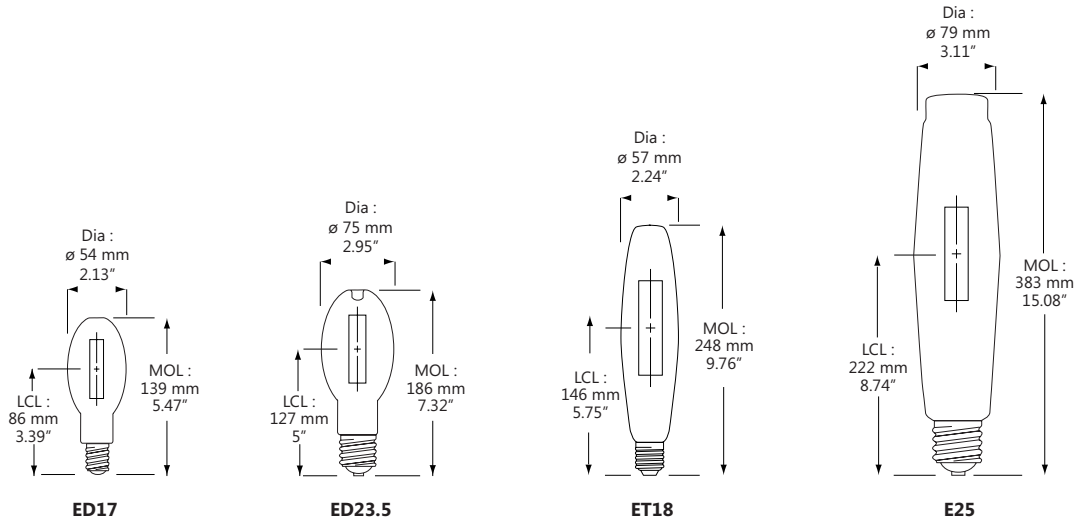
All EYE high pressure sodium lamps are designed and manufactured to EYE quality specifications to ensure long life performance (up to 24 000+ hours rated life).

Applications

- Roadway/streets
- Parking lots
- Industrial
- Warehouses



Sunlux® EN Sunlux®



Order code	Description	Watts (W)	Shape	Base	ANSI code	Colour temp. (K)	CRI	Average life (hrs)	Initial lumens (lm)	Mean lumens (lm)	Burn pos.	Finish	Case qty
Sunlux													
62654	LU35/MED LT EYE	35	ED17	E26	S76	1 900	22	16 000	2 250	2 050	U	Clear	12
62657	LU50/MED LT EYE	50	ED17	E26	S68	1 900	22	24 000	4 000	3 600	U	Clear	12
62659	LU70/MED LT EYE	70	ED17	E26	S62	1 900	22	24 000	6 300	5 350	U	Clear	12
62648	LU100/MED LT EYE	100	ED17	E26	S54	2 100	22	24 000	9 500	8 000	U	Clear	12
62651	LU150/MED LT EYE	150	ED17	E26	S55	2 100	22	24 000	15 800	13 400	U	Clear	12
Sunlux EN													
62656	LU 50/EN LT EYE	50	ED23.5	E39	S68	1 900	22	24 000 +	4 000	3 600	U	Clear	12
62658	LU70/EN LT EYE	70	ED23.5	E39	S62	1 900	22	24 000 +	6 300	5 500	U	Clear	12
62646	LU100/EN LT EYE	100	ED23.5	E39	S54	1 900	22	24 000 +	9 500	8 000	U	Clear	12
62650	LU150/55/EN LT EYE	150	ED23.5	E39	S55	1 900	22	24 000 +	16 000	13 800	U	Clear	12
62652	LU200/EN LT EYE	200	ET18	E39	S66	2 100	22	24 000 +	22 000	19 800	U	Clear	12
62653	LU250/EN LT EYE	250	ET18	E39	S50	1 900	22	24 000 +	28 000	26 100	U	Clear	12
62655	LU400/EN LT EYE	400	ET18	E39	S51	1 900	22	24 000 +	50 000	45 000	U	Clear	12
62649	LU1000B/EN LT EYE	1 000	E25	E39	S52	2 100	25	24 000 +	140 000	126 000	U	Clear	6

WARNING: For warnings and operating instructions please see the EYE Lighting product catalog. All information subject to change without notice.



1-800-361-6965
www.standardpro.com

PRINTED IN CANADA. SUBJECT TO CHANGE WITHOUT NOTICE. COPYRIGHT © STANDARD PRODUCTS INC. 2019.
ALL RIGHTS RESERVED. HID2014_EYE_HPS_BROCHURE_EN

