

## HXZ-L DECO SUSPENDED LED

Family of decorative suspended LED luminaires for general illumination in medium to high ceiling applications such as offices malls and retail spaces where long life and energy efficient LED operation is desirable.

### FEATURES AND SPECIFICATIONS

#### • Construction

##### LED source

Efficient Chip-on-Board (CoB) Technology with an 80+ CRI, neutral white color respecting a 3-step MacAdam Ellipse.

##### Optics

Incorporated silicone lens optics offering a superior light distribution. High Bay type light beam with a viewing angle up to 75° and an efficacy of 93%.

##### Thermal management

Discrete heat sinks provide optimal thermal management, extended longevity and superior performance of the fixture.

##### Housing

Extruded and anodized aluminum housing. The luminaire includes decorative rods and lens with center hole for a clean line design.

#### Reflector

The prismatic frosted UV-stabilized 16" reflector is a practical and aesthetic solution for public areas. The acrylic reflector produces a soft, diffused glow to put the right light in the area.

#### Driver

0-10 V dimming driver is standard. See ordering guide for dimming cable option.

#### Ambient temperature

S1 : -20°C to +25°C  
S2, S3 : -40°C to +25°C

#### Mounting and cable

Junction box with hook is standard. A 4' white power cable is installed on the luminaire.

#### • Compliances

- Suitable for damp locations
- CSA Certified to C22.2 #250
- UL1598
- UL8750



### OVERVIEW

Light source	LED
Watts (W)	37 - 84
Lumen output (lm)	3 223 - 8 003
Efficacy (lm/W)	83 - 109
Color temperature (K)	2 700, 3 000, 3 500, 4 000
CRI	80+



**ORDERING GUIDE**

HXZ	L				
Series	Lamp type	Lumen package	Volts (V)	Color temp. (K)	Options
HXZ	L - LED	S1 } S2 } S3 } Refer to the technical specification table for more details	W - 120-277 H - 347	27K - 2 700 30K - 3 000 35K - 3 500 40K - 4 000	AC - Aviation suspension cable (6') CC <sup>1</sup> - Coiled power cord (277 V max) U347 - Male 347 V twist lock plug PM-075 - Pendant mount 3/4" NPT DIM1 - 0-10 V external dimming wires ready to connect CLR - Clear reflector HCRI - High CRI 90+ L6 - 6' cable length (white) L10 - 10' cable length (white)

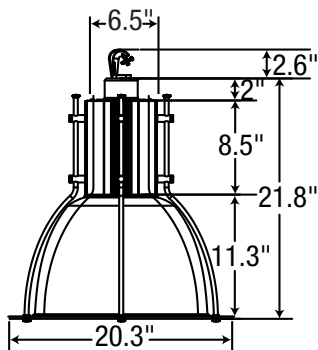
<sup>1</sup> AC option must also be selected when choosing this option.

**TECHNICAL SPECIFICATION TABLE**

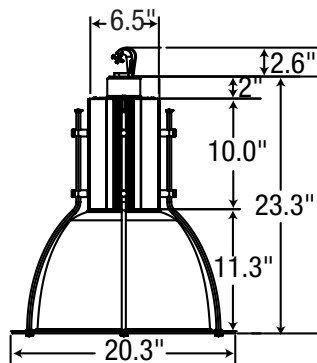
Lumen package	Watts (W)	Volts (V)	2 700 K		3 000 K		3 500 K		4 000 K	
			Lumen (lm)	Efficacy (lm/W)	Lumen (lm)	Efficacy (lm/W)	Lumen (lm)	Efficacy (lm/W)	Lumen (lm)	Efficacy (lm/W)
S1	37	120-277 347	3 223	88	3 335	91	3 489	96	3 530	97
S2	57		5 428	95	5 875	103	6 119	107	6 224	109
S3	84		6 977	83	7 549	90	7 863	94	8 003	95

**DIMENSIONS**

S1



S2 & S3



Data is based upon tests performed in a controlled environment. Actual performance can vary depending on operating conditions. All products are subject to change or may be discontinued any time without notice.