

Series Spec Sheet

I

INDUSTRIAL REMOTE HEAD

NEMA 4X LED

The I series of industrial remote heads are ideal for applications requiring maximum light output. It offers a brightness of up to 1 500 lumens which is perfect for high ceilings and long tunnels. Its cast aluminum housing is rated Nema 4x which makes it resistant to corrosion and wet environments.

FEATURES AND SPECIFICATIONS

• Mechanical

- Die cast, solid aluminum housing
- Impact resistant acrylic lens
- Stainless steel mounting hardware
- Fully gasketed for protection against wet and dust-filled environments
- LED lamps available in 12 to 24VDC
- Suitable for installation both indoors and outdoors
- White color is standard, black is optional

• Compliances

- CSA Certified to C22.2 #141-15
- Meets requirements of ICES-005

OVERVIEW

Light source	LED
DC voltage (VDC)	12, 24



For complete warranty details, please see our terms and conditions on our website.

TYPICAL SPECIFICATION



TYPICAL SPECIFICATION

Remote head shall be Die cast, solid aluminum housing, fully adjustable for maximum spacing both tilt and swivel, fully gasketed for protection against wet and dust-filled environments and be 0 V, 0 W, 0 lumens. The LED's, lens and circuit boards shall be fully integrated in the molded shell to ensure extended life and maximum performance. Fixture shall be supplied with a canopy for installation on any four-inch octagon box. The remote fixtures shall be certified to CSA 22.2 No.141-15, NEMA4X rated and be ICES005 compliant. The remote unit shall be Stanpro model: | _____

Data is based upon tests performed in a controlled environment. Actual performance can vary depending on operating conditions. All products are subject to change or may be discontinued any time without notice.

ORDERING GUIDE

Series	Nbr of heads	Volts (VDC operational)	Watts (W)	Lamp type	Color	Options
I	1 - Single head 2 - Double head	12-24V - 12 to 24	5W - 5 9W - 9 14W - 14	LJ - LED array	WH - White (standard) BK - Black	LCP - Less Canopy TP - Tamperproof screw

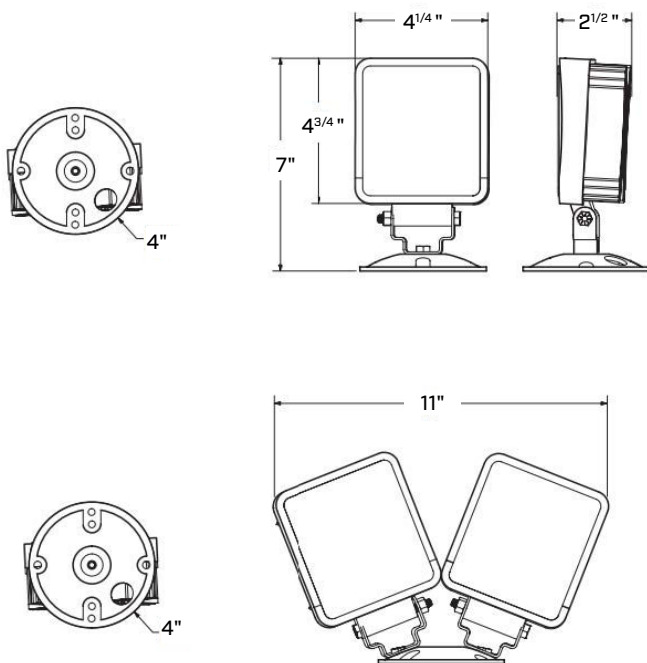
PHOTOMETRY PERFORMANCE

LED	Lamp type	Lumen output (lm)	Efficiency (lm/W)
5W	LJ	630	126
9W	LJ	1100	122
14W	LJ	1460	104

SPACING GUIDE

Mounting height	Spacing centre to centre (feet)		
	5 W	9 W	14 W
8 ft	113	165	199
10 ft	110	160	194
15 ft	99	147	178
20 ft	86	133	164

DIMENSIONS



Data is based upon tests performed in a controlled environment. Actual performance can vary depending on operating conditions. All products are subject to change or may be discontinued any time without notice.