

IFS-L UNDER CANOPY AND GARAGE LIGHT

The IFS-L is an efficient under canopy and garage light. Its rugged construction easily installs on junction boxes and is available in 2 lumen packages. High quality thermal heat sinks dissipate the LED heat and insure reliable long life. This luminaire is a great addition to any commercial or industrial application.

FEATURES AND SPECIFICATIONS

• Construction

Housing

Made in an aluminum die cast housing with high quality thermal heat sinks to dissipate LED heat and insure reliable long life. S1 package come with four ½" side conduit entries and the S2 package comes with three entries.

Mounting options

Easily installs to junction boxes, can be mounted directly to the ceiling and also via pendant mount. Comes with three entries.

Lens

Outfitted with a polycarbonate impact resistant frosted lens for even light distribution and uniformity.

• Electrical

- Internal electrical components are fastened to the die cast housing for efficient heat dissipation. LED driver is rated for 120-347 V, 50/60 Hz and by 0-10 V dimmable
- Available in 4 000 K and 5 000 K color temperature with a lumen per watt ratio ranging from 124 to 131 lm/W depending on the lumen package being used
- Ambient operating temperature range from -40°C to +40°C
With OSI: -35°C to +40°C
- 2 KV surge protection included
- Replaces up to a 175 W metal halide equivalent

• Compliances

- IP65
- cULus listed for wet location



OVERVIEW

Light source	LED
Watts (W)	40, 60
Lumen output (lm)	4 882 - 7 581
Efficacy (lm/W)	124 - 131
Color temperature (K)	4 000, 5 000
Weight (lbs)	24 - 27



quick
ship



LED
fixture



dim
mable
fix
ture



wet
lo
ca
tion



IP
65



Not all products are qualified on the DLC QPL. To view our DLC qualified products, please consult the DLC Qualified Products List at www.designlights.org/search.

QUICK SHIP AND TECHNICAL SPECIFICATION TABLE  ¹

Order code	Model number	DLC unique ID	Watts (W)	Volts (V CA)	Color temp. (K) ²	Lumen output (lm) ³	Efficacy (lm/W)	CRI	Life L70 (hrs) ⁴	LED current (mA)	Power factor	THD (%)	Traditional equivalent (W)	Case qty (master)
68014	IFS-LS1-W/50K-BZ	PLZZZHMT40EY	40	120-277	5 000	4924	131	80+	>54000	0.33-0.14	0.96	12.9	100	6
68015	IFS-LS1-Q/40K-BZ	PLSLXGKD02TO	40	120-347	4 000	5113	128	80 +	>54000	0.34-0.12	0.93	17.6	100	6
68016	IFS-LS1-Q/50K-BZ	PLW4I5NT1NN3	40	120-347	5 000	5155	129	80 +	>54000	0.34-0.12	0.95	17.6	100	6
68017	IFS-LS2-Q/40K-BZ	PL96I8K0LPWI	60	120-347	4 000	7581	128	80 +	>54000	0.51-0.18	0.95	15	175	4

¹ **QUICK SHIP:** Product availability is subject to change without notice. Please contact your Stanpro customer service representative to confirm inventory levels at time of order.

² Typical color temperature range: +/- 5 %.

³ Lumen values are derived from photometric testing. Initial lumens range: +/- 10 %.

⁴ Life hours are derived from IESNA LM-80-08 testing report and projected per IESNA TM-21-11 extrapolations.

ORDERING GUIDE

Series	Lamp type	Lumen packages (W)	Volts (V)	Color temp. (K)	Casting color	Options
IFS	L - LED	S1 - 40 S2 - 60	W - 120-277 Q - 120-347	40K - 4 000 50K - 5 000	BZ - Bronze (standard) BK - Black WH - White SP - Special color	P127 - 120-277 V button type photocell OS - Microwave sensor

ACCESSORIES (order separately)

Part number	Description
PH0008	347 V button type photocell

Data is based upon tests performed in a controlled environment. Actual performance can vary depending on operating conditions. All products are subject to change or may be discontinued any time without notice.

ON-OFF SENSORS

Part number	Position	Volts (V)	Technology	Height (ft max)	Detection Area (%)	Hold time (min)	Daylight min level	Remote ²	Location (°C)
OSI-F0-0601	Internal	120-347	High Frequency	25	100	30	Disable	68681	Dry and wet, -35 to 70
OSI-F0-0602	Internal	120-347	High Frequency	25	100	15	Disable	68681	Dry and wet, -35 to 70

BI-LEVEL SENSORS

Part number	Position	Volts (V)	Technology	Height (ft max)	Detection Area (%)	Hold time (min)	Stand-by Dim level (%)	Daylight min level	Remote ²	Location (°C)
OSI-FB-0601	Internal	120-347	High Frequency	25	100	30	30	Disable	68681	Dry and wet, -35 to 70
OSI-FB-0602	Internal	120-347	High Frequency	25	100	30	10	Disable	68681	Dry and wet, -35 to 70
OSI-FB-0603	Internal	120-347	High Frequency	25	100	15	40	Disable	68681	Dry and wet, -35 to 70
OSI-FB-0604	Internal	120-347	High Frequency	25	100	30	40	Disable	68681	Dry and wet, -35 to 70
OSI-FB-0605	Internal	120-347	High Frequency	25	100	15	30	Disable	68681	Dry and wet, -35 to 70
OSI-FB-0606	Internal	120-347	High Frequency	25	100	15	10	Disable	68681	Dry and wet, -35 to 70
OSI-FB-0607	Internal	120-347	High Frequency	25	100	10	20	Disable	68681	Dry and wet, -35 to 70

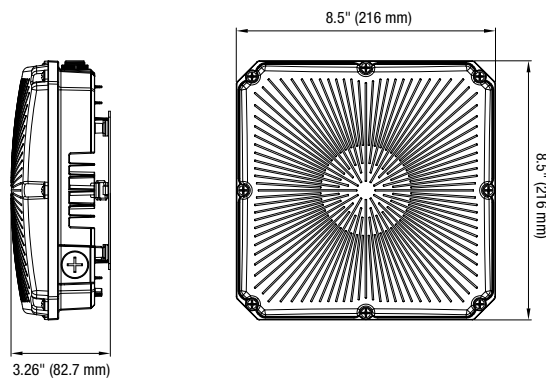
TRI-LEVEL SENSORS

Part number	Position	Volts (V)	Technology	Height (ft max)	Detection Area (%)	Hold time (min)	Stand-by Dim level (%)	Stand-by period (min)	Daylight min level	Remote ²	Location (°C)
OSI-FT-0601	Internal	120-347	High Frequency	25	100	30	30	10	Disable	68681	Dry and wet, -35 to 70

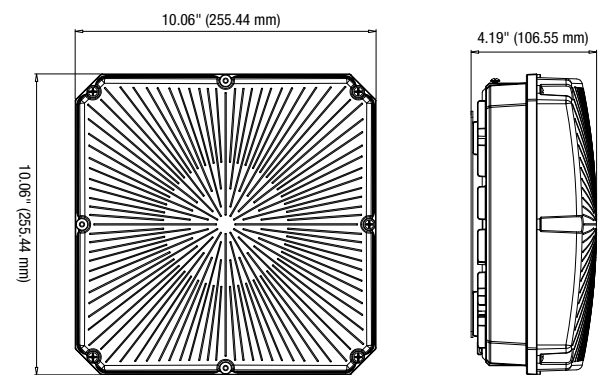
²To be ordered separately

DIMENSIONS

S1



S2

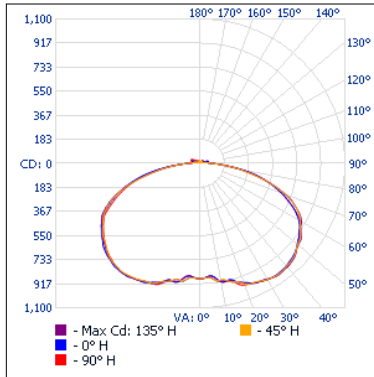


Data is based upon tests performed in a controlled environment. Actual performance can vary depending on operating conditions. All products are subject to change or may be discontinued any time without notice.

PHOTOMETRIC DATA

68013 • IFS-LS1-W/40K-BZ • 4 811.6 lm

Polar candela distribution



Zonal lumen summary

Zone	Lumens %	Lamp %
0-30	811.3	16.9%
0-40	1 453.7	30.2%
0-60	3 044.7	63.3%
60-90	1 560.4	32.4%
70-100	861.6	17.9%
90-120	157.3	3.3%
0-90	4 605.1	95.7%
90-180	206.3	4.3%
0-180	4 811.4	100%

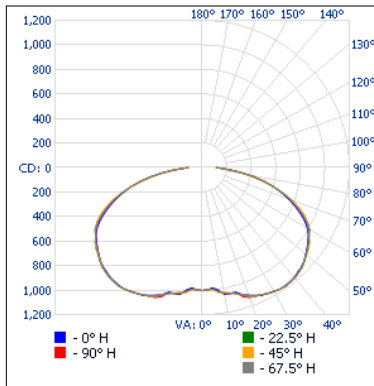
Illuminance at a distance

Center beam fc		Beam width	
17'	3.03 fc	117.2'	114.9'
34'	0.76 fc	234.4'	229.9'
51'	0.34 fc	351.7'	344.8'
68'	0.19 fc	468.9'	459.8'
85'	0.12 fc	586.1'	574.7'
102'	0.08 fc	703.3'	689.6'

Vert. spread: 147.7°
Horiz. spread: 147.0°

68014 • IFS-LS1-W/50K-BZ • 5 294.7 lm

Polar candela distribution



Zonal lumen summary

Zone	Lumens %	Lamp %
0-30	931.7	17.6%
0-40	1 670.8	31.6%
0-60	3 505.2	66.2%
60-90	1 789.5	33.8%
0-90	5 294.7	100%

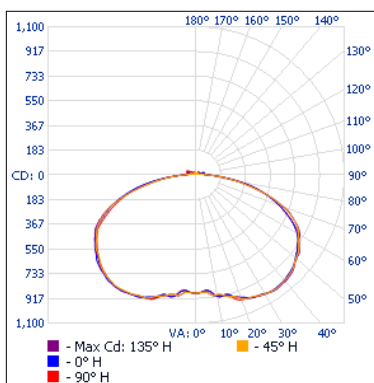
Illuminance at a distance

Center beam fc		Beam width	
8.3'	14.6 fc	57.6'	55.9'
16.7'	3.60 fc	115.9'	112.5'
25.0'	1.60 fc	173.5'	168.4'
33.3'	0.90 fc	231.0'	24.3'
41.7'	0.58 fc	289.3'	280.9'
50.0'	0.40 fc	346.9'	336.8'

Vert. spread: 147.8°
Horiz. spread: 146.9°

68017 • IFS-LS2-Q/40K-BZ • 7 624.4 lm

Polar candela distribution



Zonal lumen summary

Zone	Lumens %	Lamp %
0-30	1 266.9	16.6%
0-40	281.9	29.9%
0-60	4 806.0	63%
60-90	2 472.7	32.4%
70-100	1 365.2	17.9%
90-120	269.9	3.5%
0-90	7 278.7	95.5%
90-180	345.8	4.5%
0-180	7 624.4	100%

Illuminance at a distance

Center beam fc		Beam width	
8.3'	19.4 fc	50.1'	62.6'
16.7'	4.80 fc	100.8'	125.9'
25.0'	2.14 fc	150.9'	188.5'
33.3'	1.21 fc	201.0'	251.0'
41.7'	0.77 fc	251.8'	314.3'
50.0'	0.54 fc	301.9'	376.9'

Vert. spread: 143.3°
Horiz. spread: 150.3°

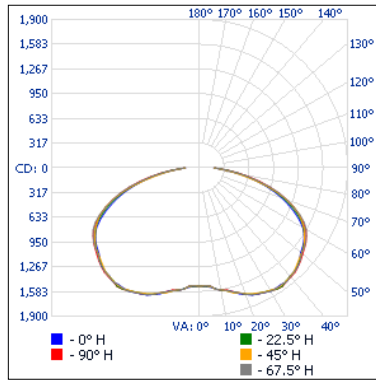
¹ Complete IES files available on our website.

Data is based upon tests performed in a controlled environment. Actual performance can vary depending on operating conditions. All products are subject to change or may be discontinued any time without notice.

PHOTOMETRIC DATA¹

68018 • IFS-LS2-Q/50K-BZ • 8 146.6 lm

Polar candela distribution



Zonal lumen summary

Zone	Lumens %	Lamp %
0-30	1 438.9	17.7%
0-40	2 587.3	31.8%
0-60	5 427.6	66.6%
60-90	2 719.0	33.4%
0-90	8 146.6	100%

Illuminance at a distance

	Center beam fc		Beam width	
	8.3'	22.0 fc	47.6'	62.0'
16.7'	5.43 fc	95.7'	124.8'	
25.0'	2.42 fc	143.2'	186.8'	
33.3'	1.37 fc	190.8'	248.8'	
41.7'	0.87 fc	238.9'	311.5'	
50.0'	0.61 fc	286.5'	373.6'	

■ Vert. spread: 141.5°
■ Horiz. spread: 150.0°

¹ Complete IES files available on our website.

Data is based upon tests performed in a controlled environment. Actual performance can vary depending on operating conditions. All products are subject to change or may be discontinued any time without notice.