

INC6 - INC6R

6" NON-IC FRAME-IN KIT, IC FRAME-IN KIT OR NON-IC REMODELER FOR INCANDESCENT OR LED LAMPS

INC6

6" aperture frame-in kit for incandescent or LED lamps. Designed for use in non-insulated (INC6) ceiling applications for general and task lighting.

INC6R

6" aperture remodeler for incandescent or LED lamps. Designed to permit wiring from below the ceiling line in non-insulated ceiling applications for general and task lighting.

FEATURES AND SPECIFICATIONS

• Construction

Housing

- Adjust for ceilings up to 1-1/4" thick.
- Designed for PAR30, PAR38, A19 incandescent or LED lamps (no transformer). Max. 150W.

Reflectors/ Trims

Please see selection on INC6 /INC6R trims page.

Socket

Medium base porcelain with nickel-plated copper screw shell.

Junction box

Listed for through branch circuit wiring. (5) 1/2" knockouts with true pry-out slots and (4) knockouts with Romex cable clamp. Ground wire provided on J-box.

Hanger bars¹

Pre-installed hanger bars for 24" span with built-in nailers and T-bar clips.

Remodeler clips²

3 clips secure housing in the ceiling.

Ceiling cut-out

- INC6: 6-1/2"
- INC6R: 6-3/8"

• Compliances

UL listed to CSA C22.2 #250 and UL1598



¹ Available only for INC6.
² Available only for INC6R.

ORDERING GUIDE - TRIMS¹

Trims	Lamp type	Reflector	Baffle	Gimbal	Lens	Flange
INC62 -	PAR30 - PAR38 -	N/A	WH - White	N/A	N/A	WH - White
INC63 -			N/A	SN- Satin nickel WH - White		N/A

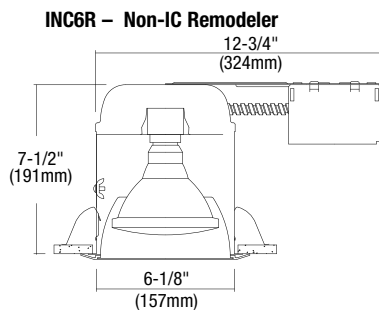
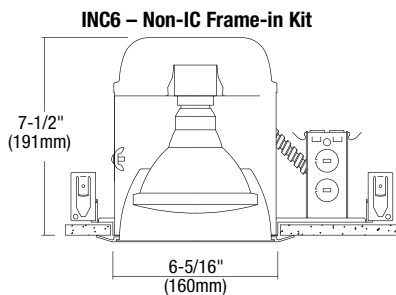
¹**QUICK SHIP:** Product availability is subject to change without notice. Please contact your Stanpro customer service representative to confirm inventory levels at time of order.

ORDERING GUIDE - HOUSINGS¹

Aperture	Lamp type	Watts (W)	Volts (VAC)
INC6 - Frame-in kit INC6R - Remodeler	N- Incandescent	0150 - 150	A - 120

¹**QUICK SHIP:** Product availability is subject to change without notice. Please contact your Stanpro customer service representative to confirm inventory levels at time of order.

DIMENSIONS



Data is based upon tests performed in a controlled environment. Actual performance can vary depending on operating conditions. All products are subject to change or may be discontinued any time without notice.