

## Series Spec Sheet

# L3CBA GEN. 2

## LED RECESSED CENTER BASKET 3 CCT AND 3 POWER SELECTABLE 1'X4', 2'X2', 2'X4'

Stanpro's L3CBA offers a classic look with all the necessary features to make it the perfect product for your commercial lighting applications. With its 120-347 V and its 3 CCT and 3 power selectable features, it makes it the simple choice for all projects. This energy efficient center basket has a long life for optimal performance and is ideal for all commercial and industrial buildings.

### FEATURES AND SPECIFICATIONS

#### • Construction

##### Physical Characteristics

- White steel housing
- Frosted PMMA lens
- CCT and Power Selectable switches are placed on the outside, on the back of the housing

##### Mounting

- Recessed inverted T-Bar ceilings
- Grid mount
- Comes complete with integrated earthquake clips
- Surface mount and drywall mount kits available as accessories and sold separately

#### • Performance data

- Available in 3 500/4 000/5 000 K selectable color temperature
- 80+ CRI
- Electrical ratings: 120-347 V
- Estimated life of 189 000 hours to L70
- 0-10 V dimming standard
- 2.5 kV surge protection
- Operating temperature: -25 °C to 55 °C (-13 °F to 131 °F)

#### • Compliances

- cULus listed for damp locations
- IC rated for direct contact with insulation
- Meets requirements of ICES-005 issue 5 class A for use in commercial applications



### OVERVIEW

Light source	LED
Watts (W)	20/25/30 25/30/35 34/38/45
Lumen output (lm)	2 640 - 6 120
Efficacy (lm/W)	125 - 142
Color temperature (K)	3 500/4 000/5 000
CRI	80+



## QUICK SHIP AND TECHNICAL SPECIFICATION TABLE

Order code	Model number	DLC unique ID	Watts	Volts	Color temp.	Lumen output	Efficacy	CRI	Life L70	Dimming	Power factor	THD	Master case qty
			(W)	(VAC)	(K) <sup>1</sup>	(lm) <sup>2,3</sup>	(lm/W)	(hrs) <sup>4</sup>	(Yes/No)	(%)			
<b>1'X4'</b>													
<b>69161<sup>5</sup></b>	L3CBA-1LPS30P-Q/3C	S-HCXGK6	20/25/30	120-347	3 500/4 000/5 000	2 660/3 250/3 810	125	80+	189 000	Yes	0.90	10	2
<b>2'X2'</b>													
<b>69162<sup>5</sup></b>	L3CBA-2LPS35P-Q/3C	S-FZS5E9	25/30/35	120-347	3 500/4 000/5 000	3 300/3 870/4 410	125	80+	189 000	Yes	0.90	10	2
<b>2'X4'</b>													
<b>69163<sup>5</sup></b>	L3CBA-4LPS45P-Q/3C	S-3IMJBY	34/38/45	120-347	3 500/4 000/5 000	4 794/5 244/6 075	125	80+	189 000	Yes	0.90	10	2

<sup>1</sup> Typical color temperature range: +/- 5 %.

<sup>2</sup> Lumen values are derived from photometric testing. Initial lumens range: +/- 10 %.

<sup>3</sup> Lumen values are based on 4 000 K default programming. Please refer to the LUMEN SPECIFICATION TABLE for more details on other color temperatures.

<sup>4</sup> Life hours are derived from IESNA LM-80-08 testing report and projected per IESNA TM-21-11 extrapolations.

<sup>5</sup> Standard packaging is 2 panels per master case without individual box.

## LUMEN SPECIFICATION TABLE

Order code	Model number	Watts (W)	3 500 K		4 000 K		5 000 K	
			Lumen output (lm)	Efficacy (lm/W)	Lumen output (lm)	Efficacy (lm/W)	Lumen output (lm)	Efficacy (lm/W)
<b>69161</b>	L3CBA-1LPS30P-Q/3C	20	2 640	132	2 660	133	2 680	134
		25	3 225	129	3 250	130	3 275	131
		30	3 780	126	3 810	127	3 840	128
<b>69162</b>	L3CBA-2LPS35P-Q/3C	25	3 275	131	3 300	132	3 325	133
		30	3 840	128	3 870	129	3 900	130
		35	4 375	112	4 410	126	4 445	127
<b>69163</b>	L3CBA-4LPS45P-Q/3C	34	4 760	140	4 794	141	4 828	142
		38	5 206	137	5 244	138	5 282	139
		45	6 030	134	6 075	135	6 120	136

### DEFAULT PROGRAMMING

**69161** : 30 W / 4 000 K

**69162** : 35 W / 4 000 K

**69163** : 45 W / 4 000 K

## ACCESSORIES (order separately)

Part number	Type	Compatible with
<b>CAS905-1X4</b>	Surface mount kit 1'X4'	1'X4'
<b>CAS905-2X2</b>	Surface mount kit 2'X2'	2'X2'
<b>CAS905-2X4</b>	Surface mount kit 2'X4'	2'X4'
<b>63490</b>	Drywall kit for 1'X4'	1'X4'
<b>67164</b>	Drywall kit for 2'X2'	2'X2'
<b>63491</b>	Drywall kit for 2'X4'	2'X4'

## COMPATIBLE DIMMERS<sup>1</sup>

Brand	Model
Lutron	DVTV-WH, NTSTV-DV, NFTV
Leviton	DS710, IP710
Legrand	RH4FBL3PW

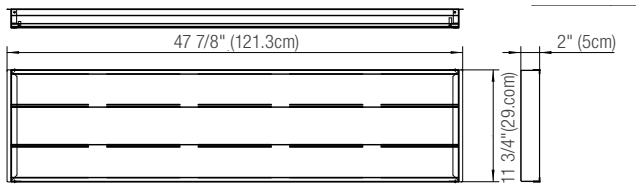
Dimming range: 10%-100%

<sup>1</sup> This table shows dimmers that have been tested and have demonstrated proper operation under normal conditions. Each installation being unique, various factors such as load, common neutrals or other electrical products on the circuit can, in certain instances, cause variance in system performance. Read and comply to the dimmer installation instructions. Consult dimming system manufacturer for additional support in operation. Some dimmers may require more than one product for stable operation. Stanpro recommends to use dimmers designed to work with LED products. Older dimmers designed for incandescent products may cause erratic operation.

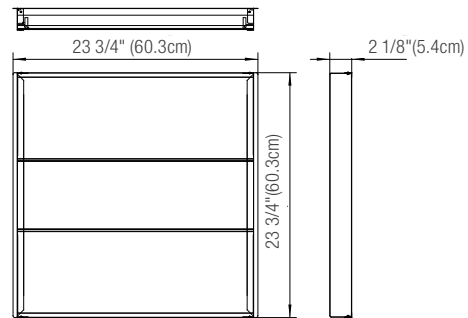
Data is based upon tests performed in a controlled environment. Actual performance can vary depending on operating conditions. All products are subject to change or may be discontinued any time without notice. Please contact your Stanpro customer service representative to confirm inventory levels at time of order.

**DIMENSIONS AND WEIGHTS**

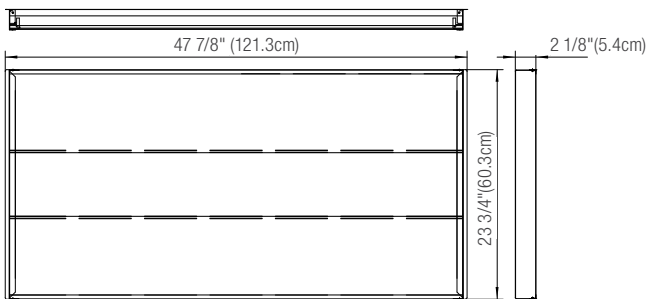
**1'X4'**



**2'X2'**



**2'X4'**

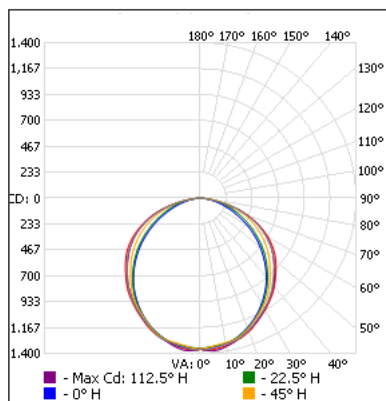


	1x4	2x2	2x4
Net weight (lbs)	6.7	6.5	10.5

**PHOTOMETRIC DATA<sup>1</sup>**

69161 • L3CBA-1LPS30P-Q/3C • 30 W • 3 500 K • 3 883.2 lm

**Polar candela distribution**



**Zonal lumen summary**

Zone	Lumens	% Fixture
0-30	1 049.5	27.0
0-40	1 712.4	44.1
0-60	3 027.6	78.0
60-90	844.6	21.7
70-100	356.5	9.2
90-120	3.8	0.1
0-90	3 872.2	99.7
90-180	11.1	0.3
0-90	3 883.2	100

**Illuminance at a distance**

Center beam fc		Beam width	
2.0'	339.4	5.0'	7.1'
4.0'	84.8	10.0'	14.1'
6.0'	37.7	15.0'	21.2'
8.0'	21.2	20.0'	28.2'
10.0'	13.6	25.1'	35.3'

■ Vert. spread: 102.8°  
■ Horiz. spread: 120.9°

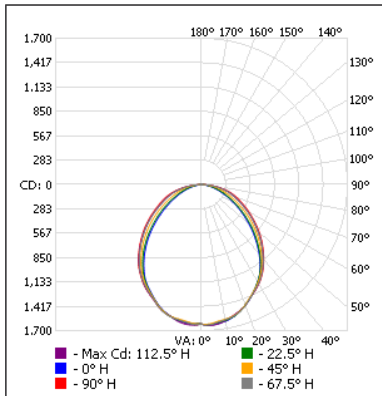
<sup>1</sup> Complete IES files available on our website.

Data is based upon tests performed in a controlled environment. Actual performance can vary depending on operating conditions. All products are subject to change or may be discontinued any time without notice. Please contact your Stanpro customer service representative to confirm inventory levels at time of order.

**PHOTOMETRIC DATA<sup>1</sup>**

**69162 • L3CBA-2LPS35P-Q/3C • 35 W • 3 500 K • 4 114.3 lm**

**Polar candela distribution**



**Zonal lumen summary**

Zone	Lumens	% Fixture
0-30	1 240.4	30.1
0-40	1 998.2	48.6
0-60	3 338.2	81.1
60-90	763.9	18.6
70-100	337.8	8.2
90-120	4.0	0.1
0-90	4 102.0	99.7
90-180	12.3	0.3
0-180	4 114.3	100

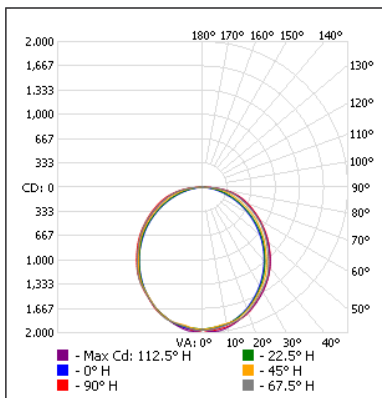
**Illuminance at a distance**

	Center beam fc	Beam width	
2.0'	405.4	4.3'	5.3'
4.0'	101.4	8.6'	10.5'
6.0'	45.0	12.9'	15.8'
8.0'	25.3	17.2'	21.1'
10.0'	16.2	21.5'	26.3'

■ Vert. spread: 94.0°  
■ Horiz. spread: 105.5°

**69163 • L3CBA-4LPS45P-Q/3C • 45 W • 3 500 K • 5 584.1 lm**

**Polar candela distribution**



**Zonal lumen summary**

Zone	Lumens	% Fixture
0-30	1 503.0	26.9
0-40	2 443.5	43.8
0-60	4 274.6	76.5
60-90	1 290.6	23.1
70-100	617.4	11.1
90-120	8.4	0.2
0-90	5 565.2	99.7
90-180	18.9	0.3
0-180	5 584.1	100

**Illuminance at a distance**

	Center beam fc	Beam width	
2.0'	489.4	5.2'	6.1'
4.0'	122.4	10.3'	12.1'
6.0'	54.4	15.5'	18.2'
8.0'	30.6	20.7'	24.2'
10.0'	19.6	25.8'	30.3'

■ Vert. spread: 104.5°  
■ Horiz. spread: 113.1°

<sup>1</sup> Complete IES files available on our website.

Data is based upon tests performed in a controlled environment. Actual performance can vary depending on operating conditions. All products are subject to change or may be discontinued any time without notice. Please contact your Stanpro customer service representative to confirm inventory levels at time of order.