

Series Spec Sheet

L3CBX

SMART LED CENTER BASKET

Integrated Bluetooth® Mesh Technology

The L3CBX series offers a classic center basket design with smooth and uniform ambient lighting. It has a long life for optimal performance and is perfect for all commercial lighting applications. Featuring integrated Bluetooth® Mesh technology, the L3CBX series seamlessly connects with the GENIO control system and mobile app. GENIO is easy to use and hassle-free, the ideal solution for integrating controls into a lighting system.

FEATURES AND SPECIFICATIONS

• Construction

Physical Characteristics

- White steel housing
- Frosted PMMA LED lens

Mounting

- Recess, surface

• Performance data

- Tunable white technology ranging from 3000 K to 5 000 K
- Power selectable up to 30 W (1'X4'), 35 W (2'X2'), 45 W (2'X4')
- 80+ CRI
- Electrical ratings: 120-347 V
- Estimated life of over 190 000 hours to L70
- Wireless Bluetooth® Dimming (1% - 100%)
- 2 kV surge protection
- Operating temperature: -20 °C to 50 °C (-4 °F to 122 °F)

• Bluetooth® Mesh Control

- Integrated Bluetooth® mesh technology allows for controllable features via the Stanpro Genio APP or by using the wireless smart wall switches (sold separately)
- Dimming
- Tune to desired color temperature
- Sensor programming (Motion and daylight sensor)
- Create groups, scenes, schedules and more.

• Compliances

- cULus listed for damp location
- DLC Premium
- Meets requirements of ICES-005 issue 5 class A for use in commercial applications

OVERVIEW

| | |
|-----------------------|--|
| Light source | LED |
| Watts (W) | Up to: 30 W (1X4), 35 W (2X2) & 45 W (2X4) |
| Lumen output (lm) | 3 810 - 5 985 |
| Efficacy (lm/W) | 123 - 133 |
| Color temperature (K) | Tunable White - 3 000 K to 5 000 K |
| CRI | 80+ |



Not all products are qualified on the DLC QPL. To view our DLC qualified products, please consult the DLC Qualified Products List at www.designlights.org/search.

GENIO CONTROL SYSTEM FEATURES

Genio is Stanpro’s smart brand of lighting and emergency lighting. Integrating the latest in Bluetooth® Mesh technology, Genio products allow for customizable features that can be adjusted at your fingertips using a smartphone or other compatible devices. This system is easy to use, versatile and futureproof! Please see below for some of the key features of the Genio control system:



LIGHTS

Instantly control the color temperature, wattage, lumen output and dimming.



GROUPS

Easily group luminaires together and control them as a single unit.



SCENES

Customize your lighting through scenes and create different atmospheres for occasions and activities.



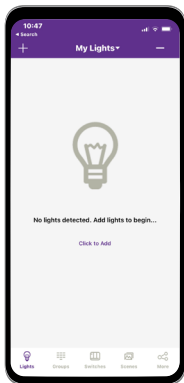
SCHEDULES

Set schedules to specify dates, times and recurrence patterns for changing the settings of your lighting.



SENSOR

Adjust the integrated PIR motion sensor and daylight harvesting settings.



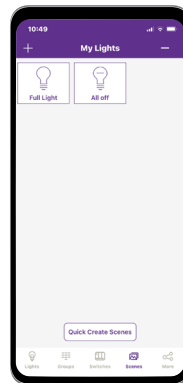
Lights

- Add
- Name or Rename
- Dimming and Color Tuning
- Delete
- Sensor Settings



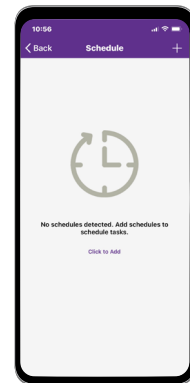
Groups

- Create
- Rename
- Delete
- Add or Remove Lights
- Adjust Group Linkage Level
- Turn On/Off
- Adjust Group Dimming
- Activate Auto Mode



Scenes

- Create
- Edit
- Delete



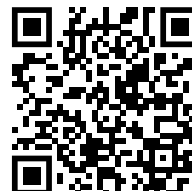
Schedules

- Creating
- Associate a Schedule To Lights, Groups, or Scenes
- Set a Repeating
- Set Fade Time
- Delete
- Enable Or Disable



Download on the **App Store**

GET IT ON **Google Play**



Download our App **Instruction Guide**

QUICK SHIP AND TECHNICAL SPECIFICATION TABLE ⌚¹

| Order code | Model number | DLC unique ID | Watts | Volts | Color temp. | Lumen output | Efficacy | CRI | Life L70 | Tested hours LM-80 | Dimming (Yes/No) | Power factor | THD | Master case qty |
|------------------------------------|----------------------|---------------|-------|---------|------------------|-------------------|----------|-----|--------------------|--------------------|------------------|--------------|-----|-----------------|
| | | | (W) | (VAC) | (K) ¹ | (lm) ² | (lm/W) | | (hrs) ³ | (hrs) ² | | (%) | | |
| 1'X4' 69621 ⁴ | L3CBX-1LP30P-Q/TW-BT | S-9FAZ12 | 30 | 120-347 | 3 000 - 5 000 | 3 810 | 127 | 80+ | 190 000 | 9 000 | Yes | 0.90 | 20 | 2 |
| 2'X2' 69622 ⁴ | L3CBX-2LP35P-Q/TW-BT | S-YL1K40 | 35 | 120-347 | 3 000 - 5 000 | 4 305 | 123 | 80+ | 190 000 | 9 000 | Yes | 0.90 | 20 | 2 |
| 2'X4' 69623 ⁴ | L3CBX-4LP45P-Q/TW-BT | S-BTIWR4 | 45 | 120-347 | 3 000 - 5 000 | 5 850 | 130 | 80+ | 190 000 | 9 000 | Yes | 0.90 | 20 | 2 |

¹ Typical color temperature range: +/- 5 %.

² Lumen values are derived from DLC reported data at 3 000 K. Please refer to the LUMEN SPECIFICATION TABLE for more details on other color temperatures.

³ Life hours are derived from IESNA LM-80 testing report and projected per IESNA TM-21 extrapolations.

⁴ Standard packaging is 2 panels per master box without individual boxes.

LUMEN SPECIFICATION TABLE

| Order code | Model number | Watts (W) | 3 000 K | | 3 500 K | | 4 000 K | | 5 000 K | |
|------------|----------------------|-----------|-------------------|-----------------|-------------------|-----------------|-------------------|-----------------|-------------------|-----------------|
| | | | Lumen output (lm) | Efficacy (lm/W) | Lumen output (lm) | Efficacy (lm/W) | Lumen output (lm) | Efficacy (lm/W) | Lumen output (lm) | Efficacy (lm/W) |
| 69621 | L3CBX-1LP30P-Q/TW-BT | 30 | 3 810 | 127 | 3 840 | 128 | 3 870 | 129 | 3 900 | 130 |
| 69622 | L3CBX-2LP35P-Q/TW-BT | 35 | 4 305 | 123 | 4 340 | 124 | 4 375 | 125 | 4 410 | 126 |
| 69623 | L3CBX-4LP45P-Q/TW-BT | 45 | 5 850 | 130 | 5 895 | 131 | 5 940 | 132 | 5 985 | 133 |

DEFAULT PROGRAMMING

69621 : 30 W / 5 000 K

69622 : 35 W / 5 000 K

69623 : 45 W / 5 000 K

ACCESSORIES (order separately)

| Order code | Type | Compatible with |
|------------|-----------------------------|---------------------|
| 69731 | PIR motion sensor (plug-in) | 1'X4', 2'X2', 2'X4' |
| CAS905-1X4 | Surface mount kit | 1'X4' |
| CAS905-2X2 | Surface mount kit | 2'X2' |
| CAS905-2X4 | Surface mount kit | 2'X4' |
| 63490 | Drywall kit | 1'X4' |
| 67164 | Drywall kit | 2'X2' |
| 63491 | Drywall kit | 2'X4' |

SENSOR SETTING OPTIONS¹

| Parameter | Settings Options |
|----------------|-------------------|
| 1st Time Delay | 1 min - 59 min, ∞ |
| 2nd Time Delay | 1 min - 59 min, ∞ |
| Dim Level | 1 % - 100 % |

¹ For detailed sensor programming and settings information, please refer to the Genio App Instruction Guide.

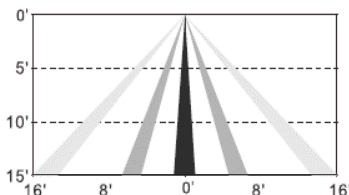
PLUG-IN PIR MOTION SENSOR (order separately)



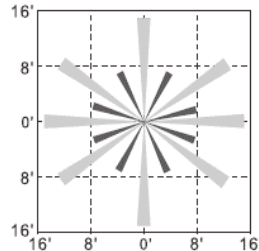
SENSOR MOUNTING AND DETECTION RANGE

| | |
|-----------------|--------------------|
| Mounting Height | 15 ft (4.6 m) Max |
| Detection Range | 32 ft (9.75 m) Max |

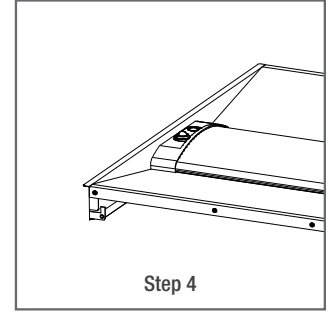
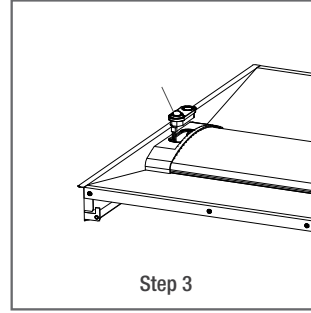
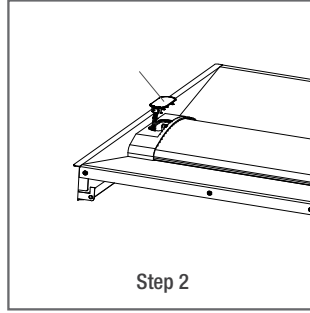
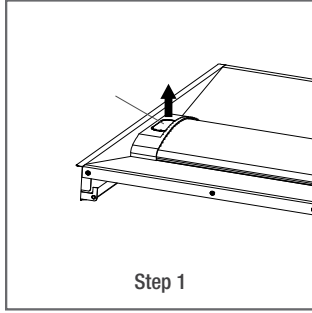
SIDE VIEW



TOP VIEW

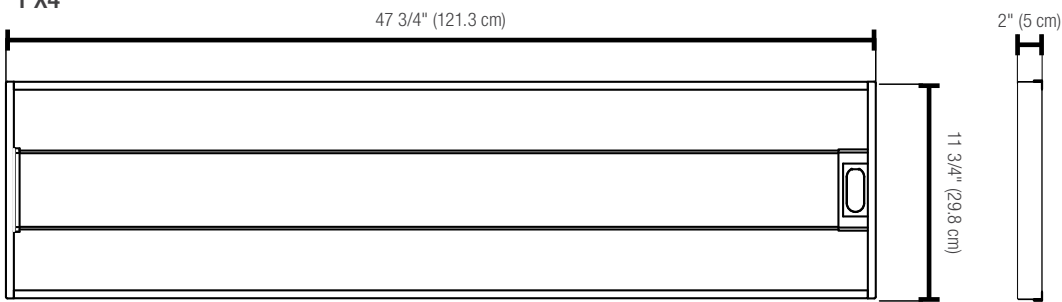


SENSOR INSTALLATION

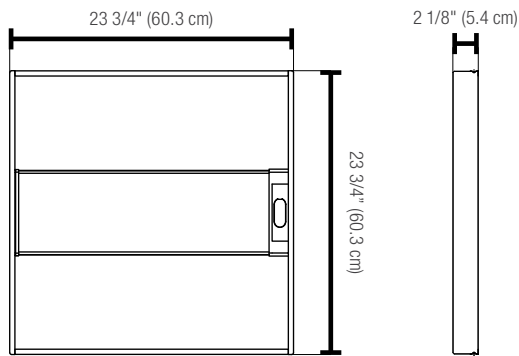


DIMENSIONS AND WEIGHTS

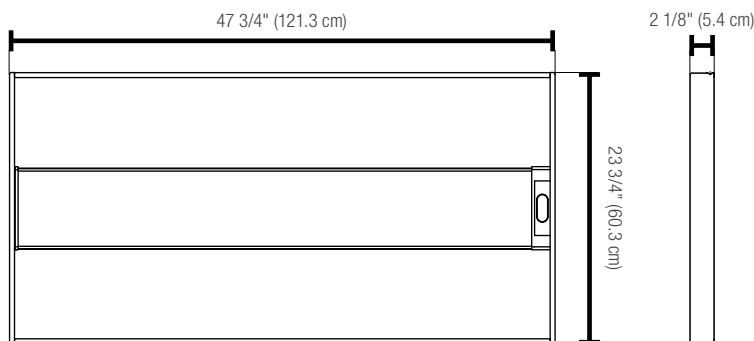
1'X4'



2'X2'



2'X4'

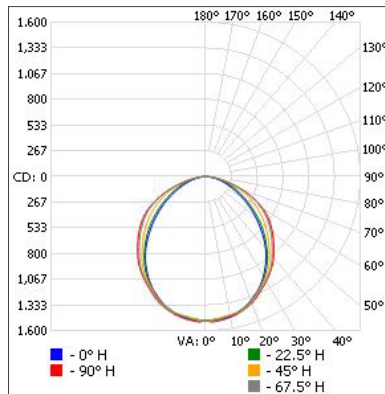


| | 1'X4' | 2'X2' | 2'X4' |
|------------------|-------|-------|-------|
| Net weight (lbs) | 7.7 | 6.8 | 11.4 |

PHOTOMETRIC DATA¹

69621 • L3CBX-1LP30P-Q/TW-BT • 30 W • 4 000 K • 3 942.1 lm

Polar candela distribution



Zonal lumen summary

| Zone | Lumens | % Fixture |
|-------|---------|-----------|
| 0-30 | 1 147.7 | 29.1 |
| 0-40 | 1 857.1 | 47.1 |
| 0-60 | 3 182.1 | 80.7 |
| 60-90 | 760.0 | 19.3 |
| 0-90 | 3 942.1 | 100 |

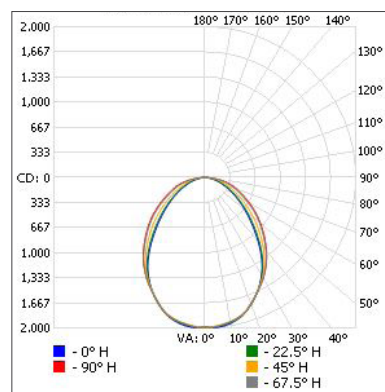
Illuminance at a distance

| Center beam fc | Beam width |
|----------------|-------------|
| 2.0' | 4.4' 6.3' |
| 4.0' | 8.8' 12.5' |
| 6.0' | 13.2' 18.8' |
| 8.0' | 17.6' 25.1' |
| 10.0' | 22.0' 31.3' |

Vert. spread: 95.5°
Horiz. spread: 114.9°

69622 • L3CBX-2LP35P-Q/TW-BT • 35 W • 4 000 K • 4 516.4 lm

Polar candela distribution



Zonal lumen summary

| Zone | Lumens | % Fixture |
|-------|---------|-----------|
| 0-30 | 1 485.1 | 32.9 |
| 0-40 | 2 339.4 | 51.8 |
| 0-60 | 3 741.9 | 82.9 |
| 60-90 | 774.5 | 17.1 |
| 0-90 | 4 516.4 | 100 |

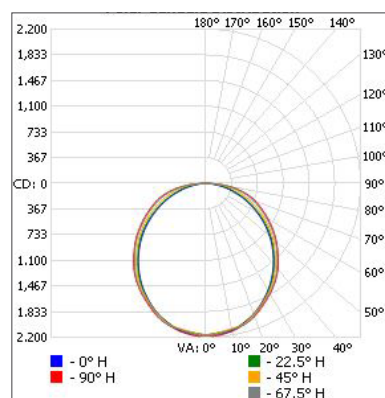
Illuminance at a distance

| Center beam fc | Beam width |
|----------------|-------------|
| 2.0' | 3.6' 4.6' |
| 4.0' | 7.3' 9.2' |
| 6.0' | 10.9' 13.8' |
| 8.0' | 14.5' 18.4' |
| 10.0' | 18.2' 23.0' |

Vert. spread: 84.5°
Horiz. spread: 97.9°

69623 • L3CBX-4LP45P-Q/TW-BT • 45 W • 4 000 K • 6 258.7 lm

Polar candela distribution



Zonal lumen summary

| Zone | Lumens | % Fixture |
|-------|---------|-----------|
| 0-30 | 1 664.8 | 26.6 |
| 0-40 | 2 713.3 | 43.4 |
| 0-60 | 4 772.8 | 76.3 |
| 60-90 | 1 485.9 | 23.7 |
| 0-90 | 6 258.7 | 100 |

Illuminance at a distance

| Center beam fc | Beam width |
|----------------|-------------|
| 2.0' | 5.3' 6.3' |
| 4.0' | 10.6' 12.6' |
| 6.0' | 15.9' 18.8' |
| 8.0' | 21.2' 25.1' |
| 10.0' | 26.5' 31.4' |

Vert. spread: 106.0°
Horiz. spread: 115.0°

¹ Complete IES files available on our website.