

Series Spec Sheet

L3PNX

SMART LED BACKLIT PANEL

Integrated Bluetooth® Mesh Technology

The L3PNX series combines LED backlit panel with smart technology. It offers high performance and uniformed lighting, with a smooth color temperature and lumen output tuning. This panel is a perfect choice for various lighting demands in different commercial applications.

Featuring integrated Bluetooth® Mesh technology, the L3PNX series seamlessly connects with the GENIO control system and mobile app. GENIO is easy to use and hassle-free, the ideal solution for integrating controls into a lighting system.

FEATURES AND SPECIFICATIONS

• **Construction**

Physical Characteristics

- White aluminum frame
- PMMA LED lens

Mounting

- Recessed, suspended, surface

• **Performance Data**

- Tunable white technology ranging from 3000 K to 5 000 K
- Power selectable up to 40 W (1'X4' & 2'X2'), 50 W (2'X4')
- 80+ CRI
- Electrical ratings: 120-347 V
- Estimated life of over 120 000 hours to L70
- Wireless Bluetooth® Dimming (1% - 100%)
- 2 kV surge protection
- Operating temperature: -20 °C to 45 °C (-4 °F to 113 °F)

• **Bluetooth® Mesh Control**

- Integrated Bluetooth® mesh technology allows for controllable features via the Stanpro Genio APP or by using the wireless smart wall switches (sold separately)
- Dimming
- Tune to desired color temperature
- Sensor programming (Motion and daylight sensor)
- Create groups, scenes, schedules and more.

• **Compliances**

- cULus listed for damp location
- DLC
- Meets requirement of ICES-005 issue 5 Class A for use in commercial applications

OVERVIEW

Light source	LED
Watts	Up to: 40 W (1X4 & 2X2), 50 W (2X4)
Lumen output (lm)	5 000 - 6 250
Efficacy (lm/W)	125 - 130
Color temperature (K)	Tunable White - 3 000 K to 5 000 K
CRI	80+



Not all products are qualified on the DLC QPL. To view our DLC qualified products, please consult the DLC Qualified Products List at www.designlights.org/search.

GENIO CONTROL SYSTEM FEATURES

Genio is Stanpro’s smart brand of lighting and emergency lighting. Integrating the latest in Bluetooth® Mesh technology, Genio products allow for customizable features that can be adjusted at your fingertips using a smartphone or other compatible devices. This system is easy to use, versatile and futureproof! Please see below for some of the key features of the Genio control system:



LIGHTS

Instantly control the color temperature, wattage, lumen output and dimming.



GROUPS

Easily group luminaires together and control them as a single unit.



SCENES

Customize your lighting through scenes and create different atmospheres for occasions and activities.



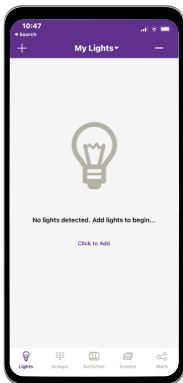
SCHEDULES

Set schedules to specify dates, times and recurrence patterns for changing the settings of your lighting.



SENSOR

Adjust the integrated PIR motion sensor and daylight harvesting settings.



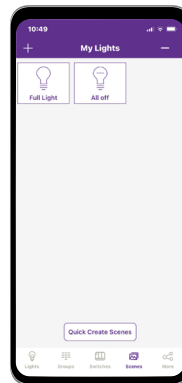
Lights

- Add
- Name or Rename
- Dimming and Color Tuning
- Delete
- Sensor Settings



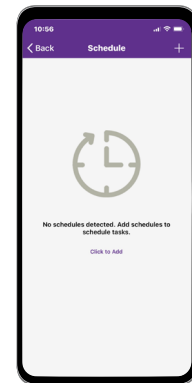
Groups

- Create
- Rename
- Delete
- Add or Remove Lights
- Adjust Group Linkage Level
- Turn On/Off
- Adjust Group Dimming
- Activate Auto Mode



Scenes

- Create
- Edit
- Delete



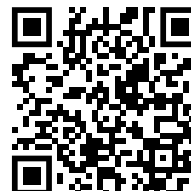
Schedules

- Creating
- Associate a Schedule To Lights, Groups, or Scenes
- Set a Repeating
- Set Fade Time
- Delete
- Enable Or Disable



Download on the **App Store**

GET IT ON **Google Play**



Download our App **Instruction Guide**

QUICK SHIP AND TECHNICAL SPECIFICATION TABLE

Order code	Model number	DLC unique ID	Watts	Volts	Color temp.	Lumen output	Efficacy	CRI	Life L70	Tested hours LM-80	Dimming	Power factor	THD	Master case qty	
			(W)	(VAC)	(K) ¹	(lm) ²	(lm/W)	(hrs) ³	(hrs) ²	(Yes/No)	(%)				
1'X4'															
69632	L3PNX-1LP40P-Q/TW-BT	S-8CXKZH	40	120-347	3 000 - 5 000	5 000	125	80+	120 000	9 000	Yes	0.90	20	2	
2'X2'															
69633	L3PNX-2LP40P-Q/TW-BT	S-2M12YH	40	120-347	3 000 - 5 000	5 000	125	80+	120 000	9 000	Yes	0.90	20	2	
2'X4'															
69634	L3PNX-4LP50P-Q/TW-BT	S-NGWT6K	50	120-347	3 000 - 5 000	6 250	125	80+	120 000	9 000	Yes	0.90	20	2	

¹ Typical color temperature range: +/- 5 %.

² Lumen values are derived from DLC reported data at 3 000 K. Please refer to the LUMEN SPECIFICATION TABLE for more details on other color temperatures.

³ Life hours are derived from IESNA LM-80 testing report and projected per IESNA TM-21 extrapolations.

LUMEN SPECIFICATION TABLE

Order code	Model number	Watts (W)	3 000 K		3 500 K		4 000 K		5 000 K	
			Lumen output (lm)	Efficacy (lm/W)	Lumen output (lm)	Efficacy (lm/W)	Lumen output (lm)	Efficacy (lm/W)	Lumen output (lm)	Efficacy (lm/W)
69632	L3PNX-1LP40P-Q/TW-BT	40	5 000	125	5 120	128	5 200	130	5 200	130
69633	L3PNX-2LP40P-Q/TW-BT	40	5 000	125	5 000	125	5 000	125	5 000	125
69634	L3PNX-4LP50P-Q/TW-BT	50	6 250	125	6 500	130	6 500	130	6 250	125

DEFAULT PROGRAMMING

69632: 40 W / 5 000 K

69633: 40 W / 5 000 K

69634: 50 W / 5 000 K

ACCESSORIES (order separately)

Order code	Type	Compatible with
69731	PIR motion sensor (plug-in)	1'X4', 2'X2', 2'X4'
63490	Drywall Kit	1'X4'
67164	Drywall Kit	2'X2'
63491	Drywall Kit	2'X4'
68455	Surface Mount Kit	1'X4'
68456	Surface Mount Kit	2'X2'
68457	Surface Mount Kit	2'X4'
68458	Suspension Kit	1'X4', 2'X2', 2'X4'

SENSOR SETTING OPTIONS¹

Parameter	Settings Options
1st Time Delay	1 min - 59 min, ∞
2nd Time Delay	1 min - 59 min, ∞
Dim Level	1 % - 100 %

¹ For detailed sensor programming and settings information, please refer to the Genio App Instruction Guide.

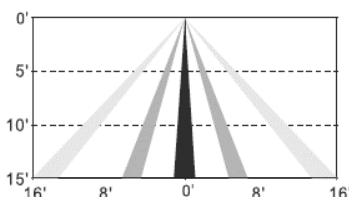
PLUG-IN PIR MOTION SENSOR (order separately)



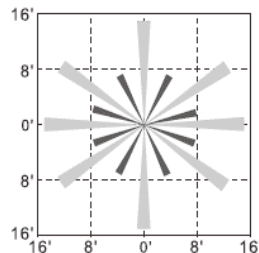
SENSOR MOUNTING AND DETECTION RANGE

Mounting Height	15 ft (4.6 m) Max
Detection Range	32 ft (9.75 m) Max

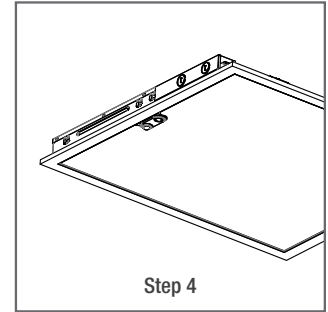
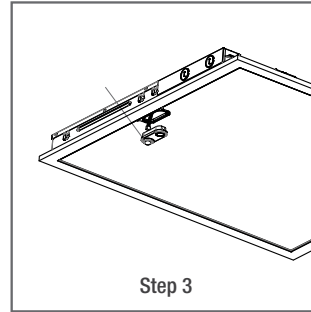
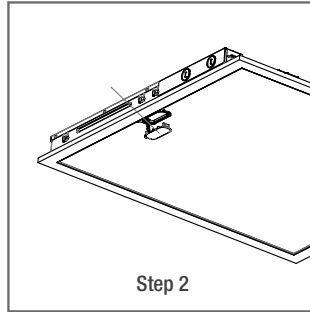
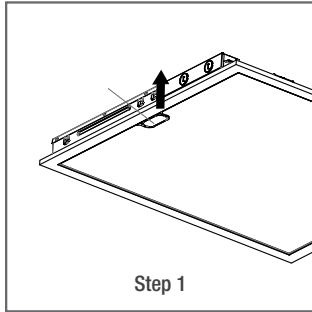
SIDE VIEW



TOP VIEW

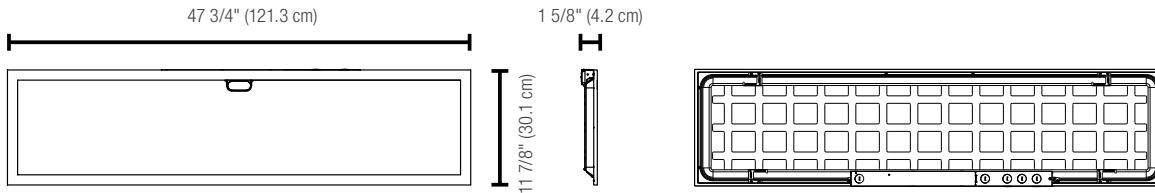


SENSOR INSTALLATION

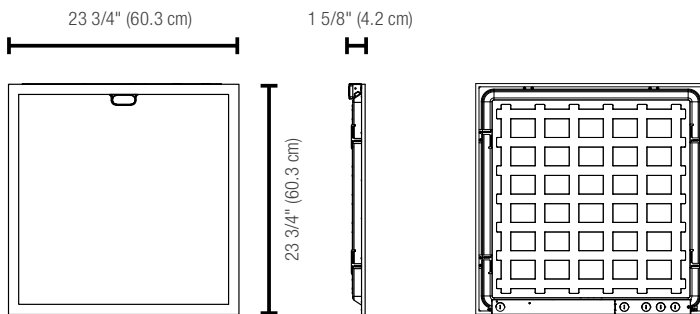


DIMENSIONS AND WEIGHTS

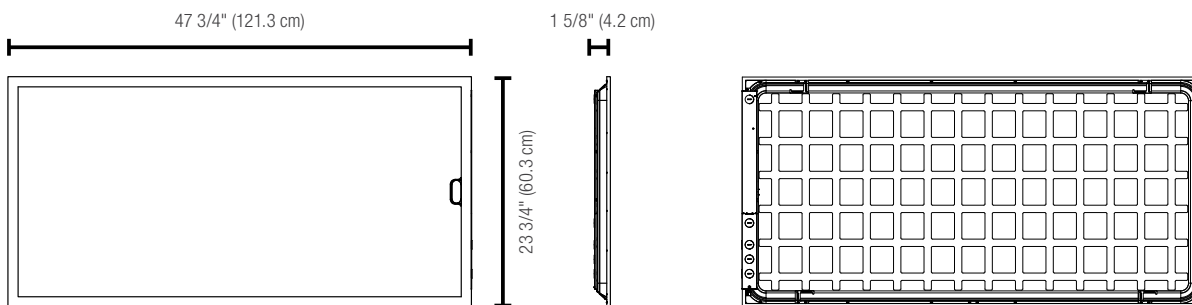
1'X4'



2'X2'



2'X4'

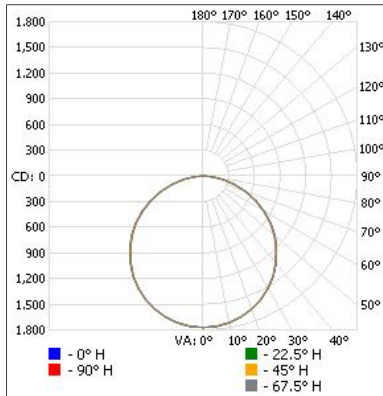


	1'X4'	2'X2'	2'X4'
Net weight (lbs)	4.5	5.8	9.3

PHOTOMETRIC DATA¹

69632 • L3PNX-1LP40P-Q/TW-BT • 40 W • 4 000 K • 5 260.3 lm

Polar candela distribution



Zonal lumen summary

Zone	Lumens	% Fixture
0-30	1 381.2	26.3
0-40	2 272.0	43.2
0-60	4 061.8	77.2
60-90	1 182.2	22.5
70-100	521.9	9.9
90-120	5.6	0.1
0-90	5 244.0	99.7
90-180	16.3	0.3
0-180	5 260.3	100

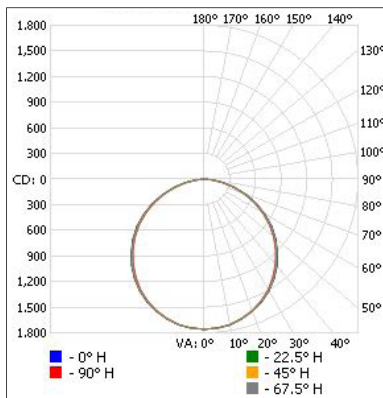
Illuminance at a distance

	Center beam fc		Beam width	
	2.0'	4.0'	6.4'	6.3'
2.0'	442.4 fc		6.4'	6.3'
4.0'	110.6 fc		12.7'	12.6'
6.0'	49.2 fc		19.1'	18.8'
8.0'	27.6 fc		25.5'	25.1'
10.0'	17.1 fc		31.8'	31.4'

■ Vert. spread: 115.7°
■ Horiz. spread: 115.0°

69633 • L3PNX-2LP40P-Q/TW-BT • 40 W • 4 000 K • 5 169.7 lm

Polar candela distribution



Zonal lumen summary

Zone	Lumens	% Fixture
0-30	1 370.6	26.5
0-40	2 253.5	43.6
0-60	4 020.0	77.8
60-90	1 134.3	21.9
70-100	488.5	9.5
90-120	5.2	0.1
0-90	5 154.3	99.7
90-180	15.3	0.3
0-180	5 169.7	100

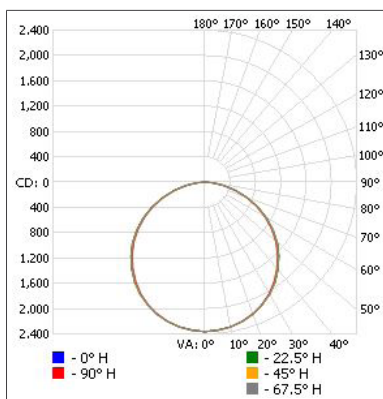
Illuminance at a distance

	Center beam fc		Beam width	
	2.0'	4.0'	6.4'	6.1'
2.0'	439.0 fc		6.4'	6.1'
4.0'	109.7 fc		12.8'	12.2'
6.0'	48.8 fc		19.2'	18.4'
8.0'	27.4 fc		25.6'	24.5'
10.0'	17.6 fc		32.0'	30.6'

■ Vert. spread: 115.9°
■ Horiz. spread: 113.7°

69634 • L3PNX-4LP50P-Q/TW-BT • 50 W • 4 000 K • 7 103.9 lm

Polar candela distribution



Zonal lumen summary

Zone	Lumens	% Fixture
0-30	1 852.2	26.1
0-40	3 056.1	43.1
0-60	5 489.2	77.3
60-90	1 593.5	22.4
70-100	697.1	9.8
90-120	9.0	0.1
0-90	7 082.6	99.7
90-180	21.2	0.3
0-180	7 103.9	100

Illuminance at a distance

	Center beam fc		Beam width	
	2.0'	4.0'	6.5'	6.3'
2.0'	590.5 fc		6.5'	6.3'
4.0'	147.6 fc		13.1'	12.7'
6.0'	65.6 fc		19.6'	19.0'
8.0'	36.9 fc		26.2'	25.3'
10.0'	23.6 fc		32.7'	31.7'

■ Vert. spread: 117.1°
■ Horiz. spread: 115.5°

¹ Complete IES files available on our website.