

Series Spec Sheet

LED WALL SCONCE - LINEAR

12", 24", 36", 48"

Our series of linear LED Wall Sconces, equipped with frosted lenses, provide high quality lighting with a CRI 90+ while adding a decorative touch to the application. Adding an LED Wall Sconce adds a decorative element to match the look of a room ; its modern design and smooth lighting can be integrated in a wide variety of decors. These linear LED wall sconces emit a soft white light and are offered in 3 different finishes. They are the perfect solution to everyday needs.

FEATURES AND SPECIFICATIONS

• Construction

Finish

- Housing Color: Brushed Nickel, Black and Chrome
- Available Length: 12", 24", 36" and 48"
- Wrap around frosted polycarbonate lenses

Mounting

Wall mounted horizontally and vertically

• Technical specifications

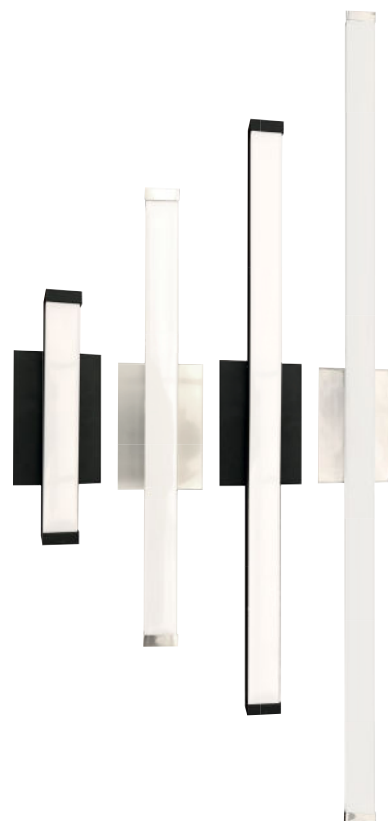
- 120 VAC
- 3 000 K & 4 000 K color temperature
- 5, 10, 15 and 20 W
- Forward and Reverse dimming
- Suitable for damp location
- IP44

• Compliances

- ETL
- Meets requirements of ICES-005, Class B
- FCC

OVERVIEW

Light source	LED
Watts (W)	5 - 20
Lumen output (lm)	421 - 1 470
Efficiency (lm/W)	74 - 90
Color temperature (K)	3 000, 4 000
CRI	90



quick
ship



LED
fixture



dimmable
fixture



damp
location



ICES
005



QUICK SHIP AND TECHNICAL SPECIFICATION TABLE 🕒¹

Order code	Part number	ES (Yes/No)	Watts (W)	Volts (VAC)	Color temp. (K) ²	Lumen output (lm) ³	Efficiency (lm/W)	CRI	Life L70 (hrs) ⁴	Finish	Lens Finish	Beam angle (°)	Dimming (Yes/No)	Power factor	THD (%)	Case qty (master)
12"																
67342	SVAN/5W/12IN/30K/CH/F/STD	No	5	120	3 000	443	89	90	50 000	Chrome	Frosted	120	Yes	>0.9	<15	10
67343	SVAN/5W/12IN/30K/BN/F/STD	No	5	120	3 000	439	88	90	50 000	Brushed Nickel	Frosted	120	Yes	>0.9	<15	10
67344	SVAN/5W/12IN/30K/BK/F/STD	No	5	120	3 000	421	84	90	50 000	Black	Frosted	120	Yes	>0.9	<15	10
67345	SVAN/5W/12IN/40K/BN/F/STD	No	5	120	4 000	449	90	90	50 000	Brushed Nickel	Frosted	120	Yes	>0.9	<15	10
24"																
67346	SVAN/10W/24IN/30K/CH/F/STD	No	10	120	3 000	879	88	90	50 000	Chrome	Frosted	120	Yes	>0.9	<15	10
67347	SVAN/10W/24IN/30K/BN/F/STD	No	10	120	3 000	889	89	90	50 000	Brushed Nickel	Frosted	120	Yes	>0.9	<15	10
67348	SVAN/10W/24IN/30K/BK/F/STD	No	10	120	3 000	845	85	90	50 000	Black	Frosted	120	Yes	>0.9	<15	10
36"																
67349	SVAN/15W/36IN/30K/CH/F/STD	No	15	120	3 000	1 221	81	90	50 000	Chrome	Frosted	120	Yes	>0.9	<15	10
67350	SVAN/15W/36IN/30K/BN/F/STD	No	15	120	3 000	1 219	81	90	50 000	Brushed Nickel	Frosted	120	Yes	>0.9	<15	10
67351	SVAN/15W/36IN/30K/BK/F/STD	No	15	120	3 000	1 160	77	90	50 000	Black	Frosted	120	Yes	>0.9	<15	10
48"																
67352	SVAN/20W/48IN/30K/CH/F/STD	No	20	120	3 000	1 470	74	90	50 000	Chrome	Frosted	120	Yes	>0.9	<15	10

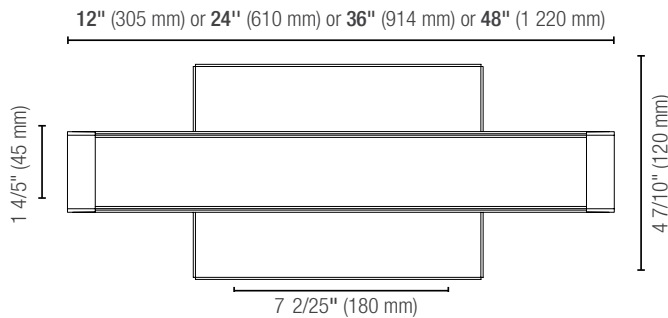
¹ **QUICK SHIP:** Product availability is subject to change without notice. Please contact your Stanpro customer service representative to confirm inventory levels at time of order.

² Typical color temperature range: +/- 5 %.

³ Lumen values are derived from photometric testing. Initial lumens range: +/- 10 %.

⁴ Life hours are derived from IESNA LM-80-08 testing report and projected per IESNA TM-21-11 extrapolations.

DIMENSIONS

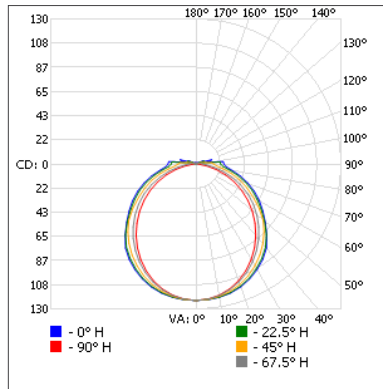


Data is based upon tests performed in a controlled environment. Actual performance can vary depending on operating conditions. All products are subject to change or may be discontinued any time without notice.

PHOTOMETRIC DATA¹

67342 • SVAN/5W/12IN/30K/CH/F/STD • 405.7 lm

Polar candela distribution



Zonal lumen summary

Zone	Lumens	% Fixture
0-30	95.6	23.6
0-40	157.4	38.8
0-60	282.4	69.6
60-90	101.9	25.1
70-100	65.6	16.2
90-120	19.2	4.7
0-90	384.3	94.7
90-180	21.4	5.3
0-180	405.7	100

Illuminance at a distance

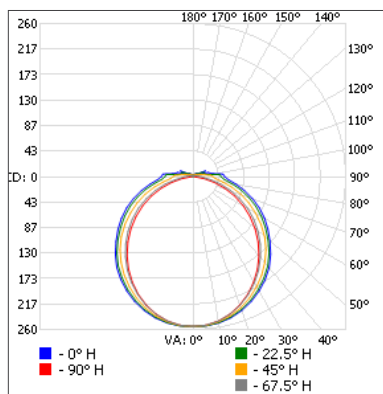
Center beam fc	Beam width
1.7'	42.3
3.3'	11.2
5.0'	4.89
6.7'	2.72
8.3'	1.78
10'	1.22

Beam width	Center beam fc
6.6'	4.5'
12.8'	8.6'
19.5'	13.1'
26.1'	17.6'
32.3'	21.7'
38.9'	26.2'

Vert. spread:	125.6°
Horiz. spread:	105.3°

67346 • SVAN/10W/24IN/30K/CH/F/STD • 858.8 lm

Polar candela distribution



Zonal lumen summary

Zone	Lumens	% Fixture
0-30	197.7	23
0-40	324.6	37.8
0-60	582.0	67.8
60-90	212.9	24.8
70-100	139.5	16.2
90-120	51.4	6
0-90	794.9	92.6
90-180	63.9	7.4
0-180	858.8	100

Illuminance at a distance

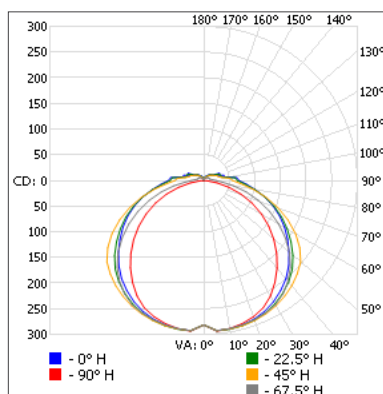
Center beam fc	Beam width
1.7'	88.2
3.3'	23.4
5.0'	10.2
6.7'	5.68
8.3'	3.70
10'	2.55

Beam width	Center beam fc
7.0'	4.5'
13.5'	8.7'
20.5'	13.1'
27.5'	17.6'
34.1'	21.8'
41.1'	26.3'

Vert. spread:	128.1°
Horiz. spread:	105.4°

67349 • SVAN/15W/36IN/30K/CH/F/STD • 1 221.1 lm

Polar candela distribution



Zonal lumen summary

Zone	Lumens	% Fixture
0-30	241.2	19.7
0-40	407.8	33.4
0-60	773.0	63.3
60-90	331.8	27.2
70-100	219.4	18
90-120	86.6	7.1
0-90	1 104.8	90.5
90-180	116.3	9.5
0-180	1 221.1	100

Illuminance at a distance

Center beam fc	Beam width
1.7'	97.3
3.3'	25.8
5.0'	11.2
6.7'	6.26
8.3'	4.08
10'	2.81

Beam width	Center beam fc
8.9'	5.1'
17.4'	10.0'
26.3'	15.1'
35.2'	20.2'
43.6'	25.1'
52.6'	30.2'

Vert. spread:	138.4°
Horiz. spread:	112.9°

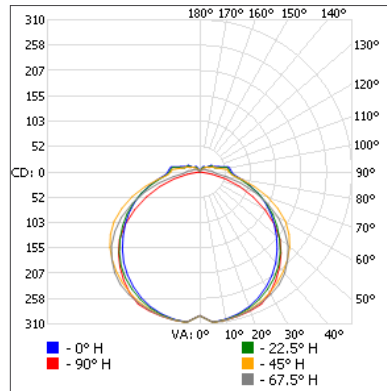
¹ Complete IES files available on our website.

Data is based upon tests performed in a controlled environment. Actual performance can vary depending on operating conditions. All products are subject to change or may be discontinued any time without notice.

PHOTOMETRIC DATA¹ (cont'd)

67352 • SVAN/20W/48IN/30K/CH/F/STD • 1 218.1 lm

Polar candela distribution



Zonal lumen summary

Zone	Lumens	% Fixture
0-30	248.8	20.4
0-40	418.2	34.3
0-60	785.3	64.5
60-90	312.0	25.6
70-100	207.0	17
90-120	93.9	7.7
0-90	1 097.3	90.1
90-180	120.8	9.9
0-180	1 218.1	100

Illuminance at a distance

Center beam fc	Beam width	
	Beam width	Beam width
1.7'	6.8'	6.0'
3.3'	13.1'	11.6'
5.0'	19.9'	17.6'
6.7'	26.6'	23.5'
8.3'	33.0'	29.2'
10'	39.7'	35.1'

■ Vert. spread: 126.6°
■ Horiz. spread: 120.7°

¹ Complete IES files available on our website.

Data is based upon tests performed in a controlled environment. Actual performance can vary depending on operating conditions. All products are subject to change or may be discontinued any time without notice.