

## LPDL LED 4" SQUARE LOW PROFILE DOWNLIGHT

LPDL™ gives you all the flexibility you need during installation, especially in confined area or when facing constraints such as wood beams, ceiling joist or air ducts. The driver is mounted separately from the light source which allows the luminaire profile to be less than 1" thick!

### FEATURES AND SPECIFICATIONS

#### • Construction

- Finishing
  - Brushed Nickel
  - 120° beam angle
  - 4" Square

#### Mounting

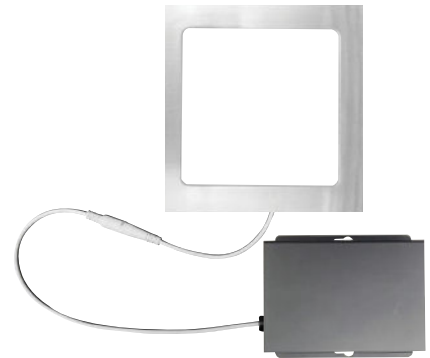
- LED module with LED driver easily installed with quick connect wire
- Torsion spring mounting clips

#### • Compliances

- cETLus
- Energy Star

#### • Technical specifications

- Phase-cut dimming
- Color temperature 3 000 K
- Operating temperature: -20 °C to 45 °C (-4 °F to 113 °F)
- IC certified
- Suitable for damp location
- FT4 cable rated
- Airtight



### OVERVIEW

Light source	LED
Watts (W)	9
Lumen output (lm)	530 - 550
Efficacy (lm/W)	59 - 61
Color temperature (K)	3 000
CRI	80



quick  
ship



LED  
fixture



dimmmable  
fixture



airtight



damp  
location



IC  
rated



ICES  
005



quick  
connect



**QUICK SHIP AND TECHNICAL SPECIFICATION TABLE**  <sup>1</sup>

Order code	Model number	Watts (W)	Volts (V AC)	Color temp. (K) <sup>2</sup>	Lumen output (lm) <sup>3</sup>	Efficacy (lm/W)	CRI	Life L70 (hrs) <sup>4</sup>	Beam angle (°)	Cable rating	Finish	Power factor	THD (%)	Traditional equivalent (W)	Case qty (master)
<b>S1 - Small junction box</b>															
63893	LPDL4/SQR/9W/30K/SLV/STD	9	120	3 000	530	59	80	50 000	120	FT4	Brushed nickel	>0.9	<40	50	24
<b>S2 - Large junction box</b>															
65861	LPDL4/SQR/S2/9W/30K/BN/STD	9	120	3 000	550	61	80	50 000	120	FT4	Brushed nickel	>0.9	<40	50	24

<sup>1</sup> **QUICK SHIP:** Product availability is subject to change without notice. Please contact your Stanpro customer service representative to confirm inventory levels at time of order.

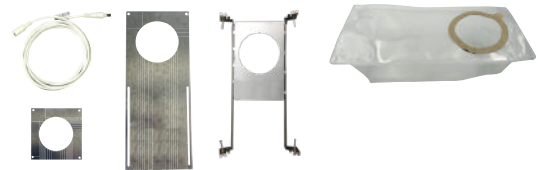
<sup>2</sup> Typical color temperature range: +/- 5 %.

<sup>3</sup> Lumen values are derived from Energy Star reported data. Initial lumens range: +/- 10 %.

<sup>4</sup> Life hours are derived from IESNA LM-80-08 testing report and projected per IESNA TM-21-11 extrapolations.

**ACCESSORIES (order separately)**

Order code	Model number	Type	Opening diameter (in)	Case qty (master)
66051	ACC/MPLATE/4.25/SQR/STD	Square mounting plate	4 1/4	96
66058	ACC/MPLATE/4.25/ADJ/STD	Adjustable mounting plate	4 1/4	24
66821	ACC/MPLATE/4.25IN/HANG.BARS/STD	Mounting plate with hanger bars	4 1/4	25
66143	ACC/4/VAPOR BARRIER/STD	Vapor barrier extender	4 1/4	50
66964	LPDL/ACC/6FT/EXTCABLE/FT6/STD	6' FT6 Extension cord	-	96

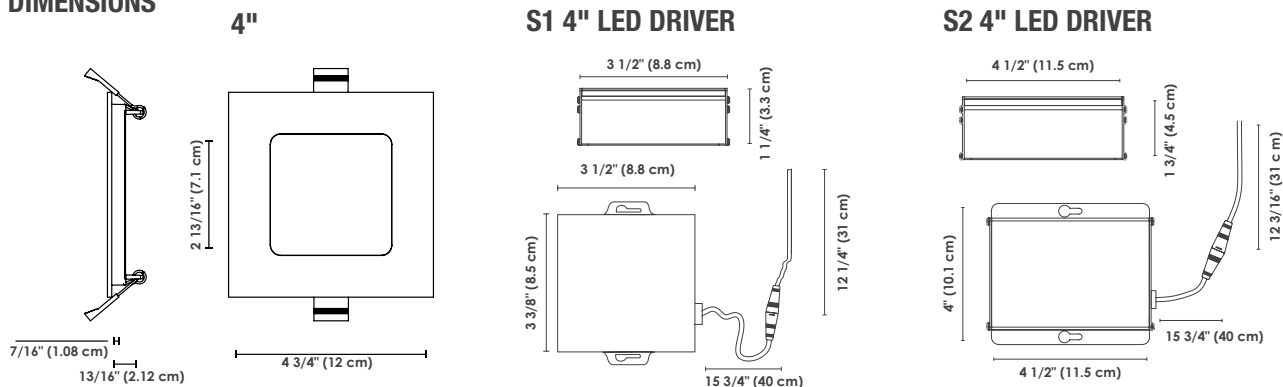


**COMPATIBLE DIMMERS**

Brand	Product type & dimmer model number
LEGRAND	HCL453P
COOPER	AAL06, DAL06P, SLC03P
LEVITON	6615, 6674, DSL06-1LZ, DSM10-1LZ, IPE04-1LZ, IPL06
LUTRON	AYCL-253P, CTCL-153P, DVCL-153P, DVCL-253P, DVELV-300P, MACL-153P, NTELV-600, PD-6WCL, SELV-300P

NOTE: The above table shows dimmers that have been tested and have demonstrated proper operation under normal conditions. Each installation being unique, various factors such as load, common neutrals or other electrical products on the circuit can, in certain instances, cause variance in system performance. Read and comply to the dimmer installation instructions. Consult dimming system manufacturer for additional support in operation. Standard recommends to use dimmers designed to work with LED products. Older dimmers designed for incandescent products may cause erratic operation. Some dimmers may require more than one product for stable operation. The maximum number of products is determined by the dimmer wattage rating with LEDs. Be careful, these dimmers have different ratings depending on the product type. Again, refer to the dimmer installation instructions.

**DIMENSIONS**

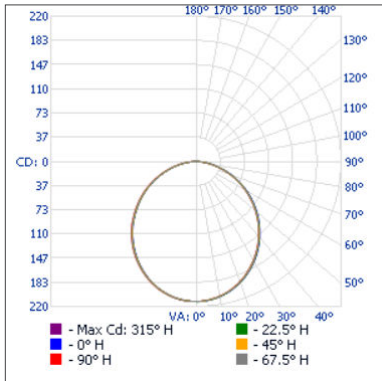


Data is based upon tests performed in a controlled environment. Actual performance can vary depending on operating conditions. All products are subject to change or may be discontinued any time without notice.

**PHOTOMETRIC DATA<sup>1</sup>**

65861 • LPDL4/SQR/9W/30K/WH/WET/STD • 584.0 lm

**Polar candela distribution**



**Zonal lumen summary**

Zone	Lumens	% Fixture
0-30	162.8	27.9%
0-40	264.8	45.3%
0-60	461.8	79.1%
60-90	121.5	20.8%
70-100	51.4	8.8%
90-120	0.2	0%
0-90	583.3	99.9%
90-180	0.7	0.1%
0-180	584.0	100%

**Illuminance at a distance**

	Center beam fc	Beam width
1.7'	73.5	4.7'
3.3'	19.5	9.2'
5.0'	8.49	13.9'
6.7'	4.73	18.7'
8.3'	3.08	23.2'
10.0'	2.12	27.9'

■ Vert. spread: 108.7°

<sup>1</sup> Complete IES files available on our website.

Data is based upon tests performed in a controlled environment. Actual performance can vary depending on operating conditions. All products are subject to change or may be discontinued any time without notice.