

Series Spec Sheet

CONNECTORS, WIRES & ACCESSORIES

COMPONENTS FOR IP22 LED TAPES

Stanpro supplies a wide range of accessories to complete and customize each LOW VOLTAGE TAPE SYSTEM. A wide variety of connectors, extensions, splitters, wire leads are in this section to make installation a breeze!

View our full collection of LED strip tapes and extrusion offerings in our [brochure](#).

FEATURES AND SPECIFICATIONS

• Construction

Physical Characteristics

- No soldering required
- Easy installation to accommodate various lengths
- Quick and secure connections
- Compatible with Stanpro's IP22 [Low Voltage LED Tape Systems](#)

Mounting

- Direct connection options:
 - Tape to tape
 - Tape to wire (Compatible wire : 20-22 AWG TR64 type)
 - Wire to wire (Compatible wire : 20-22 AWG TR64 type)
- WAGOs for multiple wire connections
 - Larger gauge wires (12-24 AWG)
 - 2 way connectors
 - 5 way connectors using one driver
- Corner installation with L and T shape PCB joint connector

• Performance data

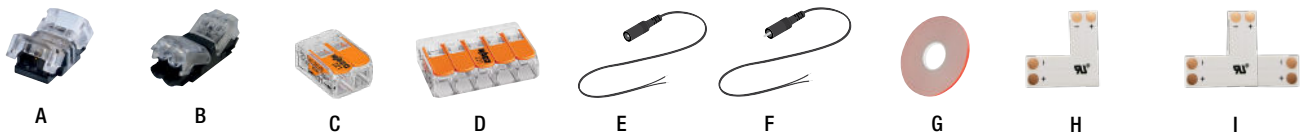
- Suitable for dry location



3^{yrs}
warranty


dry
location

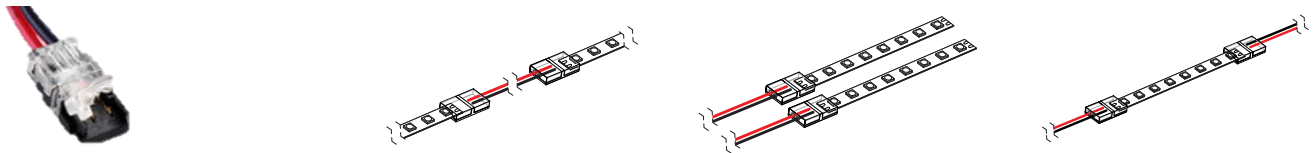
QUICK SHIP AND TECHNICAL SPECIFICATION TABLE 



Order code	Model number	Description	Figure	Dimensions	Compatible	Colour	Certification	Qty per pack	Case qty (master)
66130	TAPE/8MM/SINGLE_END_CONN/STD	Tape to Wire (8 mm)	A	2 m. wire (incl.)	20-22 AWG TR64 type	Clear / Black	RoHS	10	300
66132	TAPE/8MM/IN_LINE_CONN/STD	Tape to Tape (8mm)	A	-	LV LED Tapes (8mm)	Clear / Black	RoHS	10	300
66239	TAPE/WIRE_TO_WIRE_CONN/STD	Wire to Wire (8mm)	B	-	20-22 AWG TR64 type	Clear / Black	-	10	300
66771	TAPE/2WAY_WIRE_TO_WIRE_CONN/STD	Two way - Wire to Wire	C	11.2 x 13.1 x 8.3 mm	12-24 AWG	Orange	-	1	100
66242	TAPE/5WAY_WIRE_TO_WIRE_CONN/STD 4P	Five way - Wire to Wire	D	18.6 x 29.9 x 8.3 mm	12-24 AWG	Orange	-	5	200
66240	TAPE/WIRE_TO_DC_FEMALE/STD	Wire to DC Female	E	12"	20 AWG	Black	-	1	50
66241	TAPE/WIRE_TO_DC_MALE/STD	Wire to DC Male	F	12"	20 AWG	Black	-	1	50
66243	TAPE/DOUBLE_FACE_33M/STD	Double face tape	G	33 m	-	Red	-	1	10
67630	TAPE/8MM/LSHAPECORNER/STD 5P	L Shape PCB Joiner	H	20 x 8 mm	-	White	RU	1	250
67631	TAPE/8MM/TSHAPECORNER/STD 5P	T Shape PCB Joiner	I	32 x 20x 8 mm	-	White	RU	1	250

DIAGRAMS

66130 - TAPE TO WIRE



66132 - TAPE TO TAPE



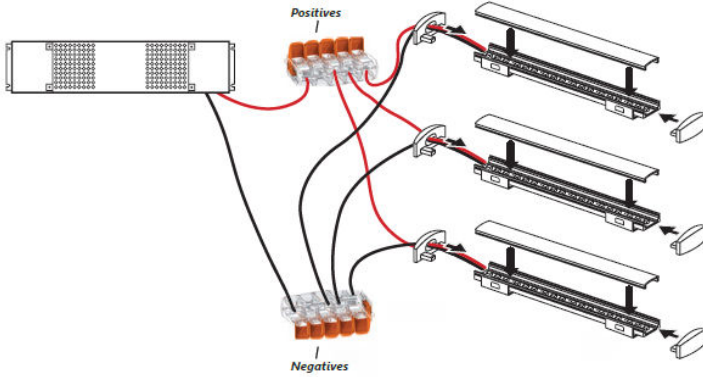
66239 - WIRE TO WIRE



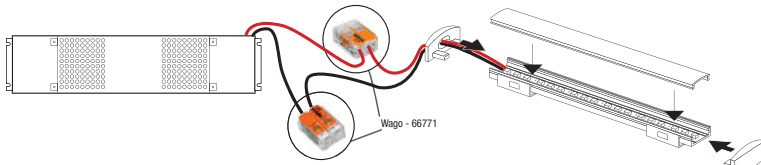
Data is based upon tests performed in a controlled environment. Actual performance can vary depending on operating conditions. All products are subject to change or may be discontinued any time without notice.

DIAGRAM

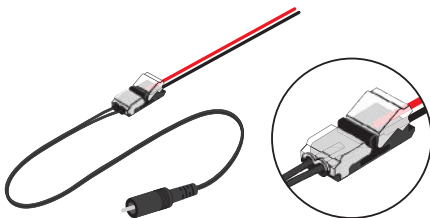
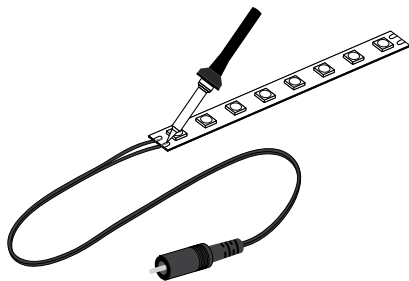
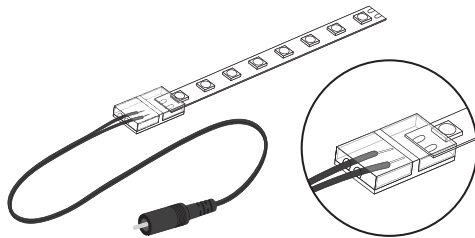
66242 - FIVE-WAY WAGOS



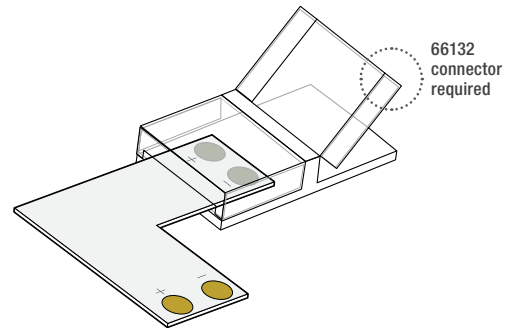
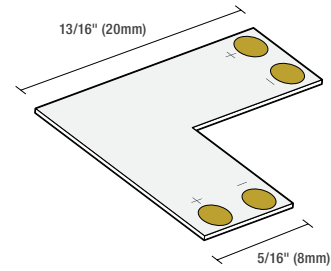
66771 - TWO WAY WAGOS



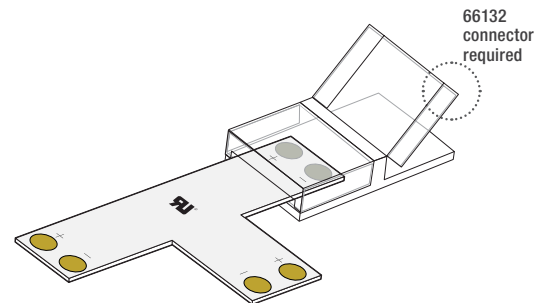
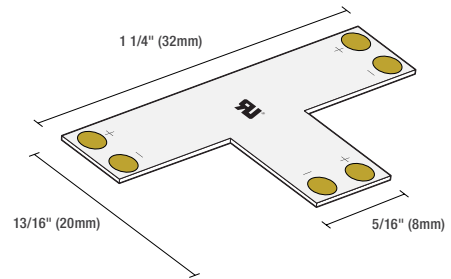
66240 - WIRE CONNECTORS



67630 - L SHAPE PCB JOINER



67631 - T SHAPE PCB JOINER



Data is based upon tests performed in a controlled environment. Actual performance can vary depending on operating conditions. All products are subject to change or may be discontinued any time without notice.