

PFL LED FLOOD LIGHTS

Our complete line of Flood Lights is highly versatile and well suited for the most robust construction sites. Our battery powered Flood Lights can be easily carried from one location to another and their cordless feature keeps the ground free of cables, creating a safer working environment. They are ideal for jobsites where electricity has yet to be installed, commercial projects or smaller residential tasks. Our AC Flood Lights are the perfect combination of durability and efficiency. They offer a high light output and are designed for wet locations, with an IP rating of 65.

FEATURES AND SPECIFICATIONS

- **10 W LED Mini Battery Powered Flood Light**

- Housing: Black Aluminum
- Pre-set intensities
- USB outlet with smartphone charging capability
- Suitable for dry locations

Ambient temperature
-10°C - +40°C

- **20 W LED Battery Powered Flood Light**

- Housing: Yellow Aluminum
- Pre-set intensities
- Battery powered
- USB outlet with smartphone charging capability
- IK10 rated
- Suitable for dry locations

Ambient temperature
-10°C - +40°C

- **50 W LED Battery Powered Flood Light**

- Housing: Yellow Aluminum
- Pre-set intensities
- IK10 rated
- Suitable for dry locations

Ambient temperature
-10°C - +40°C

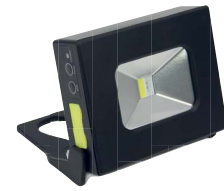
- **30 W & 50 W AC LED Flood Light**

- Housing: Yellow Aluminum
- 5' 18 AWG power cord
- IP65 rated
- Suitable for wet locations

Ambient temperature
-20°C - +50°C

OVERVIEW

	LED Mini Battery Powered Flood Light	LED Battery Powered Flood Light	AC LED Flood Light
Light source	LED	LED	LED
Watts (W)	10	20, 50	30, 50
Lumen output (lm)	450	1 100, 3 250	3 200, 5 100
Efficiency (lm/W)	55	55, 65	107, 102
Color temperature (K)	Cool White	Cool White	Cool White
CRI	70	70	70
Weight (lbs)	0.44	20 W: 4.85, 50 W: 9.26	30 W: 4, 50 W: 4.2



LED Mini Battery Powered Flood Light



20 W LED Battery Powered Flood Light



50 W LED Battery Powered Flood Light



30 W and 50 W AC Flood Light



¹ 10 W LED Mini Battery Powered Flood Light

QUICK SHIP AND TECHNICAL SPECIFICATION TABLE  1

Order code	Part number	Watts (W)	Volts (VAC)	Color temp. (K)	Lumen output (lm) ²	Efficiency (lm/W)	CRI	Beam angle (°)	Amperage (A)	Dimming ³ (Yes/No)	Lithium-ion battery		Battery working time (hrs)			Battery charging time (hrs)	Case qty (master)	
											(V)	(Ah)	100% brightness	50% brightness	20% brightness			Energy saving mode
LED Mini Battery Powered Flood Light																		
67023	MFL/BTRY/MGN/10W/CW/BL/STD	10	100-240	Cool White	450	55	70	120	2.0	Yes	3.7	2.0	2	N/A	N/A	4	3	50
LED Battery Powered Flood Light																		
67021	PFL/BTRY/100-240/20W/CW/YL/STD	20	100-240	Cool White	1 100	55	70	129	4.4	Yes	7.4	4.4	3	6	12	N/A	5	8
67022	PFL/BTRY/100-240/50W/CW/YL/STD	50	100-240	Cool White	3 250	65	70	120	6.5	Yes	18.5	6.6	3	6	12	N/A	6	2

Order code	Part number	Watts (W)	Volts (VAC)	Color temp. (K)	Lumen output (lm) ²	Efficiency (lm/W)	Wire	CRI	Life L70 (hrs)	Beam angle (°)	Amperage (A)	Dimming (Yes/No)	Case qty (master)
AC LED Flood Light													
67336	PFL/AC/30W/CW/ND/YL/STD	30	120	Cool White	3 200	107	18 AWG	70	25 000	120	0.27	No	8
67337	PFL/AC/50W/CW/ND/YL/STD	50	120	Cool White	5 100	102	18 AWG	70	25 000	120	0.46	No	8

¹ **QUICK SHIP:** Product availability is subject to change without notice. Please contact your Stanpro customer service representative to confirm inventory levels at time of order.
² Lumen values are derived from photometric testing. Initial lumens range: +/- 10 %.
³ Pre-set intensities

ACCESSORIES (order separately)

Order code	Part number	Watts (W)	Lithium-ion battery		Battery working time (hrs)			Battery charging time (hrs)	Compatible with	Case qty (master)
			(V)	(Ah)	100% brightness	50% brightness	20% brightness			
20 W Replacement Battery										
67024 ¹	PFL/REPLBTRY/7.4V/20W/YL/STD	20	7.4	4.4	3	6	12	5	67021	8



20 W Replacement Battery

Order code	Part number	Type	Watts (W)	Volts (VAC)	Compatible with	Case qty (master)
Replacement AC/DC Charger for Battery Powered Flood Lights						
67026	PFL/CHARGER/20W/STD	12 V 1A American Standard Charger	20	100-240	67021	25
67027	PFL/CHARGER/50W/STD	24 V 2A American Standard Charger	50	100-240	67022	25



Replacement AC/DC Charger for Battery Powered Flood Light

Order code	Part number	Type	Compatible with	Case qty (master)
Magnetic Feet for AC LED Flood Lights				
67338	PFL/AC/MAGNETICFEET/STD	Magnetic Feet (Pack of 4)	67336 67337	100



Magnetic Feet for AC LED Flood Lights

Order code	Part number	Minimum height		Maximum height		Compatible with	Case qty (master)
		(in.)	(m.)	(in.)	(m.)		
Tripod							
67025	PFL/TRIPOD/YL/STD	26.7	0.66	62	1.56	67021 (3 units) 67022 (2 units) 67336 (2 units) 67337 (2 units)	1



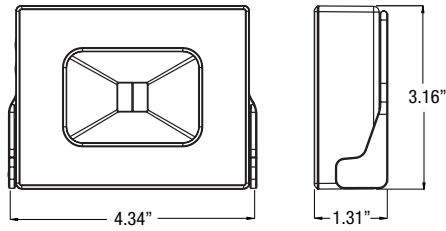
Tripod

¹ Only the 20 W Flood Light (#67021) has a battery that can be removed and replaced. The 50 W Flood Light (#67022) has an integrated battery.

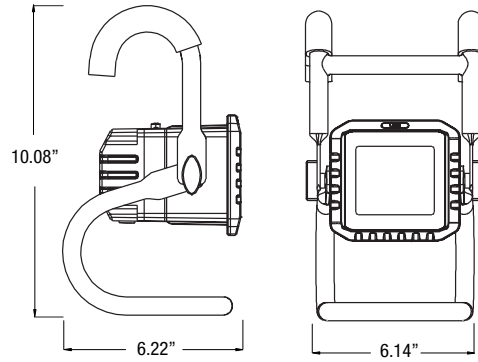
Data is based upon tests performed in a controlled environment. Actual performance can vary depending on operating conditions. All products are subject to change or may be discontinued any time without notice.

DIMENSIONS

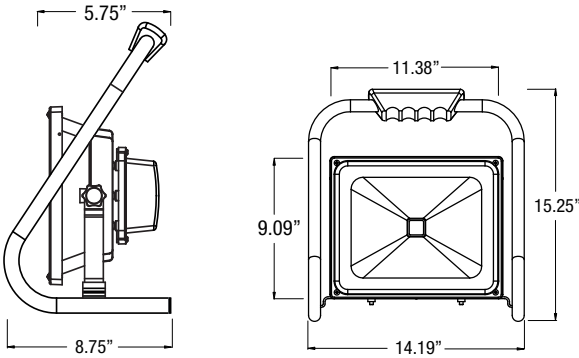
67023 10 W LED Mini Battery Powered Flood Light



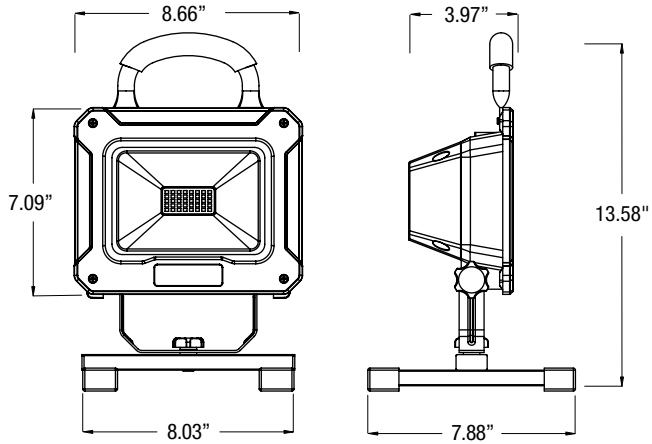
67021 20 W LED Battery Powered Flood Light



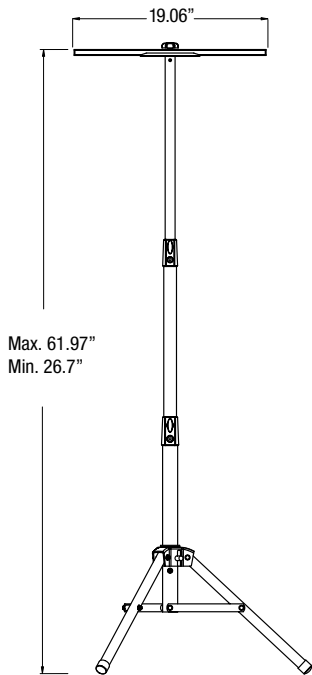
67022 50 W LED Battery Powered Flood Light



67336 30 W and 67337 50 W AC Flood Light



67025 Tripod

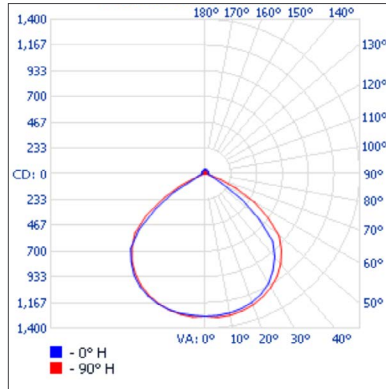


Data is based upon tests performed in a controlled environment. Actual performance can vary depending on operating conditions. All products are subject to change or may be discontinued any time without notice.

PHOTOMETRIC DATA¹

67336 - PFL/AC/30W/CW/ND/YL/STD • 3 508.0 lm

Polar candela distribution



Zonal lumen summary

Zone	Lumens	% Fixture
0-30	1 040.7	29.7
0-40	1 734.9	49.5
0-60	3 019.7	86.1
60-90	321.3	9.2
70-100	101.2	2.9
90-120	70.8	2
0-90	3 341.0	95.2
90-180	166.9	4.8
0-180	3 508.0	100

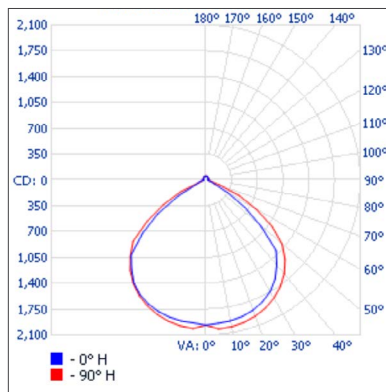
Illuminance at a distance

Center beam fc		Beam width	
17.0'	4.46	42.9'	49.6'
34.0'	1.12	85.9'	99.2'
51.0'	0.50	128.8'	148.8'
68.0'	0.28	171.7'	198.4'
85.0'	0.18	214.6'	248.0'
102.0'	0.12	257.6'	297.6'

■ Vert. spread: 103.2°
■ Horiz. spread: 111.1°

67337 - PFL/AC/50W/CW/ND/YL/STD • 5 315.4 lm

Polar candela distribution



Zonal lumen summary

Zone	Lumens	% Fixture
0-30	1 584.6	29.8
0-40	2 644.3	49.7
0-60	4 596.9	86.5
60-90	479.6	9
70-100	147.2	2.8
90-120	103.3	1.9
0-90	5 076.6	95.5
90-180	238.8	4.5
0-180	5 315.4	100

Illuminance at a distance

Center beam fc		Beam width	
17.0'	6.81	42.0'	49.2'
34.0'	1.70	84.1'	98.4'
51.0'	0.76	126.1'	147.6'
68.0'	0.43	168.1'	196.8'
85.0'	0.27	210.2'	246.0'
102.0'	0.19	252.2'	295.2'

■ Vert. spread: 102.1°
■ Horiz. spread: 110.7°

¹ Complete IES files available on our website.

Data is based upon tests performed in a controlled environment. Actual performance can vary depending on operating conditions. All products are subject to change or may be discontinued any time without notice.