

Series Spec Sheet

PRMS-2L / PRMS-3L / PRMS12-2L

“EASY OUT” STEEL COMBO RUNNING MAN

The commercial PRMS-2L, PRMS-3L et PRMS12-2L features a slim profile that prevents light leaks. Easy to install design, available in 6 VDC 36 W with over 4 hours duration and 12 VDC 72 W with over 8 hours duration.

FEATURES AND SPECIFICATIONS

• Circuitry

- 120/347 VAC 60 Hz input, field selectable
- LED Emergency DC wattages as follows:
6 VDC = 0.9 W; 12 VDC = 1.8 W
- 6 VDC 27 W and 36 W or 12 VDC 72 W emergency power output versions (as specified)
- 36 W: Up to 4 hours emergency power duration as a standalone unit
- 72 W: Up to 8 hours emergency power duration as a standalone unit
- Momentary push button test switch
- Pilot LED for AC ON and CHARGE
- Fully automatic, current limiter charger
- Solid state design and construction
- Short circuit protection
- Brown out circuit monitors flow of AC current and will energize the battery unit with emergency power when reduction in power occurs
- Temperature compensated
- Maintenance free, sealed lead acid battery

• Mechanical

- 18 Gauge steel construction
- Slide out faceplates and backplates for rapid and simple installation
- Universal spider knockout pattern stamped into backplate for junction box mounting
- Universal models include ceiling or end mount, field installable canopy kit c/w spider plate
- Front head mounting is standard
- Multiple conduit entry knockouts
- White powder coat finish standard
- PAR18 small style, high impact thermoplastic heads complete with high output optics
- LED heads with limited lifetime warranty¹

• Approvals

- CSA Certified to C22.2 #141-15, C860
- Meets requirement of ICES-005

• Compliance

- Meets requirements of ICES-005



OVERVIEW

PRMS-2L	- 6 VDC 36 W Battery Capacity - Over 4 hours Duration Standalone Unit - 2 x 2 W Crisp White LED heads with high output optics
PRMS-3L	- 6 VDC 36 W Battery capacity - Over 3 hours duration standalone unit - 2 x 3 W Crisp white LED heads with high output optics
PRMS12-2L	- 12 VDC 72 W Battery Capacity - Over 8 hours Duration Standalone Unit - 2 x 2.5 W Crisp White LED heads with high output optics



quick
ship



LED
fixture



ICES
005



Energy Verified
Energie Vérifiée

¹ For complete warranty details, please see the terms and conditions on our website.

QUICK SHIP AND TECHNICAL SPECIFICATION TABLE 🕒¹

Part number	DC Volts (VDC)	Watts (W)	Nbr of heads	Head	Lamp (W)	Light source	Input Volts (VAC)	Color
PRMS-2L	6	36	2	N	2	LED	120/347	White
PRMS-3L	6	36	2	N	3	LED	120/347	White
PRMS12-2L	12	72	2	N	2.5	LED	120/347	White

¹ **QUICK SHIP:** Product availability is subject to change without notice. Please contact your Stanpro customer service representative to confirm inventory levels at time of order.

WIREGUARD

	Part number	Dimensions (in)
Wall mount	WGD510-V2	19.75 x 19.75 x 7.25
Ceiling mount	WGD650-V2	17.75 x 17.75 x 16.50
End mount	WGD650-V2	17.75 x 17.75 x 16.50

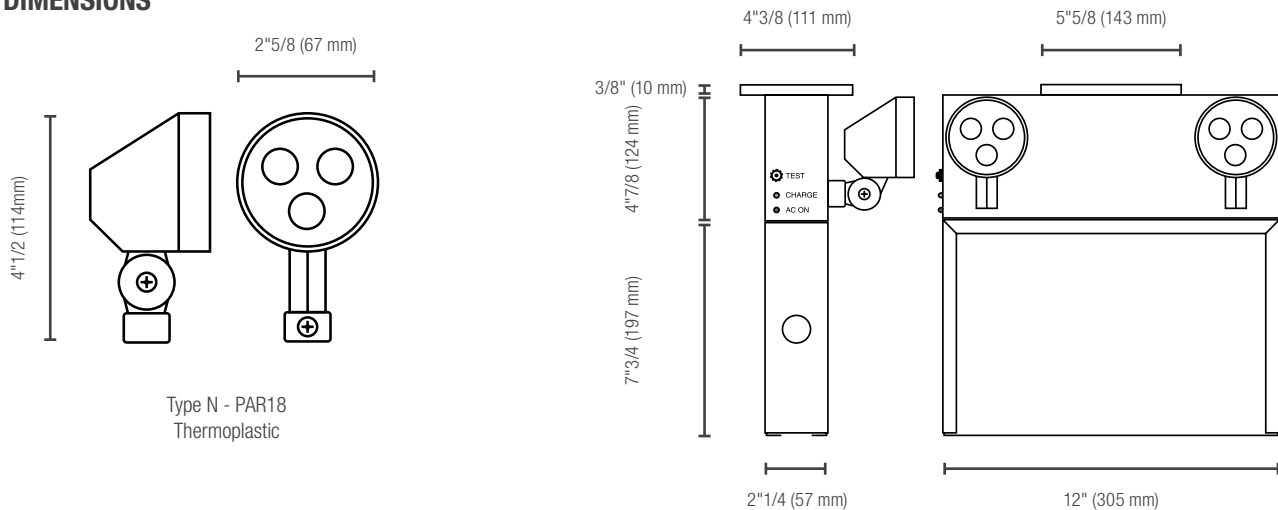
MODEL RATINGS

Model	Volts (V)	Wattage capacities (W)			
		30 min.	60 min.	90 min.	120 min.
PRMS-2L	6	36	18	12	9
PRMS-3L	6	36	18	12	9
PRMS12-2L	12	72	36	24	18

SPACING GUIDE

Mounting height	Spacing center to center (ft)		
	2 W	2.5 W	3 W
8 ft	31	41	78
10 ft	32	37	75
15 ft	23	38	66
20 ft	19	21	59

DIMENSIONS



Type N - PAR18
Thermoplastic

CONFIGURATIONS



Comes standard with three pictogram legends for direction selection.



For double face no arrow options, please order the PRMS along with the following fiber: FIBER-RMS

Data is based upon tests performed in a controlled environment. Actual performance can vary depending on operating conditions. All products are subject to change or may be discontinued any time without notice.