

Series Spec Sheet

PRS1

STEEL COMBO RUNNING MAN

The PRS1 series is our entry-level combination sign. Two PAR18 small style, front mounted heads are standard and complete the unit.

FEATURES AND SPECIFICATIONS

• Electrical Circuitry

- 120-347 VAC Input
- 6 VDC emergency power output
- Wattage capacities 27 W
- 120 minutes emergency power duration as a standalone unit
- Momentary push button test switch
- Pilot LEDs for AC, ON and CHARGE
- Fully automatic, current limiter charger
- Maintenance free, sealed lead acid battery

backplate for junction box mounting

- Universal models include ceiling or end mount, field installable canopy kit c/w spider plate
- White powder coat finish standard

• Approvals

- CSA Certified to C22.2 #141-15

• Compliance

- Meets requirements of ICES-005

• Mechanical

- 20 Gauge steel construction
- Universal spider knockout pattern stamped into



OVERVIEW

Light source	LED
Input voltage (VCA)	120-347
Sign emergency power consumption	6 VDC = 0.9 W
Output capacity (W)	27

POWER CONSUMPTION TABLE

Model	Voltage	Power	Current
PRS1	120 V	3.2 W	0.03 A
	277 V	3.4 W	0.014 A
	347 V	3.6 W	0.01 A



**quick
ship**



**LED
fixture**



Energy Verified
Energie Vérifiée

For complete warranty details, please see our terms and conditions on our website.

QUICK SHIP AND TECHNICAL SPECIFICATION TABLE

Part number	DC Volts (VDC)	Watts (W)	Nbr of faces	Nbr of heads	Head	Lamp (W)	Light source	Input Volts (VAC)	Color
PRS1	6	27	Universal	2	N	2	LED	120-347	White

QUICK SHIP: Product availability is subject to change without notice. Please contact your Stanpro customer service representative to confirm inventory levels at time of order.

MODEL RATINGS

Model	Volts (V)	Wattage capacities (W)			
		30 min	60 min	90 min	120 min
PRS1	6	27	14	9	7

ACCESSORIES (order separately)

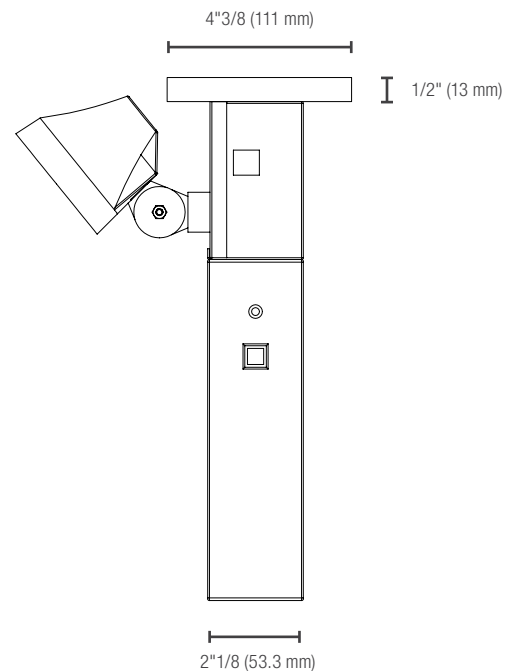
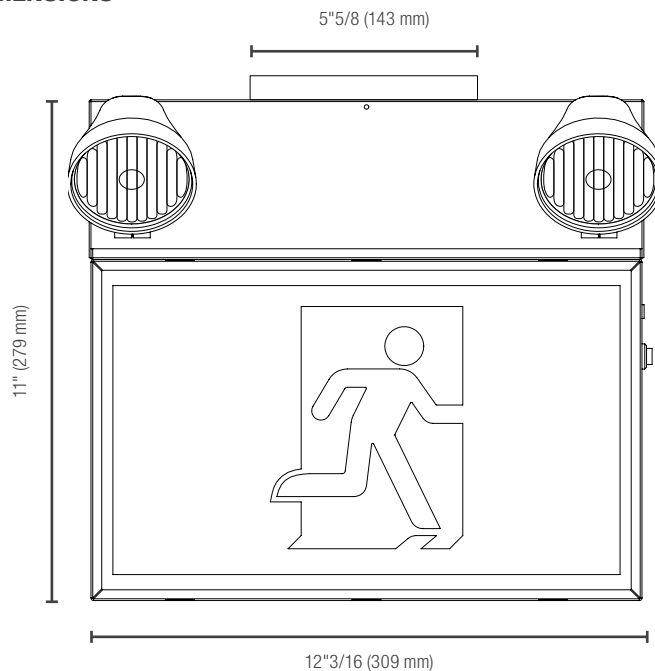
Part number	Type
FIBER-RMSE	Running man fiber no arrow

WIREGUARD

	Part number	Dimensions
Wall mount	WGD510	17.25" x 17.25" x 7"
Ceiling mount	WGD650	13.75" x 12.25" x 16.5"
End mount	WGD650	13.75" x 12.25" x 16.5"

¹ Please contact your Stanpro customer service representative for more information.

DIMENSIONS



CONFIGURATIONS



Comes standard with three pictogram legends for direction selection.



For double face no arrow options, please order the RMSE along with the following fiber: FIBER-RMSE

Data is based upon tests performed in a controlled environment. Actual performance can vary depending on operating conditions. All products are subject to change or may be discontinued any time without notice. Please contact your Stanpro customer service representative to confirm inventory levels at time of order.