

## Series Spec Sheet

# RMJ

## 10" STEEL RUNNING MAN

Durable and lightweight design

The clean lines of the RMJ steel sign presents a fully modern appearance. The steel provides a rigid, durable and lightweight sign. The high quality steel housing eliminates light leaks and provides superior illumination and uniformity.

### FEATURES AND SPECIFICATIONS

- **Circuitry - AC & AC/DC**

- 120/347 or 277 V AC Input
- Self-Powered or Universal DC
- Universal DC backup voltage from 6 to 24 VDC
- UDC Signs: -20 to +40°C

- **Circuitry - Self-Powered**

- 120/347 or 277 V AC Input
- 120 minutes emergency duration
- High-performance, Ni-Cad battery
- Solid state transfer and battery charger
- Self-powered Sign: +10 to +40°C

- **Mechanical**

- 10" height pictogram for great visibility
- 16 gauge steel construction
- Single and Double faces
- Universal mounting : ceiling mount, wall mount, end mount
- White colour standard
- Damp and wet location rated

- **Approvals**

- CSA 22.2 No. 141-15



### OVERVIEW

Light source	LED
Input voltage (V AC)	120/347 or 277
Input power (W)	2
DC voltage (V DC)	6 - 24
DC power (W)	2



## TYPICAL SPECIFICATION



### TYPICAL SPECIFICATION

Supply and install Stanpro RMJ Series, all steel 10" Running Man Exit Signs. The sign shall operate with AC/DC field selectable 120/347 or 277 V AC Input, field selectable Emergency DC voltage as follows 6 V to 24 V. The Self powered configuration shall be AC field selectable 120/347 or 277 V and consist of a long-lasting Nickel-Cadmium battery and shall stay illuminated for a minimum of 120 minutes upon AC failure. The face shall be illuminated by using Nichia LED ultra-bright light source. The sign shall be suitable for wall, end, or ceiling mount and come complete with 3 Running Man fibers for universal direction. The frame and back plate shall each be of a one-piece steel construction, be fully gasketed and come with stainless steel screws. The Exit Running Man Sign shall be CSA 22.2 No.141-15 certified, ICES 005 compliant and be Stanpro model number RMJ\_\_\_\_\_.

Data is based upon tests performed in a controlled environment. Actual performance can vary depending on operating conditions. All products are subject to change or may be discontinued any time without notice. Please contact your Stanpro customer service representative to confirm inventory levels at time of order.

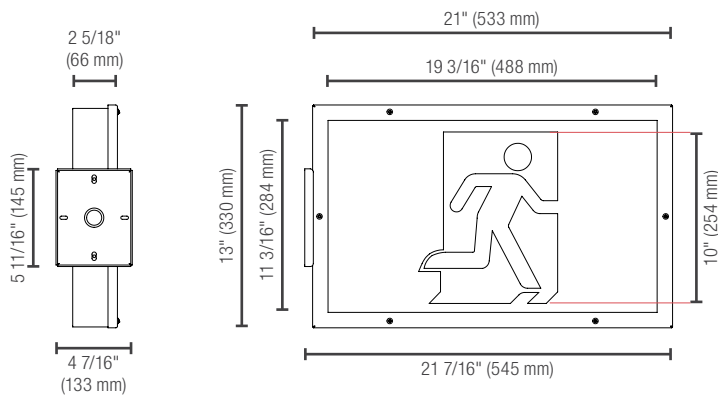
**ORDERING GUIDE**

RMJ			WH	—		/	
Series	No. of faces	Mounting	Colour	DC Voltage	Input Voltage	Options	
RMJ	1 - Single face 2 - Double face	CM - Ceiling mount WM - Wall mount EM - End mount	WH - White	UDC - Universal DC backup voltage from 6 to 24VDC IB1 - Self powered for 120 min	Blank - 120/347 E - 277	TP - Tamper Proof Screws 0 - No indicators (only for double face) D ↓ U ↑ UR ↗ DR ↘ DL ↙ UL ↖	

**EMERGENCY LIGHTING OPTIONS**

Option	Description
TP	Tamper Proof Screws

**DIMENSIONS**



**CONFIGURATION**



Comes standard (single face) with three pictogram legends for direction selection.



Comes standard (double face) with two pictogram legends for direction selection. Select option 0 to replace fibers with two no arrow fibers.

Data is based upon tests performed in a controlled environment. Actual performance can vary depending on operating conditions. All products are subject to change or may be discontinued any time without notice. Please contact your Stanpro customer service representative to confirm inventory levels at time of order.