

Series Spec Sheet

RMQ

THIN RUNNING MAN SERIES

Die Cast Aluminum

RMQ series of commercial decorative die cast aluminum exit signs are the perfect match of aesthetics and durability. The die cast construction produces an extremely rigid housing while the highly machined brushed housing lends a high-end look. The series has been designed to meet the C860 standard using energy efficient LEDs, with energy consumption as low as 1.9 W AC. Faceplates are hinged and snap into place for ease of installation.

FEATURES AND SPECIFICATIONS

• Circuitry - AC & AC/DC

- LED ultra bright light source
- 120/277/347 V AC input voltage, field selectable
- 1.9 W power consumption single, double face
- Emergency DC Wattages as follows:
**6 V DC = 0.9 W, 12 V DC = 0.9 W,
 24 V DC = 0.9W**

• Circuitry - CEREBRUM

- Emergency DC wattage as follow:
24 V DC = 0.10 A/2.4 W
- This unit can be connected to Cerebrum's smart battery unit. Please view the Cerebrum brochure for more details on this technology.

• Circuitry - Self-powered

- LED ultra bright light source
- 120/277/347 V AC input voltage, field selectable
- 2 W power consumption single, double face
- High-performance, sealed Ni-Cad battery
- 90 minutes emergency duration (standard)
 120 minutes emergency duration (optional)
- Solid state transfer and battery charger

• Mechanical

- Die cast aluminum, rigid housing construction
- Faceplates are hinged and snap into place for ease of installation
- Universal faces
- Universal spider knockout pattern stamped into back plate for junction box mounting
- Universal models include ceiling or end mount, field installable canopy kit
- Other colours are available, including custom color matching and brushed aluminum

• Approvals

- CSA Certified to C22.2 #141-15 and C860

• Compliance

- Meets requirements of ICES-005



OVERVIEW

Light source	LED
Input voltage (V AC)	120/277/347
Input power	1.9 W AC & AC/DC single or double face 2 W self-powered single or double face
DC Volts (V DC)	6, 12, 24
DC power (W)	0.9
DC power/voltage (Cerebrum)	24 V = 2.4 W

For complete warranty details, please see our terms and conditions on our website.



ICES
005



cerebrum
compatible



Energy-Verified
Energie-Vérfiée

TYPICAL SPECIFICATION



TYPICAL SPECIFICATION

Supply and install Stanpro RMQ Series, Die Cast Aluminum Running Man Exit Signs. The sign shall operate with AC/DC field selectable 120/277/347 V AC Input, field selectable Emergency DC voltage as follows 6 V 0.9 W, 12 V 0.9 W, 24 V DC 0.9 W. The Self powered configuration shall be AC field selectable 120/277/347v and consist of a long lasting Nickel-Cadmium battery and shall stay illuminated for a minimum of 120 minutes upon AC failure. The face shall be illuminated by using Nichia LED ultra- bright light source. The sign shall be suitable for wall, end, or ceiling mount and come complete with 3 Running Man fibers for universal direction. The frame and back plate shall each be of a one-piece die cast aluminum construction. The Exit Running Man Sign shall be CSA 22.2 No.141-15 certified, ICES 005 compliant and be Stanpro model number RMQ_____.

Data is based upon tests performed in a controlled environment. Actual performance can vary depending on operating conditions. All products are subject to change or may be discontinued any time without notice.

ORDERING GUIDE

Series	Nbr of faces	Frame/back plate color	Face color	DC Volts* (V DC)	Options
RMQ	1 - Single face 2 - Double face	WH - White (standard) BK - Black BA - Brushed aluminum	WH - White (standard) BK - Black BA - Brushed aluminum	UDC - Universal DC backup voltage 6, 12 and 24 IB - Self-powered for 90 minutes IB1 - Self-powered for 120 minutes CER - Cerebrum driver	AT ¹ - Automatic test Self-diagnostic K5 - 1/2" Knockout for pendant mount PGD - Lexan Guard (separate order) WGD ² - Wireguard (separate order) 0 - No indicators (double face only) ↓ ↑ ↗ ↘ ↙ ↘ D U UR DR DL UL

*If AC only is required, select the UDC option and do not connect the DC wires when installing.
¹ AT available with IB and IB1.
² Specify mounting.

WIREGUARD¹

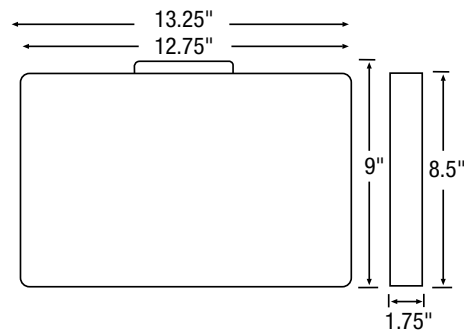
	Part number	Dimensions (in)
Wall mount	WGD520-V2	15.75 x 11.5 x 4.5
Ceiling mount	WGD540	14.5 x 6.25 x 10.5
End mount	WGD650-V2	17.75 x 17.75 x 16.50

¹ Please contact your Stanpro customer service representative for more information.

LEXAN GUARD

	Part number	Dimensions (in)
Wall mount	PGD109	14 x 9.75 x 3.5
Ceiling mount	PGD110	14 x 5.75 x 10
End mount	PGD106	5.5 x 9.25 x 18.5

DIMENSIONS



CONFIGURATIONS



Comes standard (single face) with three pictogram legends for direction selection.



Comes standard (double face) with two pictogram legends.



For double face no arrow options, select "0" on the options column.

Data is based upon tests performed in a controlled environment. Actual performance can vary depending on operating conditions. All products are subject to change or may be discontinued any time without notice.