

Series Spec Sheet

RMTE

EDGELIT

Universal Mounting

The RMTE series of commercial edgelit signs provides interiors with a clean, distinguished appearance. Standard universal surface mount with optional recessed backbox assembly. The RMTE series is available in AC only, AC/DC and internally self-powered versions.

FEATURES AND SPECIFICATIONS

• Electrical circuitry - AC & AC/DC

- LED ultra bright light source
- 120/277/347V AC Input, field selectable
- 120V/0.029 A/2.00W, 277V/0.008 A/1.60W, or 347V/0.011 A/1.90W max power consumption
- Emergency DC wattages as follows:
6V DC = 0.88W 12V DC = 0.85W
24V DC = 0.78W

• Electrical self-powered

- LED ultra bright light source
- 120/277/347V AC Input, field selectable
- 120V/0.034 A/3.50W, 277V/0.012 A/2.85W, or 347V/0.013 A/3.50W max power consumption
- High-performance, sealed Ni-Cad battery
- 90 minutes emergency duration (standard)
 120 minutes emergency duration is optional
- Solid state transfer and battery charger

• Specifications

- Housing, chassis, and finish trims are made from high grade aluminum. Backbox is made of steel.
- All electronics and faceplate mounted to single chassis for rapid and simple installation
- Separate backbox/housing (IC) can be pre-installed at any time prior to faceplate and electronics
- Hanger bars for drywall ceilings or walls included. Maximum extension of 540 mm
- White powder coat finish standard
- Every unit come standard with multiple running man legends
- Universal mounting for surface wall, ceiling, and pendant
- Black end caps and canopy come standard with brushed aluminum finish

• Approvals

- CSA Certified to C22.2 #141-15
- CSA Certified to C860-11

• Compliance

- Meets requirements of ICES-005



OVERVIEW

Light source	LED
Input voltage (V AC)	120/277/347
Input voltage	UDC or AC only: 120 V / 0.029 A / 2.00 W 277 V / 0.008 A / 1.60 W 347 V / 0.011A / 1.90 W Self-powered: 120 V / 0.034 A / 3.50 W 277 V / 0.012 A / 2.85 W 347 V / 0.013 A / 3.50 W
DC voltage/Power	06 V DC = 0.88 W 12 V DC = 0.85 W 24 V DC = 0.78 W

For complete warranty details, please see our terms and conditions on our website.



LED
fixture



ICES
005



Energy-Verified
Energie-Vérfiée

TYPICAL SPECIFICATION



TYPICAL SPECIFICATION

Supply and install Stanpro RMTE Series, The Running Man Edgelit Exit Sign shall be surface or fully recessed, operate with AC/DC field selectable 120/277/347 V AC Input, field selectable Emergency DC voltage as follows 6 V 0.9 W, 12 V 0.9 W, 24 V DC 0.9 W. The Self powered configuration shall be AC field selectable 120/277/347v and consist of a long lasting Nickel-Cadmium battery and shall stay illuminated for a minimum of 120 minutes upon AC failure. The face shall be illuminated by using Nichia LED ultra-bright light source. The sign shall be surface mount and suitable for, end, ceiling, or wall mount and come complete with 3 Running Man fibers for universal direction. The frame shall be extruded aluminum and come complete with a polycarbonate face plate for maximum uniformity. The recessed option shall consist of a rigid steel back box and come complete with field adjustable hanger bars. The Exit Running Man Sign shall be CSA 22.2 No.141-15 certified, ICES 005 compliant and be Stanpro model number RMTE_____.

Data is based upon tests performed in a controlled environment. Actual performance can vary depending on operating conditions. All products are subject to change or may be discontinued any time without notice.

ORDERING GUIDE

Series	Nbr of faces	Mounting	Color	DC Voltage*	Options
RMTE	0 - Universal 1 ¹ - Single face 2 ¹ - Double face	UM - Universal mount PM - Pendant mount	WH - White (standard) BK - Black BA - Brushed aluminum	UDC - Universal DC backup voltage from 6, 12 or 24 V DC selectable IB - Self-powered for 90 minutes IB1 - Self-powered for 120 minutes	AT - Automatic test Self-diagnostic OP - Special wording CCWH ² - Canopy and endcaps white (order separately) LB - Low Brightness 0 - No indicators (double face only) ↓ ↑ ↗ ↘ ↙ ↘ D U UR DR DL UL

*If AC only is required, select the UDC option and do not connect the DC wires when installing.
¹ Unit comes standard as universal face. Single face or double face should only be specified when choosing nonstandard fibers.
² For brushed aluminum only.

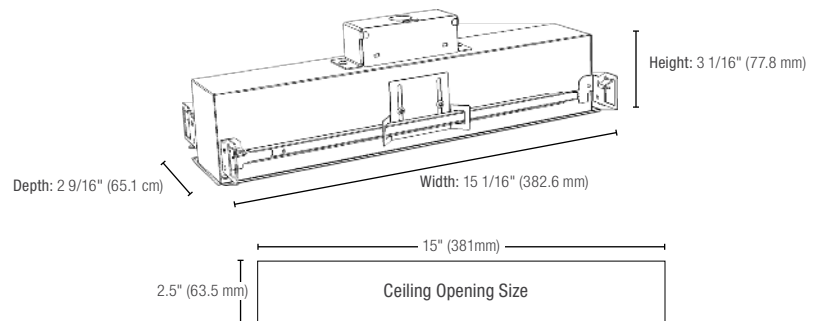
ACCESSORIES (order separately)

Part number	Type
CPY-CCWH-SIN	Canopy and endcaps white (for brushed aluminum only)

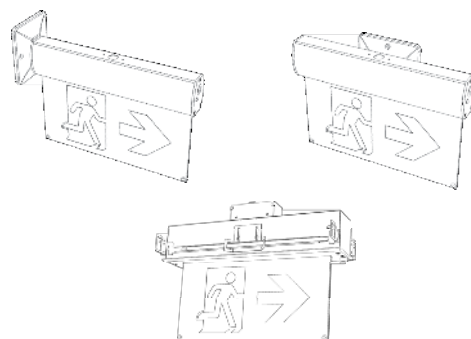
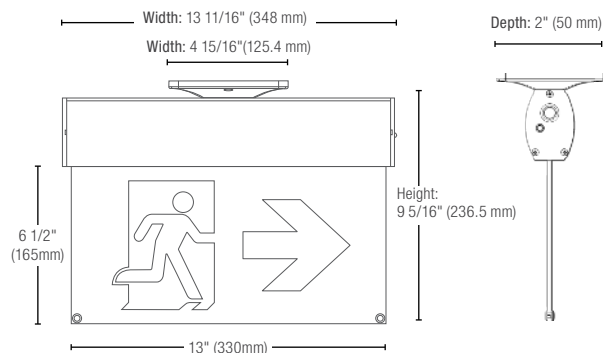
MOUNTING

To convert from surface mount to recessed mount, please order appropriate colored mounting conversion kit separately.

Part number	Type
UDC	
BBX-TE-BA-U	Recessed backbox with brushed aluminum trim
BBX-TE-WH-U	Recessed backbox with white trim
BBX-TE-BK-U	Recessed backbox with black trim
IB	
BBX-TE-BA-B	Recessed backbox with brushed aluminum trim
BBX-TE-WH-B	Recessed backbox with white trim
BBX-TE-BK-B	Recessed backbox with black



DIMENSIONS



CONFIGURATIONS



Comes standard with three pictogram legends for direction selection.

Data is based upon tests performed in a controlled environment. Actual performance can vary depending on operating conditions. All products are subject to change or may be discontinued any time without notice.