

Series Spec Sheet

RMV

VANDAL RESISTANT NBC2015 Compliant

The RMV series is designed to withstand extremely abusive environments like correctional facilities and schools. The signs are constructed from 16 gauge steel with an integral Lexan shield. Available in AC only, AC/DC and internally self-powered versions.



FEATURES AND SPECIFICATIONS

• Circuitry - AC & AC/DC

- LED ultra bright light source
- 120/277/347 V AC Input, field selectable
- 1.9 W power consumption single or double face
- Emergency DC wattages as follows:
**6 V DC = 0.9 W, 12 V DC = 0.9 W,
24 V DC = 0.9 W**

• Circuitry - CEREBRUM

- Emergency DC wattage as follow:
24 V DC = 0.10 A/2.4 W
- This unit can be connected to Cerebrum's smart battery unit. Please view the Cerebrum brochure for more details on this technology.

• Circuitry - Self-powered

- LED ultra bright light source
- 120/277/347 V AC Input, field selectable
- 2.0 W power consumption single or double face
- High-performance, sealed Ni-Cad battery
- 90 minutes emergency duration (standard)
120 minutes emergency duration is optional
- Solid state transfer and battery charger

• Mechanical

- 16 Gauge heavy-duty steel construction standard
- Solid and durable wrap-around faceplate design
- Integral polycarbonate shield behind full steel faceplate to prevent punch through
- Stainless steel, vandal-proof screws standard
- Universal spider knockout pattern stamped into backplate for junction box
- Full width/height, ceiling or end mount canopy
- White powder coat finish standard, other finishes and colors optional

• Approvals

- CSA Certified to C22.2 #141-15, C860

• Compliance

- Meets requirements of ICES-005

OVERVIEW

Light source	LED
Input voltage (V AC)	120/277/347
Input power	1.9 W AC & AC/DC (single or double face) 2 W self-powered (single or double face)
DC voltage (V DC)	6, 12, 24
DC power (W)	0.9
DC power/voltage (Cerebrum)	24 V = 2.4 W

For complete warranty details, please see our terms and conditions on our website.



ICES
005



cerebrum
compatible



Energy-Verified
Energie Vérifiée

TYPICAL SPECIFICATION



TYPICAL SPECIFICATION

Supply and install Stanpro RMV series vandal resistant, all steel 16-gauge housing, factory installed behind the face plate, high impact Lexan shield Running Man Exit Signs. The sign shall operate with AC/DC field selectable 120/277/347 V AC Input, field selectable Emergency DC voltage as follows 6 V 0.9 W, 12 V 0.9 W, 24 V DC 0.9 W. The Self powered configuration shall be AC field selectable 120/277/347v and consist of a long lasting Nickel-Cadmium battery and shall stay illuminated for a minimum of 120 minutes upon AC failure. The face shall be illuminated by using Nichia LED ultra-bright light source. The sign shall be either: wall, end, or ceiling mount and come as single for double face. The frame and back plate shall each be of a one-piece steel construction and come with a full width / height, ceiling or end mount canopy. The Exit Running Man Sign shall be CSA 22.2 No.141-15 certified, ICES 005 compliant and be Stanpro model number RMV_____.

Data is based upon tests performed in a controlled environment. Actual performance can vary depending on operating conditions. All products are subject to change or may be discontinued any time without notice.

ORDERING GUIDE

Series	Nbr of faces	Mounting	Color	DC Voltage* (V DC)	Options
RMV	1 - Single face 2 - Double face	CM - Ceiling mount WM - Wall mount EM - End mount	WH - White (standard) SP - Custom color (please specify)	UDC - Universal DC backup voltage from 6 to 24 IB - Self-powered for 90 minutes IB1 - Self-powered for 120 minutes CER - Cerebrum driver	AT ¹ , BO ² , HVC, OP, WGD ³ , WO ² O - No indicators (double face only) ↓ ↑ ↗ ↘ ↙ ↘ D U UR DR DL UL Note: Indicators option available for single & double option only.

*If AC only is required, select the UDC option and do not connect the DC wires when installing.

¹ T available with IB and IB1.

² Available only with OP option.

³ Specify mounting.

EMERGENCY LIGHTING OPTIONS

Option	Description
AT	Automatic test Self-diagnostic
BKO ¹	Black Out Option (special wording)
HVC	Heavy-duty full width ceiling mount canopy
OP	Special Wording
WGD	Wireguard (separate order)
WO ¹	White Out Option (special wording)

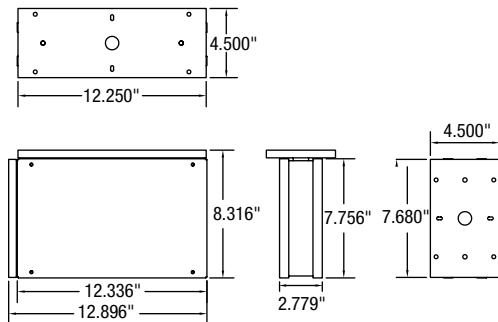
¹ Available only with OP option.

WIREGUARD¹

	Part number	Dimensions (in)
Wall Mount	WGD520-V2	15.75 x 11.5 x 4.5
Ceiling Mount	WGD540	14.5x6.25x10.5
End Mount	WGD650-V2	17.75 x 17.75 x 16.50

¹ Please contact your STANPRO customer service representative for more information.

DIMENSIONS



LEXAN GUARD

	Part number	Dimensions (in)
Wall Mount	PGD109	14 x 9.75 x 3.5
Ceiling Mount	PGD110	14 x 5.75 x 10
End Mount	PGD106	5.5 x 9.25 x 18.5

CONFIGURATIONS



Comes standard (single face) with three pictogram legends for direction selection.



Comes standard (double face) with two pictogram legends.



For double face no arrow options, select "No indicators" on the options column.

Data is based upon tests performed in a controlled environment. Actual performance can vary depending on operating conditions. All products are subject to change or may be discontinued any time without notice.