

## Series Spec Sheet

# RMXL

## EXTRUDED ALUMINUM

NBC2015 Compliant

120/277/347 V AC Input

The clean lines of the RMXL series of commercial extruded aluminum signs present a fully modern appearance. The extruded aluminum provides for a rigid, durable and lightweight sign. Available in AC only, AC/DC and internally self-powered versions.

### FEATURES AND SPECIFICATIONS

#### • Circuitry - AC & AC/DC

- LED ultra bright light source
- 120/277/347 V AC Input, field selectable
- 1.9 W power consumption single or double face
- Emergency DC wattages as follows:  
**6 V DC = 0.9 W, 12 V DC = 0.9 W, 24 V DC = 0.9 W**

#### • Circuitry - CEREBRUM

- Emergency DC wattage as follow:  
**24 V DC = 0.10 A/2.4 W**
- This unit can be connected to Cerebrum's smart battery unit. Please view the Cerebrum brochure for more details on this technology.

#### • Circuitry - Self-powered

- LED ultra bright light source
- 120/277/347 V AC Input, field selectable
- 2 W power consumption single or double face
- High-performance, Ni-Cad battery
- 90 or 120 minutes emergency duration
- Solid state transfer and battery charger

#### • Mechanical

- Single, double or universal face
- Extruded aluminium construction
- Slide in/out captive faceplate(s) and backplate for rapid and simplified installation
- Universal spider knockout patterns stamped into backplate for junction box mounting
- Universal models include ceiling or end mount, field installable canopy kit c/w spider plate
- White powder coat finish standard, other finishes and colors optional

#### • Approvals

- CSA Certified to C22.2 #141-15, C860

#### • Compliance

- Meets requirements of ICES-005



### OVERVIEW

Light source	LED
Input voltage (V AC)	120/277/347
Input power	1.9 W AC & AC/DC (single or double face) 2 W self-powered (single or double face)
DC voltage (V DC)	6, 12, 24
DC power (W)	0.9
DC power/voltage (Cerebrum)	24 V = 2.4 W

For complete warranty details, please see our terms and conditions in our website



**cerebrum**  
compatible



**LED**  
fixture



**ICES**  
005



Energy Verified  
Energie Vérifiée

## TYPICAL SPECIFICATION



## TYPICAL SPECIFICATION

Supply and install Stanpro RMXL Series, Extruded Aluminum Running Man Exit Signs. The sign shall operate with AC/DC field selectable 120/277/347 V AC Input, field selectable Emergency DC voltage as follows 6 V 0.9 W, 12 V 0.9 W, 24 V DC 0.9 W. The Self powered configuration shall be AC field selectable 120/277/347v and consist of a long lasting Nickel-Cadmium battery and shall stay illuminated for a minimum of 120 minutes upon AC failure. The face shall be illuminated by using Nichia LED ultra-bright light source. The sign shall be suitable for wall, end, or ceiling mount and come complete with 3 Running Man fibers for universal direction. The frame and back plate shall each be of a one-piece extruded aluminium construction. The Exit Running Man Sign shall be CSA 22.2 No.141-15 certified, ICES 005 compliant and be Stanpro model number RMXL\_\_\_\_\_.

Data is based upon tests performed in a controlled environment. Actual performance can vary depending on operating conditions. All products are subject to change or may be discontinued any time without notice.

**ORDERING GUIDE**

Series	Nbr of faces	Color	DC Voltage* (V DC)	Options
RMXL	0 - Universal face 1 - Single face 2 - Double face	WH - White (standard) BK - Black GY - Grey BA - Brushed aluminum SP - Custom color (please specify)	UDC - Universal DC backup voltage from 6 to 24 IB - Self-powered for 90 minutes IB1 - Self-powered for 120 minutes CER - Cerebrum driver	AT <sup>1</sup> , BO, K5, OP, PGD <sup>2</sup> , TP, VS <sup>2</sup> , WGD <sup>2</sup> , WO, LB 0 - No indicators (double face only) ↓ ↑ ↗ ↘ ↙ ↘ D U UR DR DL UL <b>Note:</b> Indicators option available for single & double option only.

\* If AC only is required, select the UDC option and do not connect the DC wires when installing.  
<sup>1</sup> AT available with IB and IB1.  
<sup>2</sup> Specify mounting.

**EMERGENCY LIGHTING OPTIONS**

Option	Description
AT	Automatic test Self-diagnostic
BO	Black out Option (special wording)
K5	1/2" Knockout for pendant mount
OP	Special Wording
PGD	Lexan Guard (separate order)
TP	Tamper proof screw
VS	Vandal resistant shield
WGD	Wireguard (separate order)
WO	White out Option (special wording)
LB	Low Brightness

**WIREGUARD<sup>1</sup>**

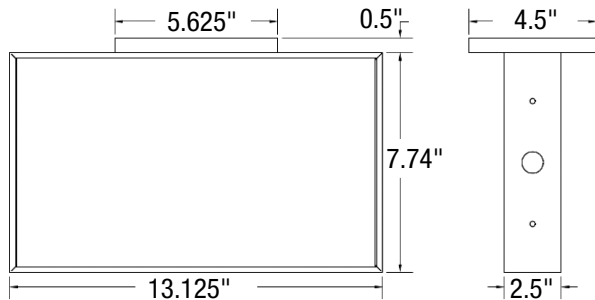
	Part number	Dimensions (in)
Wall Mount	WGD520-V2	15.75 x 11.5 x 4.5
Ceiling Mount	WGD540	14.5 x 6.25 x 10.5
End Mount	WGD650-V2	17.75 x 17.75 x 16.50

<sup>1</sup> Please contact your Stanpro customer service representative for more information.

**LEXAN GUARD**

	Partnumber	Dimensions (in)
Wall Mount	PGD109	14 x 9.75 x 3.5
Ceiling Mount	PGD110	14 x 5.75 x 10
End Mount	PGD106	5.5 x 9.25 x 18.5

**DIMENSIONS**



**CONFIGURATIONS**



Comes standard (single and universal face) with three pictogram legends for direction selection.



Comes standard (double face) with two pictogram legends.



For double face no arrow options, select "No indicators" on the options column.

Data is based upon tests performed in a controlled environment. Actual performance can vary depending on operating conditions. All products are subject to change or may be discontinued any time without notice.