

Series Spec Sheet

SL1

STEEL BATTERY UNIT

The SL1 is an entry-level steel battery unit designed to provide dependable emergency lighting.

FEATURES AND SPECIFICATIONS

- **Circuitry**
 - 120-347 VAC 60 Hz input
 - 6 VDC 27 W emergency power output versions
 - Momentary push button test switch
 - Pilot LED for AC ON and CHARGE
 - Fully automatic, current limiter charger
 - Solid state design and construction
 - Complete battery recharge in 24 hours
 - Maintenance free, sealed lead acid battery
 - Wire connexions provided for remote load
- **Mechanical**
 - 20 gauge steel construction
 - 120 VAC line cord supplied loose in the box
 - Universal spider knockout pattern and keyhole mounting slots stamped into back of cabinet
- Multiple conduit entry knockouts
- White powder coat finish
- **Approvals**
 - CSA Certified to C22.2 #141-15
- **Compliance**
 - Meets requirements of ICES-005



OVERVIEW

Heads	2 x 2W LED
Input Voltage (VAC)	120-347
Output voltage (VDC)	6
Output power (W)	27

POWER CONSUMPTION TABLE

Model	Voltage	Power	Current
SL1	120 V	3.2 W	0.03 A
	277 V	3.4 W	0.014 A
	347 V	3.6 W	0.01 A



**quick
ship**



**LED
fixture**



**ICES
005**



For complete warranty details, please see our terms and conditions on our website.

QUICK SHIP AND TECHNICAL SPECIFICATION TABLE 

Part number	DC Volts (VDC)	Watts (W)	Nbr of heads	Head	Lamp (W)	Light source	Input Volts (VAC)	Color
SL1	6	27	2	N	2	LED	120-347	White

QUICK SHIP: Product availability is subject to change without notice. Please contact your Stanpro customer service representative to confirm inventory levels at time of order.

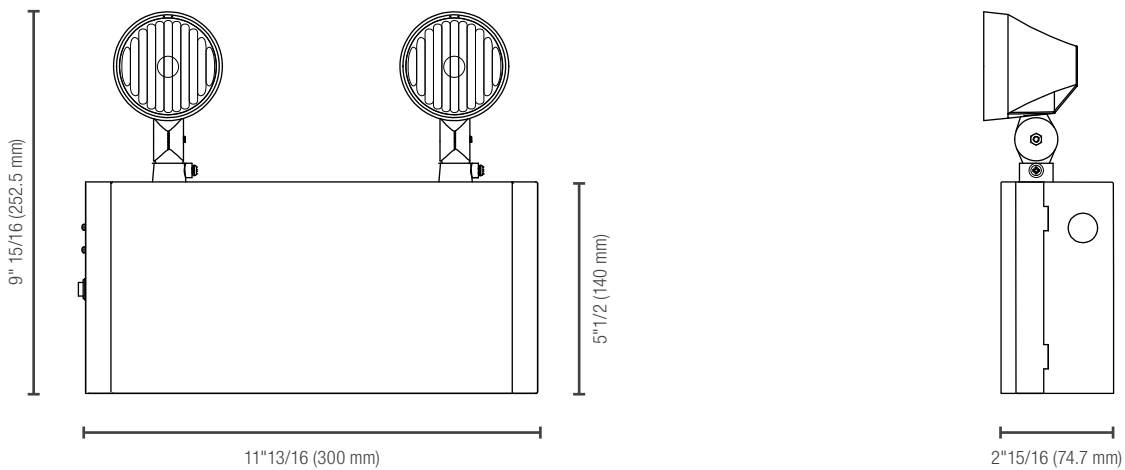
MODEL RATINGS

Model	Volts (V)	Wattage capacities (W)			
		30 min	60 min	90 min	120 min
SL1	6	27	14	9	7

WIREGUARD

Part number	Dimensions
WGD590-V2	17.75" x 16.75" x 6.5"

DIMENSIONS



Data is based upon tests performed in a controlled environment. Actual performance can vary depending on operating conditions. All products are subject to change or may be discontinued any time without notice. Please contact your Stanpro customer service representative to confirm inventory levels at time of order.