

## Series spec sheet

# SLBXP

## HAZARDOUS LOCATION BATTERY UNIT

Class I, Division 1, Groups C & D, Zone 1 & 2, Groups IIA & IIB  
6, 12 or 24 VDC Models  
120/347 VAC Input

Designed to meet the strictest codes and standards, the SLBXP series of hazardous location battery units provides safe and dependable operation. The SLBXP series housings are built with die cast, copper free aluminum, in a variety of Class and Division rated models. Available in 6 VDC, 12 VDC and 24 VDC models in a range of capacities from 36 W to 320 W, for 30 minutes duration.

### FEATURES AND SPECIFICATIONS

#### • Circuitry

- Range of input voltages 120 or 347 VAC
- Single or double internal MR16 lamp assemblies
- 6 VDC, 12 VDC or 24 VDC emergency power output versions (as specified)
- Wattage capacities from 36 W to 320 W
- 30 minutes emergency power duration standard
- Diagnostic/pilot LED for AC ON
- High efficiency, rapid recovery, precision control charging system
- Brownout and short circuit protection
- Temperature compensated
- Large magnum terminal screw type connectors for remote load connection
- Maintenance free, sealed lead acid battery

#### • Mechanical

- Die cast, copper free aluminum housing - grey aluminum finish
- Housing cavity accessed via large circular screw on/off cover plate
- Standard stainless steel one-way breather valve for release of gases and/or moisture condensation
- Housing c/w tapped and plugged rigid holes
- Solid state design and construction
- Oversized integral mounting holes/forks accept heavy-duty mounting hardware
- Internal MR16 lamp assembly is fully adjustable
- Temperature code: T6

#### • Approvals

- CSA Certified to C22.2 #137
- CSA Certified to C22.2 #141-15
- Class I, Division 1, Groups C & D
- Class I, Zone 1 & 2, Groups IIA & IIB

#### • Compliance

- Meets requirements of ICES-005



### OVERVIEW

Input voltage (VAC)	120, 347
DC voltage (VDC)	6, 12, 24
Output power (W)	36 - 320

For complete warranty details, please see our terms and conditions on our website.



hazardous  
location



ICES  
005



**ORDERING GUIDE**

SLBXP			1	1	CD		—		
Series	Volts (V)	Watts	Class	Div.	Group	Input voltage (V)	Head	Lamp/Head	Lamp
SLBXP	6 - 6 1 - 12 2 - 24	See model rating below	1	1	C D	Blank - 120/347	1R - Single 2R - Double	1L - Single lamp assembly 2L - Double lamp assembly	See lamp selection below

**LAMP SELECTION**

MR16	6 V	12 V	24 V
LED	4LR, 5LA	4LR, 5LA, 6LA, 7LA	4LR, 5LA, 6LA, 7LA

**LUMEN TABLE**

Watts	Lumens
4W LR	388
5W LA	435
6W LA	507
7W LA	652

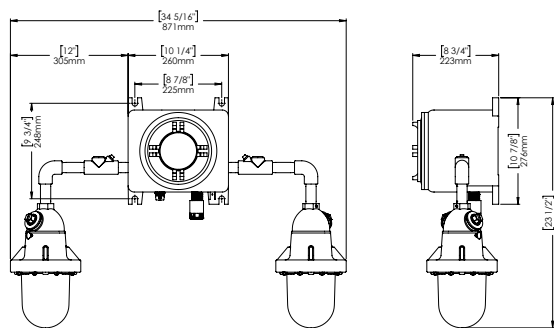
**MODEL RATINGS**

Model	Housing	Volts (V)	Wattage capacities (W)			
			30 min.	60 min.	90 min.	120 min.
SLBXP6036	A	6	36	18	12	9
SLBXP6050	A		50	25	16	12
SLBXP6072	A		72	36	24	18
SLBXP1036	A	12	36	18	12	9
SLBXP1050	A		50	25	16	12
SLBXP1072	A		72	36	24	18
SLBXP1100	A		100	50	33	25
SLBXP1160	B		160	80	53	40
SLBXP1200	B		200	100	66	50
SLBXP2144	A	24	144	72	48	36
SLBXP2320	B		320	160	106	80

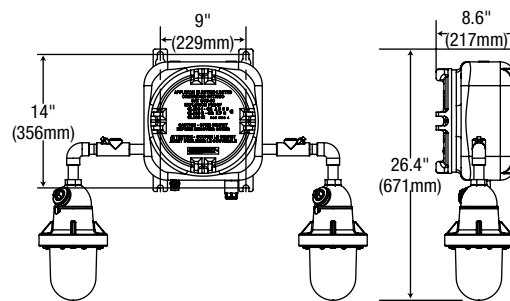
**DIMENSIONS**

Dimensions are subject to change according to exact Class, Division & Group specifications.

**ENCLOSURE A**



**ENCLOSURE B**



**SPACING GUIDE**

Mounting height	Spacing center to center (ft)			
	4LR	5LA	6LA	7LA
8 ft	76	81	94	108
10 ft	79	79	93	106
15 ft	66	62	82	96
20 ft	53	49	73	87

Data is based upon tests performed in a controlled environment. Actual performance can vary depending on operating conditions. All products are subject to change or may be discontinued any time without notice.