

SPEXH

HAZARDOUS LOCATION EXIT

Class I, Division 2, Groups C, D
12 V DC, 36 - 200 Watts

The SPEXH series of Class I, Division II rated exit combos is designed to perform in demanding hazardous applications. The unit maintains its sealed interior with a continuous integral gasket. As well LED pilot light and test switch are sealed type. The breather, pilot light and test switch have all been mounted into the bottom of the enclosure to allow for quick and simple visual inspection and maintenance testing from below.

FEATURES AND SPECIFICATIONS

• Circuitry

- LED ultra bright light source
- 120/347 V AC Input, field selectable
- 12 V DC emergency power output
- Wattage capacities from 36 to 200 watts
- 30 minutes emergency power duration standard
- Sealed momentary push button test switch
- Diagnostic/pilot LED for AC ON
- Fully automatic, current limited charger
- Solid state design and construction with brownout and short circuit protection
- Temperature compensated
- Large terminal strip connector all electrical connections - AC and DC
- Maintenance free, sealed lead acid battery

• Mechanical

- Heavy-duty non-metallic, reinforced construction
- One piece, molded and gasketed lens
- Removable directional chevrons/arrows
- Bottom hinged cover secured with two screws
- One-way breather valve for release of gases and/or moisture condensation
- All external metal hardware is stainless steel
- Single face, wall mount only
- Grey finish housing, white faceplate standard

• Approvals

- CSA Certified to C22.2 #137
- CSA Certified to C22.2 #141-15
- CSA Certified to C860-11
- Class I, Division 2, Groups C, D

Project: _____
 Type: _____
 Catalogue #: _____
 Drawn by: _____
 Date: _____



BOTTOM VIEW

- 1- AC ON PILOT LED
- 2- BREATHER VALVE
- 3- TEST SWITCH

OVERVIEW

Light source	LED
Input voltage	120/347 V AC
Output voltage	12 V DC
Output power	36W - 200 W



hazardous location

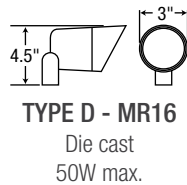


ORDERING GUIDE

SPEXH	1		1	—	
Series	Voltage	Wattage	Face	Head/Lamp	Lamp
SPEXH	1 - 12 V DC	See model rating below	1 - Single face	00 - No heads 1D - One MR16 Weather-Proof 2D - Two MR16 Weather-Proof	See lamp selection chart below

LAMP SELECTION

12 Volts	
MR16 - Small head c/w MR16 Lamp	
Quartz Halogen	20Q
LED	4LR, 5LA, 6LA, 7LA



TEMPERATURE CODES

Head/Lamp	Temperature code (25°C)	Temperature code (40°C)
00	T5	T4A
D4L	T5	T4A
D5L	T3C	T3B
D6L	T4	T3C
D7L	T4	T3C
D8Q	T4	T3C
D10Q	T3C	T3B
D12Q	T3C	T3B
D20Q	T2D	T2C
D35Q	T2B	T2A
D50Q	T1	T1

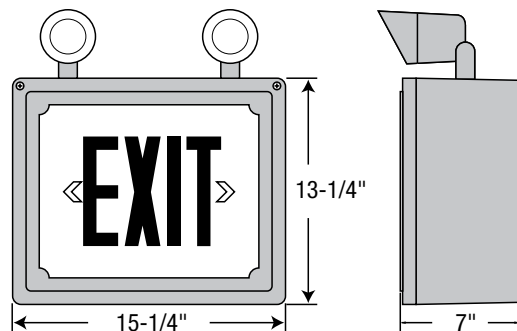
MODEL RATINGS

Wattage capacities				
Model	Voltage	30 min.	60 min.	90 min.
SPEXH10361	12 V DC	36	18	12
SPEXH10501	12 V DC	50	25	16
SPEXH10721	12 V DC	72	36	24
SPEXH11001	12 V DC	100	50	33
SPEXH11601	12 V DC	160	80	53
SPEXH12001	12 V DC	200	100	66

LUMEN TABLE

Watts	Lumens
4W LR	388
5W LA	435
6W LA	507
7W LA	652

DIMENSIONS



All products are subject to change or may be discontinued any time without notice.