

Series Spec Sheet

SPEXW

COMBO RAINSTORM

NEMA4X/EEMAC4X

The Stanpro SPEXW series of NEMA4X and EEMAC4X rated water tight combination EXIT signs provides exceptional protection from extreme environments. Suitable for outdoor and wash-down locations, the SPEXW series is designed using a thermoplastic housing. The housing features four enclosed, integral wall mounting points and a moulded gasket that completely seals the housing from the elements.

FEATURES AND SPECIFICATIONS

• Circuitry

- LED ultra bright light source
- 120/347 V AC 60 Hz Input, field selectable
- 1.8 W power consumption for LED "Exit" portion of combinations sign
- LED Emergency DC wattages as follows:
6 V DC = 1.0 W 12 V DC = 1.5 W
- Wattage capacities from 36 W to 100 W
- 30 minutes emergency power duration standard
- Diagnostic/pilot LEDs for AC ON and CHARGE
- Fully automatic, current limited charger
- Temperature compensated
- Complete battery recharge in 24 hours
- Maintenance free, sealed lead acid battery

• Mechanical

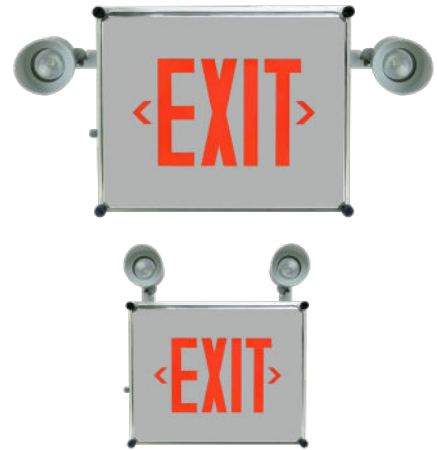
- Heavy-duty fiberglass reinforced thermoplastic housing
- Face plate is form molded one piece gasket from dust and water
- Faceplate(s) is secured to the housing with four captive oversized screws
- One-way breather for escape of gasses or condensation installed on all models
- Grey finish standard.

• Approvals

- CSA Certified to C22.2 #141-15
- CSA Certified to C860-11

• Compliance

- Meets requirements of ICES-005



OVERVIEW

Light source	LED
Input voltage	120/347 V AC 60 Hz
Input power	1.8 W
DC voltage/wattage	6 V DC = 1.0 W, 12 V DC = 1.5 W
Output power	36 W - 100 W



LED
fixture



ICES
005



Energy Verified
Energie Verifiée

ORDERING GUIDE

Series	Nbr of faces	Frame color	Mask color	Head/Lamp	Lamp	Mounting	Options [†]
SPEXW0636 SPEXW0650 SPEXW1236 SPEXW1250 SPEXW1272 SPEXW12100 See rating chart below	1 - Single face 2 - Double face	GY - Grey	GY - Grey (standard)	00 - No heads 1D - 1 MR16 2D - 2 MR16	See lamp selection chart below	WM - Wall mount CM - Ceiling mount	WG*, BO, WO, SPW, SMH**, AT

† For detailed options descriptions, please consult the options page.

* Specify mounting.

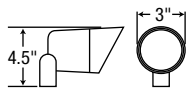
** Only available with ceiling mount.

LAMP SELECTION

	6 Volts	12 Volts
MR16 • Small head c/w MR16 Lamp		
LED	4LR, 5LA	4LR, 5LA, 6LA, 7LA
Quartz halogen	10Q	20Q, 35Q

LUMEN TABLE

Watts	Lumens
4W LR	388
5W LA	435
6W LA	507
7W LA	652



TYPE D - MR16

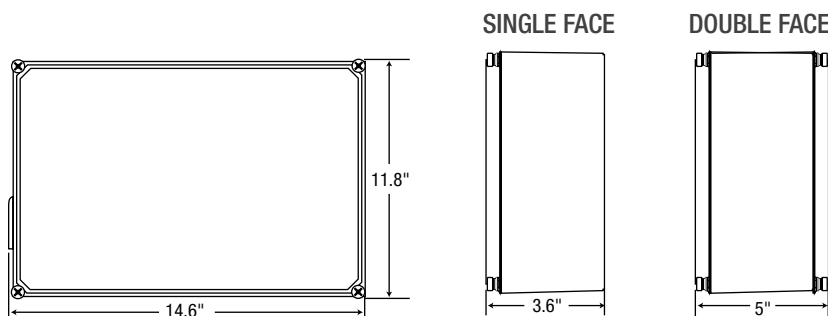
Die cast

50W max.

MODEL RATINGS

Wattage capacities				
Model	Voltage (V)	30 min.	60 min.	90 min.
SPEXW0636	6	36	18	12
SPEXW0650	6	50	25	16
SPEXW1236	12	36	18	12
SPEXW1250	12	50	25	16
SPEXW1272	12	72	36	24
SPEXW12100	12	100	50	33

DIMENSIONS



Data is based upon tests performed in a controlled environment. Actual performance can vary depending on operating conditions.
All products are subject to change or may be discontinued any time without notice.