

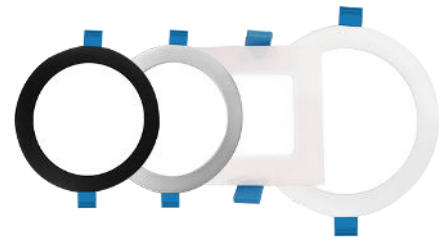
Series Spec Sheet

LPDL CCT SELECTABLE

LED LOW PROFILE DOWNLIGHT

5 color temperature selection

LPDL gives you all the flexibility you need during installation, especially in shallow area or when facing constraints such as wood beams, ceiling joist or air ducts. The driver is mounted separately from the light source which allows the luminaire profile to be less than 1" thick! It is the perfect all-in-one solution with integrated 5 color temperature selection.



FEATURES AND SPECIFICATIONS

• Construction

Physical Characteristics

- Less than 1" thick
- Available in 3", 4" and 6"
- Round and Square shapes
- White, Black and Brushed Nickel aluminum trims
- CCT switch is directly placed on the LED module or on the LED driver to easily change the color temperature when needed
- FT4 cable rating
- 110° beam angle
- Frosted Polycarbonate lens

Mounting

- LED module and LED driver easily install with included quick connect wire
- Torsion spring mounting clips

• Performance data

- Available in 2 700/3 000/3 500/4 000/ 5 000 K selectable color temperature
- 80+ CRI
- Electrical ratings: 120 V
- Estimated life of over 50 000 hours to L70
- Phase-cut dimming (TRIAC/ELV)
- Operating temperature: -20 °C to 45 °C (-4 °F to 113 °F)

• Compliances

- cETLus listed for damp and wet locations
- Energy Star
- Meets requirements of ICES-005 issue 5 class B for use in residential applications
- IC rated for direct contact with insulation
- Airtight as per ASTM E283 standard

OVERVIEW

Light source	LED
Watts (W)	7, 9, 12
Lumen output (lm)	594 - 1 113
Efficacy (lm/W)	69 - 94
Color temperature (K)	2 700/3 000/3 500/4 000/5 000
CRI	80+

¹ Only with 68732 - LPDL4/RND/9W/5CCT/WH/WET

QUICK SHIP AND TECHNICAL SPECIFICATION TABLE

Order code	Model number	Watts		Volts		Color temp. (K) ¹	Lumen output (lm) ²	Efficacy (lm/W)	CRI	Life L70 (hrs) ³	Beam angle (°)	Cable rating	Finish	Power factor	THD (%)	Traditional equivalent (W)	Master case qty
		(W)	(VAC)	(V)	(V)												
3" Round																	
68731	LPDL3/RND/7W/5CCT/WH	7	120	2 700/3 000/3 500/4 000/5 000	2 700/3 000/3 500/4 000/5 000	420	60	80+	50 000	110	FT4	White	>0.9	<20	60	24	
4" Round																	
67798	LPDL4/RND/9W/5CCT/WH/STD	9	120	2 700/3 000/3 500/4 000/5 000	2 700/3 000/3 500/4 000/5 000	550	61	80+	50 000	110	FT4	White	>0.9	<20	60	24	
67799	LPDL4/RND/9W/5CCT/BN/STD	9	120	2 700/3 000/3 500/4 000/5 000	2 700/3 000/3 500/4 000/5 000	550	61	80+	50 000	110	FT4	Brushed Nickel	>0.9	<20	60	24	
67800	LPDL4/RND/9W/5CCT/BK/STD	9	120	2 700/3 000/3 500/4 000/5 000	2 700/3 000/3 500/4 000/5 000	550	61	80+	50 000	110	FT4	Black	>0.9	<20	60	24	
68732	LPDL4/RND/9W/5CCT/WH/WET	9	120	2 700/3 000/3 500/4 000/5 000	2 700/3 000/3 500/4 000/5 000	550	61	80+	50 000	110	FT4	White	>0.9	<20	60	24	
4" Square																	
68733	LPDL4/SQR/9W/5CCT/WH	9	120	2 700/3 000/3 500/4 000/5 000	2 700/3 000/3 500/4 000/5 000	550	61	80+	50 000	110	FT4	White	>0.9	<20	60	24	
6" Round																	
67801	LPDL6/RND/12W/5CCT/WH/STD	12	120	2 700/3 000/3 500/4 000/5 000	2 700/3 000/3 500/4 000/5 000	800	67	80+	50 000	110	FT4	White	>0.9	<20	60	24	
68734	LPDL6/RND/12W/5CCT/BK	12	120	2 700/3 000/3 500/4 000/5 000	2 700/3 000/3 500/4 000/5 000	800	67	80+	50 000	110	FT4	Black	>0.9	<20	60	24	

¹ Typical color temperature range: +/- 5 %.

² Lumen values are derived from Energy Star reported data. Initial lumens range: +/- 10 %.

³ Life hours are derived from IESNA LM-80-08 testing report and projected per IESNA TM-21-11 extrapolations.

LUMEN SPECIFICATION TABLE

Order code	Model number	Watts (W)	2 700 K		3 000 K		3 500 K		4 000 K		5 000 K	
			Lumen output (lm)	Efficacy (lm/W)	Lumen output (lm)	Efficacy (lm/W)	Lumen output (lm)	Efficacy (lm/W)	Lumen output (lm)	Efficacy (lm/W)	Lumen output (lm)	Efficacy (lm/W)
68731	LPDL3/RND/7W/5CCT/WH	7	594	85	610	87	611	87	629	90	661	94
67798	LPDL4/RND/9W/5CCT/WH/STD	9	668	74	688	76	688	76	708	79	744	83
67799	LPDL4/RND/9W/5CCT/BN/STD	9	668	74	688	76	688	76	708	79	744	83
67800	LPDL4/RND/9W/5CCT/BK/STD	9	668	74	688	76	688	76	708	79	744	83
68732	LPDL4/RND/9W/5CCT/WH/WET	9	668	74	688	76	688	76	708	79	744	83
68733	LPDL4/SQR/9W/5CCT/WH	9	621	69	638	71	639	71	658	73	691	77
67801	LPDL6/RND/12W/5CCT/WH/STD	12	999	83	1 029	86	1 029	86	1 060	88	1 113	93
68734	LPDL6/RND/12W/5CCT/BK	12	999	83	1 029	86	1 029	86	1 060	88	1 113	93

DEFAULT PROGRAMMING

2 700 K

ACCESSORIES (order separately)

Order code	Model number	Type	Inner diameter (in)	Outer diameter (in)	Master case qty
66820 ¹	ACC/MPLATE/3.625IN/HANG.BARS/STD	Mounting plate with hanger bars	3 5/8	-	25
66056	ACC/MPLATE/3.625IN/ADJ/STD	Adjustable mounting plate	3 5/8	-	96
66049	ACC/MPLATE/3.625IN/SQR/STD	Square mounting plate	3 5/8	-	96
66142	ACC/3/VAPOR BARRIER/STD	Vapor barrier extender	3 5/8	-	50
66821 ¹	ACC/MPLATE/4.25IN/HANG.BARS/STD	Mounting plate with hanger bars	4 1/4	-	25
66058	ACC/MPLATE/4.25IN/ADJ/STD	Adjustable mounting plate	4 1/4	-	24
66051	ACC/MPLATE/4.25IN/SQR/STD	Square mounting plate	4 1/4	-	96
66143	ACC/4/VAPOR BARRIER/STD	Vapor barrier extender	4 1/4	-	50
68986 ³	GOOF RING-4.25IN	Goof rings	4 1/4	6 1/2	120
66822 ¹	ACC/MPLATE/6.25IN/HANG.BARS/STD	Mounting plate with hanger bars	6 1/4	-	25
64921	ACC/MPLATE/6.25IN/ADJ/STD	Adjustable mounting plate	6 1/4	-	24
64263	ACC/MPLATE/6.25IN/SQR/STD	Square mounting plate	6 1/4	-	96
66144	ACC/6/VAPOR BARRIER/STD	Vapor barrier extender	6 1/4	-	50
68987 ³	GOOF RING-6.25IN	Goof rings	6 1/4	7 7/8	120
64264 ²	LPDL/ACC/6FT/EXTCABLE/STD	6' extension cord	-	-	96

¹ Includes brackets and screws.

² Up to 6 FT4 extension cords can be connected together. Only compatible with the 4" and 6" LPDL.

³ Please note that the white finish of the goof rings differs from the white finish of the LPDL Stanpro Series.

Data is based upon tests performed in a controlled environment. Actual performance can vary depending on operating conditions. All products are subject to change or may be discontinued any time without notice. Please contact your Stanpro customer service representative to confirm inventory levels at time of order.

COMPATIBLE DIMMERS²

Brand	67798, 67799, 67800, 67801, 68734	68731, 68732, 68733
Model		
Leviton	IPL-10Z1 ¹ , IPE041 ¹ , DSM101 ¹ , 6672, 6674,	IPL06, 6674, DSL06-1ZL, DSM10-1LZ, IPE04-1LZ, DDMX1
Lutron	MACL-153M, TGCL-153PH, DVCL-153P, AYCL-253P, DVCL-253P	PD-5NE, PD-6WCL, RRD-6NA, DVCL-153P, CTCL-153P, DVCL-253P, AYCL-253P, DVRP-253, SELV-300P, MACL-153P
Cooper	SAL06P1 ¹ , 9531, DAL06P, SLC063P, AAL06P	AAL06
Legrand		RH703PTUTC

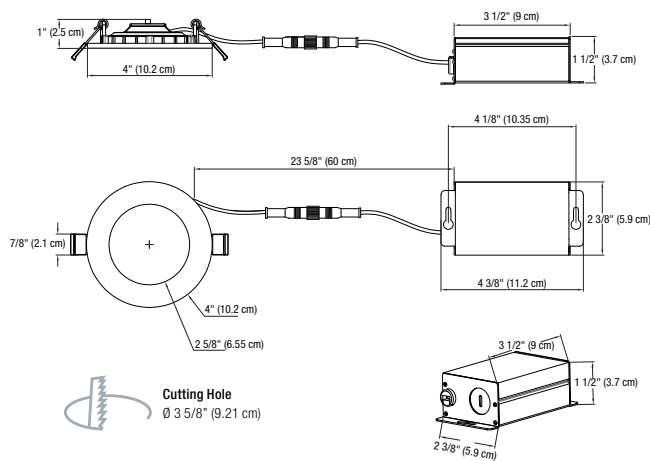
¹ Dimming range: 10%-100%

Other dimmers range: 5% - 100%

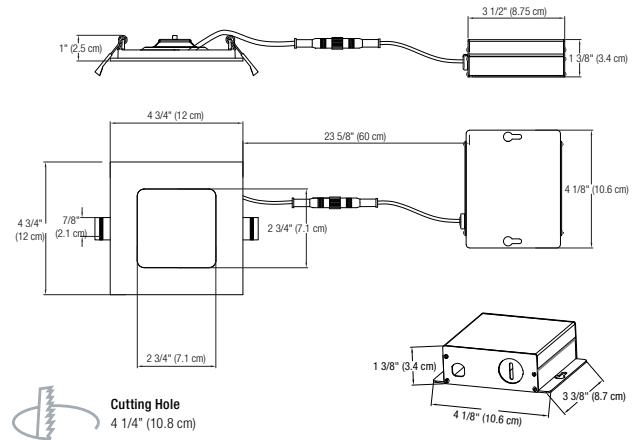
² This table shows dimmers that have been tested and have demonstrated proper operation under normal conditions. Each installation being unique, various factors such as load, common neutrals or other electrical products on the circuit can, in certain instances, cause variance in system performance. Read and comply to the dimmer installation instructions. Consult dimming system manufacturer for additional support in operation. Some dimmers may require more than one product for stable operation. Stanpro recommends to use dimmers designed to work with LED products. Older dimmers designed for incandescent products may cause erratic operation.

DIMENSIONS AND WEIGHTS

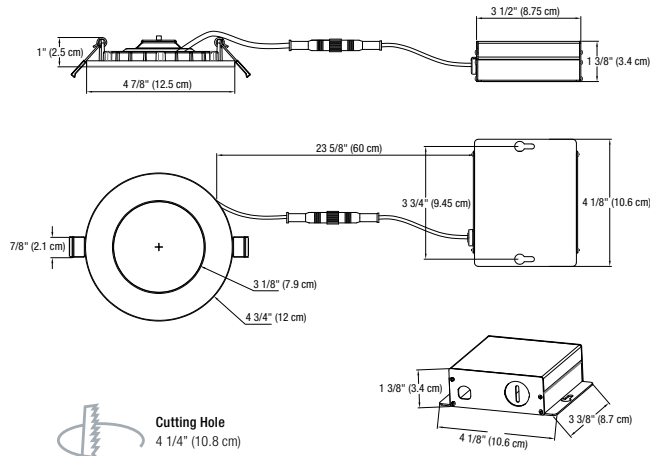
3" Round



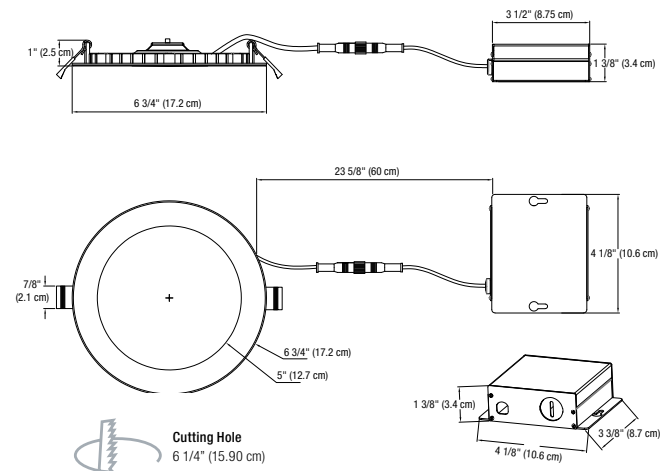
4" Square



4" Round



6" Round



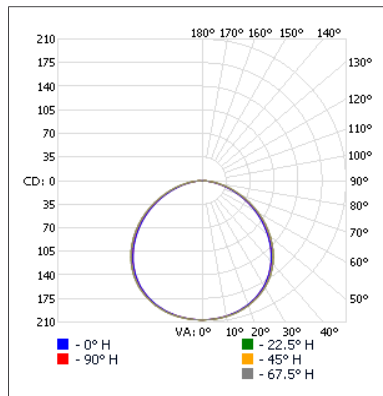
	3"	4"	6" 67801	6" 68734
Net weight (lbs)	0.58	0.69	0.96	1.09

Data is based upon tests performed in a controlled environment. Actual performance can vary depending on operating conditions. All products are subject to change or may be discontinued any time without notice. Please contact your Stanpro customer service representative to confirm inventory levels at time of order.

PHOTOMETRIC DATA¹

68731 • LPDL3/RND/7W/5CCT/WH • 3 000 K • 610.7 lm

Polar candela distribution



Zonal lumen summary

Zone	Lumens	% Fixture
0-30	164.2	26.9
0-40	271.7	44.5
0-60	482.5	79
60-90	128.2	21
0-90	610.7	100

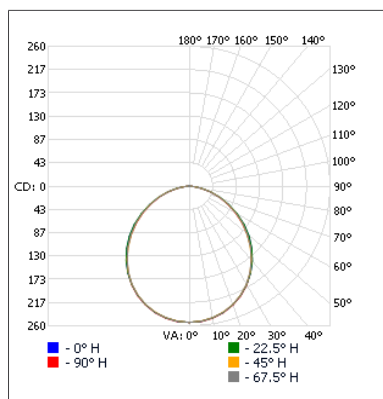
Illuminance at a distance

Center beam fc		Beam width	
1.7'	71.5	5.1'	5.1'
3.3'	19.0	9.8'	9.9'
5.0'	8.26	14.9'	15.0'
6.7'	4.60	19.9'	20.1'
8.3'	3.00	24.7'	24.9'
10.0'	2.07	29.7'	30.0'

■ Vert. spread : 112.2°
■ Horiz. spread : 112.6°

67798 • LPDL4/RND/9W/5CCT/WH/STD • 3 000 K • 687.4 lm

Polar candela distribution



Zonal lumen summary

Zone	Lumens	% Fixture
0-30	195.5	28.4
0-40	318.1	46.3
0-60	550.1	80
60-90	133.2	19.4
70-100	55.7	8.1
90-120	2.2	0.3
0-90	683.3	99.4
90-180	4.0	0.6
0-180	687.4	100

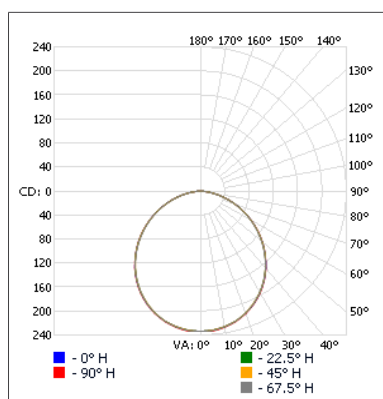
Illuminance at a distance

Center beam fc		Beam width	
1.7'	87.6	4.7'	4.5'
3.3'	23.3	9.1'	8.8'
5.0'	10.1	13.8'	13.3'
6.7'	5.64	18.5'	17.9'
8.3'	3.68	23.0'	22.1'
10.0'	2.53	27.7'	26.7'

■ Vert. spread : 108.3°
■ Horiz. spread : 106.2°

68733 • LPDL4/SQR/9W/5CCT/WH • 3 000 K • 638.5 lm

Polar candela distribution



Zonal lumen summary

Zone	Lumens	% Fixture
0-30	180.6	28.3
0-40	294.2	46.1
0-60	511.9	80.2
60-90	126.6	19.8
0-90	638.5	100

Illuminance at a distance

Center beam fc		Beam width	
1.7'	80.8	4.7'	4.8'
3.3'	21.5	9.1'	9.2'
5.0'	9.35	13.8'	14.0'
6.7'	5.20	18.5'	18.8'
8.3'	3.39	22.9'	23.3'
10.0'	2.34	27.6'	28.0'

■ Vert. spread : 108.2°
■ Horiz. spread : 109.0°

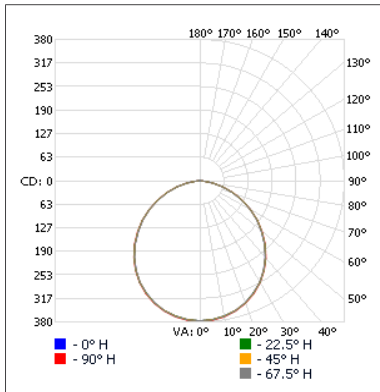
¹ Complete IES files available on our website.

Data is based upon tests performed in a controlled environment. Actual performance can vary depending on operating conditions. All products are subject to change or may be discontinued any time without notice. Please contact your Stanpro customer service representative to confirm inventory levels at time of order.

PHOTOMETRIC DATA¹

67801 • LPDL6/RND/12W/5CCT/WH/STD • 3 000 K • 1 028.8 lm

Polar candela distribution



Zonal lumen summary

Zone	Lumens	% Fixture
0-30	291.2	28.3
0-40	474.3	46.1
0-60	823.6	80.1
60-90	202.2	19.7
70-100	82.3	8
90-120	1.1	0.1
0-90	1 025.8	99.7
90-180	3.0	0.3
0-180	1 028.8	100

Illuminance at a distance

Center beam fc		Beam width	
1.7'	130	4.7'	4.7'
3.3'	34.6	9.1'	9.2'
5.0'	15.1	13.7'	13.9'
6.7'	8.39	18.4'	18.7'
8.3'	5.47	22.8'	23.1'
10.0'	3.77	27.5'	27.9'

■ Vert. spread : 107.9°
■ Horiz. spread : 108.7°

Data is based upon tests performed in a controlled environment. Actual performance can vary depending on operating conditions. All products are subject to change or may be discontinued any time without notice. Please contact your Stanpro customer service representative to confirm inventory levels at time of order.