

Series Spec Sheet

RETRO

4" AND 5-6" LED RETROFIT DOWNLIGHT

5 CCT Selectable

This Retro LED downlight offers a simple and economical retrofit solution for all traditional recessed applications. Easy installed with a quick connects wire and the E26 socket adaptor, this LED downlight is ideal for retrofitting into most of traditional 4" and 5"-6" housings, it will be installed in no time. The color temperature can be changed at any time with a simple switch installed on the side of the LED fixture.

FEATURES AND SPECIFICATIONS

• Construction

Physical Characteristics

- White aluminium finish
- Available in round 4" and 5-6"
- Frosted polycarbonate lens
- CCT switch is directly placed on the side of the LED module
- 110° beam angle
- Regressed look to reduce glare

Mounting

- Retrofit in 4" or 5-6" recessed housing
- Easy installation with quick connect wire and E26 socket adaptor

• Performance data

- Available in 2 700/3 000/3 500/4 000/ 5 000 K selectable color temperature
- 90+ CRI
- 120 V
- Estimated life of over 50 000 hours to L70
- Phase cut (ELV / Triac) dimming standard
- Operating temperature: -30 °C to 40 °C (-22 °F to 104 °F)

• Compliances

- cETLus listed for wet locations
- cETLus listed and classified
- Energy Star
- Meets requirements of ICES-005 issue 5 class B for use in residential applications
- Airtight as per ASTM E283 standard



quick
ship



LED
fixture



dimmable
fixture



airtight



wet
location



ICES
005



OVERVIEW

Light source	LED
Watts (W)	10, 15
Lumen output (lm)	785 - 1 444
Efficacy (lm/W)	78.5 - 92
Color temperature (K)	2 700/3 000/3 500/4 000/5 000
CRI	90+

QUICK SHIP AND TECHNICAL SPECIFICATION TABLE 🕒¹

Order code	Model number	Watts (W)	Volts (V AC)	Color temp. (K) ²	Lumen output (lm) ³	Efficacy (lm/W)	CRI	Life L70 (hrs) ⁴	Beam angle (°)	Finish	Power factor	THD (%)	Case qty (master)
4"													
69078	RDL4R-10A-5CWH	10	120	2 700/3 000/3 500/4 000/5 000	700	70	90+	50 000	110	White	>0.9	<30	36
6"													
69079	RDL6R-15A-5CWH	15	120	2 700/3 000/3 500/4 000/5 000	1100	73	90+	50 000	110	White	>0.9	<30	36

¹ **QUICK SHIP:** Product availability is subject to change without notice. Please contact your Stanpro customer service representative to confirm inventory levels at time of order.

² Typical color temperature range: +/- 5 %.

³ Lumen values are derived from Energy Star reported data. Initial lumens range: +/- 10 %.

⁴ Life hours are derived from IESNA LM-80-08 testing report and projected per IESNA TM-21-11 extrapolations.

LUMEN SPECIFICATION TABLE

Order code	Model number	Watts (W)	2 700 K		3 000 K		3 500 K		4 000 K		5 000 K	
			Lumen output (lm)	Efficacy (lm/W)	Lumen output (lm)	Efficacy (lm/W)	Lumen output (lm)	Efficacy (lm/W)	Lumen output (lm)	Efficacy (lm/W)	Lumen output (lm)	Efficacy (lm/W)
69078	RDL4R-10A-5CWH	10	800	80	826	83	843	84	830	83	785	79
69079	RDL6R-15A-5CWH	15	1342	89	1382	92	1444	96	1438	96	1347	90

DEFAULT PROGRAMMING

69078: 3 000 K

69079: 3 000 K

COMPATIBLE DIMMERS²

	4"	6"
Brand	Model	
Legrand ¹	RH703PTUTC	RH703PTUTC
Cooper	AAL06, SLC03P	AAL06, SAL06P3
Leviton	6674, DDMX1, DSL06-1ZL, DSM10-1LZ, IPL06	6674, DDMX1, DSL06-1ZL
Lutron	AYCL-253P, CTCL-153P, DVCL-153P, DVCL-253P, DVRP-253, PD-5NE, PD-6WCL, RRD-6NA, SELV-300P	AYCL-253P ¹ , CTCL-153P, DVCL-153P, DVCL-253P, DVRP-253, PD-5NE, PD-6WCL, RRD-6NA, SELV-300P

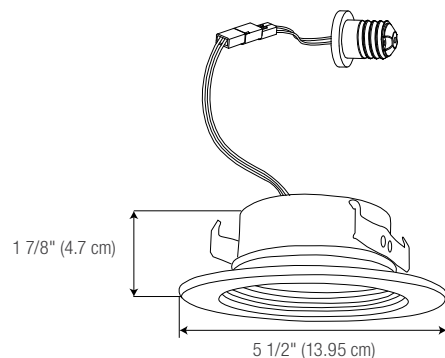
Dimming range: 5%-100%

¹ Dimming range: 10%-100%

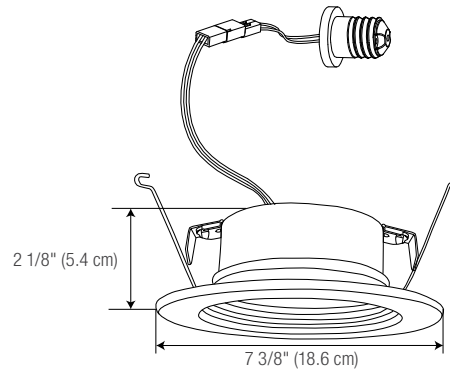
² This table shows dimmers that have been tested and have demonstrated proper operation under normal conditions. Each installation being unique, various factors such as load, common neutrals or other electrical products on the circuit can, in certain instances, cause variance in system performance. Read and comply to the dimmer installation instructions. Consult dimming system manufacturer for additional support in operation. Some dimmers may require more than one product for stable operation. Stanpro recommends to use dimmers designed to work with LED products. Older dimmers designed for incandescent products may cause erratic operation.

DIMENSIONS AND WEIGHTS

4"



6"



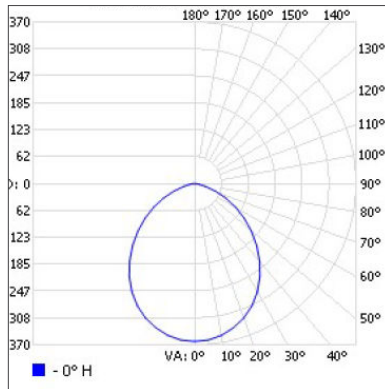
	4"	6"
Net weight (lbs)	0.26	0.42

Data is based upon tests performed in a controlled environment. Actual performance can vary depending on operating conditions. All products are subject to change or may be discontinued any time without notice. Please contact your Stanpro customer service representative to confirm inventory levels at time of order.

PHOTOMETRIC DATA¹

69078 • RDL4R/10A/5CCT/WH • 3 000 K • 826.3 lm

Polar candela distribution



Zonal lumen summary

Zone	Lumens	% Fixture
0-30	272.9	33%
0-40	435.5	52.7%
0-60	714.3	86.4%
60-90	112.0	13.6%
0-90	826.3	100%

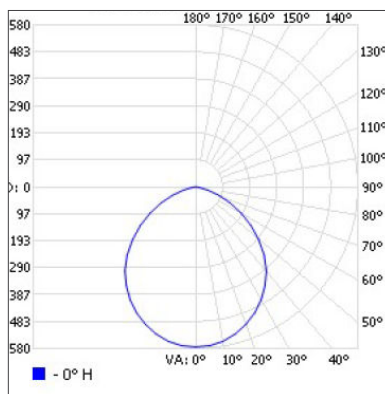
Illuminance at a distance

	Center beam fc	Beam width
1.7'	125 fc	3.8'
3.3'	33.2 fc	7.4'
5.0'	14.5 fc	11.2'
6.7'	8.06 fc	15.0'
8.3'	5.25 fc	18.6'
10.0'	3.62 fc	22.4'

■ Beam spread: 96.4°

69079 • RDL6R/15A/5CCT/WH • 3 000 K • 1381.8 lm

Polar candela distribution



Zonal lumen summary

Zone	Lumens	% Fixture
0-30	437.3	31.6%
0-40	707.2	51.2%
0-60	1 188.0	86%
60-90	193.8	14%
0-90	1 381.8	100%

Illuminance at a distance

	Center beam fc	Beam width
1.7'	199 fc	4.1'
3.3'	52.7 fc	8.1'
5.0'	23.0 fc	12.2'
6.7'	12.8 fc	16.4'
8.3'	8.33 fc	20.3'
10.0'	5.74 fc	24.4'

■ Beam spread: 101.3°

¹ Complete IES files available on our website.

Data is based upon tests performed in a controlled environment. Actual performance can vary depending on operating conditions. All products are subject to change or may be discontinued any time without notice. Please contact your Stanpro customer service representative to confirm inventory levels at time of order.