

## Series Spec Sheet

# SINGLE RING

## LED CEILING LUMINAIRE

### CCT Selectable

Our Single Ring LED Ceiling Luminaire series is available in several sizes and offers the advantage of an integrated color temperature selection. With a brushed nickel decorative ring, our luminaires allow to elegantly enhance any residential or commercial space such as hallway, foyer, bedroom or lobby.

### FEATURES AND SPECIFICATIONS

#### • Construction

##### Physical Characteristics

- Steel housing with brushed nickel finish
- Polystyrene lens with a frosted finish
- Available sizes: 12", 14"
- CCT switch is placed discreetly inside the housing

##### Mounting

- Surface mounted

#### • Performance data

- Available in 2 700/3 000/3 500/4 000/5 000 K selectable color temperature
- 80+ CRI
- Electrical ratings: 120 V
- Estimated life of over 50 000 hours to L70
- Phase cut (ELV / Triac) dimming standard
- Operating temperature:
  - 20 °C to 45 °C (-4 °F to 113 °F)

#### • Compliances

- cETLus listed for damp locations
- Energy Star
- Meets requirements of ICES-005 issue 5 class B for use in residential applications



### OVERVIEW

|                       |                                |
|-----------------------|--------------------------------|
| Light source          | LED                            |
| Watts (W)             | 15, 25                         |
| Lumen output (lm)     | 1 285 - 2 310                  |
| Efficiency (lm/W)     | 79 - 100                       |
| Color temperature (K) | 2 700/3 000/3 5 00/4 000/5 000 |
| CRI                   | 80+                            |



2 700/3 000/3 500/4 000/5 000 K



**QUICK SHIP AND TECHNICAL SPECIFICATION TABLE**

| Order code              | Model number       | Watts (W) | Volts (VAC) | Color temp. (K) <sup>1</sup>  | Lumen output (lm) <sup>2,3</sup> | Efficiency (lm/W) | CRI | Life L70 (hrs) <sup>4</sup> | Beam angle (°) | Shape | Finish         | Dimming (Yes/No) | Power factor | Master case qty |
|-------------------------|--------------------|-----------|-------------|-------------------------------|----------------------------------|-------------------|-----|-----------------------------|----------------|-------|----------------|------------------|--------------|-----------------|
| <b>5 CCT Selectable</b> |                    |           |             |                               |                                  |                   |     |                             |                |       |                |                  |              |                 |
| <b>12"</b>              |                    |           |             |                               |                                  |                   |     |                             |                |       |                |                  |              |                 |
| 68929                   | CLSR12-R15W-A-5CBN | 15        | 120         | 2 700/3 000/3 500/4 000/5 000 | 1 266                            | 89                | 80+ | 50 000                      | 120            | Round | Brushed nickel | Yes              | ≥0.90        | 4               |
| <b>14"</b>              |                    |           |             |                               |                                  |                   |     |                             |                |       |                |                  |              |                 |
| 68930                   | CLSR14-R25W-A-5CBN | 25        | 120         | 2 700/3 000/3 500/4 000/5 000 | 1 940                            | 80                | 80+ | 50 000                      | 120            | Round | Brushed nickel | Yes              | ≥0.90        | 4               |

<sup>1</sup> Typical color temperature range: +/- 5 %.

<sup>2</sup> Lumen values are derived from Energy Star reported data. Initial lumens range: +/- 10 %.

<sup>4</sup> Life hours are derived from IESNA LM-80-08 testing report and projected per IESNA TM-21-11 extrapolations.

**LUMEN SPECIFICATION TABLE**

| Order code | Model number       | Watts (W) | 2 700 K           |                   | 3 000 K           |                   | 3 500 K           |                   | 4 000 K           |                   | 5 000 K           |                   |
|------------|--------------------|-----------|-------------------|-------------------|-------------------|-------------------|-------------------|-------------------|-------------------|-------------------|-------------------|-------------------|
|            |                    |           | Lumen output (lm) | Efficiency (lm/W) | Lumen output (lm) | Efficiency (lm/W) | Lumen output (lm) | Efficiency (lm/W) | Lumen output (lm) | Efficiency (lm/W) | Lumen output (lm) | Efficiency (lm/W) |
| 68929      | CLSR12-R15W-A-5CBN | 15        | 1 265             | 86                | 1 335             | 89                | 1 495             | 100               | 1 504             | 100               | 1 410             | 94                |
| 68930      | CLSR14-R25W-A-5CBN | 25        | 1 980             | 79                | 2 113             | 85                | 2 234             | 89                | 2 310             | 92                | 2 171             | 87                |

**DEFAULT PROGRAMMING**

3 000 K

**ACCESSORIES (order separately)**

| Order code | Model number  | Type | Finish  | Diameter (in) | Compatible with | Master case qty |
|------------|---------------|------|---------|---------------|-----------------|-----------------|
| 68932      | LEN-CLSR12-BN | Lens | Frosted | 11 3/4"       | 68929           | 10              |
| 68933      | LEN-CLSR14-BN | Lens | Frosted | 13 5/8"       | 68930           | 10              |

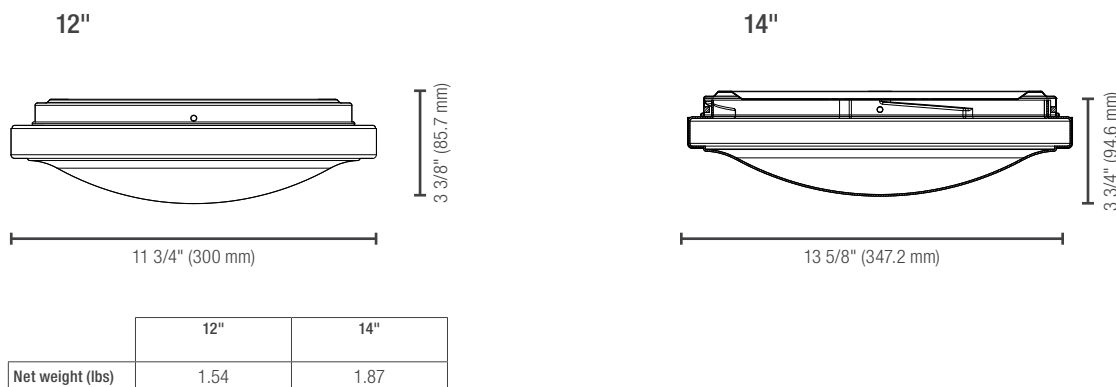
**COMPATIBLE DIMMERS<sup>1</sup>**

| Brand   | Model  |
|---------|--|
| Legrand | RH703PTUTC   |
| Cooper  | AAL06, SAL06P3   |
| Leviton | 066EV, IPL06, 6674, DSL06-1ZL, DSM10-1LZ, IPE04-1LZ, DDMX1   |
| Lutron  | PD-6WCL, RRD-6NA-WH, DVCL-153P, CTCL-153P, DVCL-253P, AYCL-253P, DVRP-253-WH, SELV-300P, MACL-153P |

<sup>1</sup> This table shows dimmers that have been tested and have demonstrated proper operation under normal conditions. Each installation being unique, various factors such as load, common neutrals or other electrical products on the circuit can, in certain instances, cause variance in system performance. Read and comply to the dimmer installation instructions. Consult dimming system manufacturer for additional support in operation. Some dimmers may require more than one product for stable operation. Stanpro recommends to use dimmers designed to work with LED products. Older dimmers designed for incandescent products may cause erratic operation.

Dimming range: 5%-100%

**DIMENSIONS AND WEIGHTS**

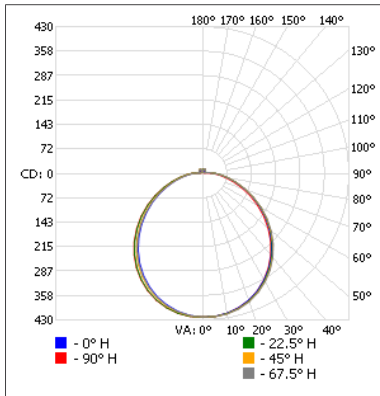


Data is based upon tests performed in a controlled environment. Actual performance can vary depending on operating conditions. All products are subject to change or may be discontinued any time without notice. Please contact your Stanpro customer service representative to confirm inventory levels at time of order.

**PHOTOMETRIC DATA<sup>1</sup>**

68929 • CLSR12-R15W-A-5CBN • 15 W • 3 000 K • 1 334.7 lm

**Polar candela distribution**



**Zonal lumen summary**

| Zone   | Lumens  | % Fixture |
|--------|---------|-----------|
| 0-30   | 328.9   | 24.6      |
| 0-40   | 538.9   | 40.4      |
| 0-60   | 951.6   | 71.3      |
| 60-90  | 306.9   | 23        |
| 70-100 | 176.5   | 13.2      |
| 90-120 | 38.3    | 2.9       |
| 0-90   | 1 258.5 | 94.3      |
| 90-180 | 76.2    | 5.7       |
| 0-180  | 1 334.7 | 100       |

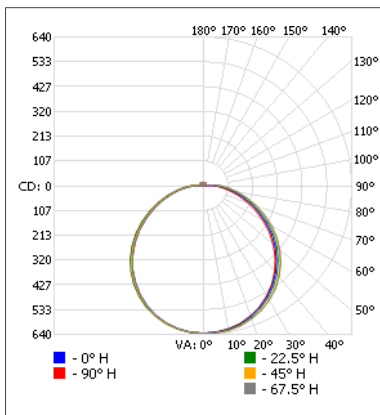
**Illuminance at a distance**

| Center beam fc |      | Beam width |       |
|----------------|------|------------|-------|
| 1.7'           | 146  | 4.9'       | 5.1'  |
| 3.3'           | 38.7 | 9.6'       | 9.9'  |
| 5.0'           | 16.8 | 14.5'      | 15.1' |
| 6.7'           | 9.38 | 19.5'      | 20.2' |
| 8.3'           | 6.11 | 24.1'      | 25.0' |
| 10.0'          | 4.21 | 29.0'      | 30.1' |

■ Vert. spread : 110.9°  
■ Horiz. spread : 112.8°

68930 • CLSR14-R25W-A-5CBN • 25 W • 3 000 K • 2 113.2 lm

**Polar candela distribution**



**Zonal lumen summary**

| Zone   | Lumens  | % Fixture |
|--------|---------|-----------|
| 0-30   | 500.6   | 23.7      |
| 0-40   | 827.0   | 39.1      |
| 0-60   | 1,491.4 | 70.6      |
| 60-90  | 530.4   | 25.1      |
| 70-100 | 309.4   | 14.6      |
| 90-120 | 52.2    | 2.5       |
| 0-90   | 2,021.8 | 95.7      |
| 90-180 | 91.4    | 4.3       |
| 0-180  | 2,113.2 | 100       |

**Illuminance at a distance**

| Center beam fc |      | Beam width |       |
|----------------|------|------------|-------|
| 1.7'           | 220  | 5.4'       | 5.5'  |
| 3.3'           | 58.3 | 10.6'      | 10.7' |
| 5.0'           | 25.4 | 16.0'      | 16.2' |
| 6.7'           | 14.1 | 21.4'      | 21.7' |
| 8.3'           | 9.21 | 26.6'      | 26.8' |
| 10.0'          | 6.34 | 32.0'      | 32.3' |

■ Vert. spread : 116.0°  
■ Horiz. spread : 116.5°

<sup>1</sup> Complete IES files available on our website.

Data is based upon tests performed in a controlled environment. Actual performance can vary depending on operating conditions. All products are subject to change or may be discontinued any time without notice. Please contact your Stanpro customer service representative to confirm inventory levels at time of order.