

Series Spec Sheet

VIVIO

4" LED DOWNLIGHT WITH DUAL INSTALLATION

The Vivio Downlight is a 4" luminaire that can be used as a retrofit solution in an existing recessed housing or surface mounted directly onto an octagon junction box. With its low profile design, it brings a sleek and simple look that can adapt to any application. The color temperature can be changed at any time with a simple switch installed at the back of this fixture.

FEATURES AND SPECIFICATIONS

• Construction

Physical Characteristics

- White finish
- Frosted glass lens
- Magnetic black trim sold separately as an accessory
- Available in 4" round
- 110° beam angle
- CCT switch is discretely placed on the side of the LED module

Mounting

- Dual installation: Retrofit in 4" recessed housing or surface mount directly onto 4" octagonal junction box
- Fire-rated when used in a fire-rated octagonal junction box

• Box contents

- LED Module
- Magnetic White trim
- E26 adapter
- Mounting clips
- Screws

• Compliances

- cETLus for wet locations
- cETLus listed and classified
- Energy Star
- Meets requirements of ICES-005 issue 5 class B for use in residential applications
- IC rated for direct contact with insulation
- Airtight as per ASTM E283 standard

• Performance data

- Available in 2 700/3 000/3 500/4 000/ 5 000 K selectable color temperature
- 80+ CRI
- Estimated lifespan of 50 000 hours to L70
- Phase cut (ELV / Triac) dimming standard
- Operating temperature: - 20 °C to 40 °C (-4 °F to 104 °F)

OVERVIEW

| | |
|-----------------------|-------------------------------|
| Light source | LED |
| Watts (W) | 8 |
| Lumen output (lm) | 650 |
| Efficiency (lm/W) | 81 |
| Color temperature (K) | 2 700/3 000/3 500/4 000/5 000 |
| CRI | 80+ |



quick ship



LED fixture



dimmable fixture



airtight



wet location



IC rated



ICES 005



QUICK SHIP AND TECHNICAL SPECIFICATION TABLE 🕒¹

| Order code | Model number | Watts (W) | Volts (VAC) | Color temp. (K) ² | Lumen output (lm) ³ | Efficiency (lm/W) | CRI | Life L70 (hrs) ⁴ | Beam angle (°) | Finish | Power factor | THD (%) | Case qty (master) |
|-----------------|--------------|-----------|-------------|-------------------------------|--------------------------------|-------------------|-----|-----------------------------|----------------|--------|--------------|---------|-------------------|
| 4" Round | | | | | | | | | | | | | |
| 68031 | VDL4R-08A/5C | 8 | 120 | 2 700/3 000/3 500/4 000/5 000 | 650 | 81 | 80+ | 50 000 | 110 | White | >0.9 | <20 | 24 |

¹ **QUICK SHIP:** Product availability is subject to change without notice. Please contact your Stanpro customer service representative to confirm inventory levels at time of order.
² Typical color temperature range: +/- 5 %.
³ Lumen values are derived from Energy Star reported data. Initial lumens range: +/- 10 %.
⁴ Life hours are derived from IESNA LM-80-08 testing report and projected per IESNA TM-21-11 extrapolations.

LUMEN SPECIFICATION TABLE

| Order code | Model number | Watts (W) | 2 700 K | | 3 000 K | | 3 500 K | | 4 000 K | | 5 000 K | |
|------------|--------------|-----------|-------------------|-----------------|-------------------|-----------------|-------------------|-----------------|-------------------|-----------------|-------------------|-----------------|
| | | | Lumen output (lm) | Efficacy (lm/W) | Lumen output (lm) | Efficacy (lm/W) | Lumen output (lm) | Efficacy (lm/W) | Lumen output (lm) | Efficacy (lm/W) | Lumen output (lm) | Efficacy (lm/W) |
| 68031 | VDL4R-08A/5C | 8 | 653 | 82 | 615 | 77 | 653 | 82 | 674 | 84 | 665 | 83 |

DEFAULT PROGRAMMING
2 700K

ACCESSORY (order separately)

| Order code | Model Number | Type | Finish | Compatible with | Case qty (master) |
|------------|--------------|---------------|--------|---------------------|-------------------|
| 68032 | VDL4R-TRIMBK | Magnetic Trim | Black | 68031, VDL4R-08A/5C | 96 |



COMPATIBLE DIMMERS¹

| Brand | Model number |
|---------|--|
| Cooper | AAL06, SLC03P |
| Leviton | 6615, IPL06, 6674, DSL06-1LZ, DSM10-1LZ, IPE04-1LZ, DDMX1 |
| Lutron | RRD-6NA, PD-5NE, DVCL-153P, CTCL-153P, DVCL-253P, AYCL-253P, DVRP-253P, SELV-300P, MACL-153P |

Dimming range: 10%-100%

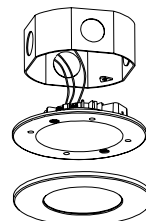
¹ This table shows dimmers that have been tested and have demonstrated proper operation under normal conditions. Each installation being unique, various factors such as load, common neutrals or other electrical products on the circuit can, in certain instances, cause variance in system performance. Read and comply to the dimmer installation instructions. Consult dimming system manufacturer for additional support in operation. Some dimmers may require more than one product for stable operation. Stanpro recommends to use dimmers designed to work with LED products. Older dimmers designed for incandescent products may cause erratic operation.

BOX CONTENT

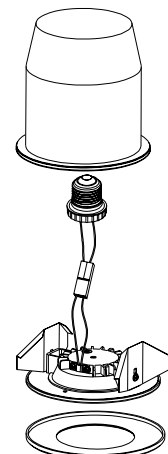


DUAL INSTALLATION

JUNCTION BOX

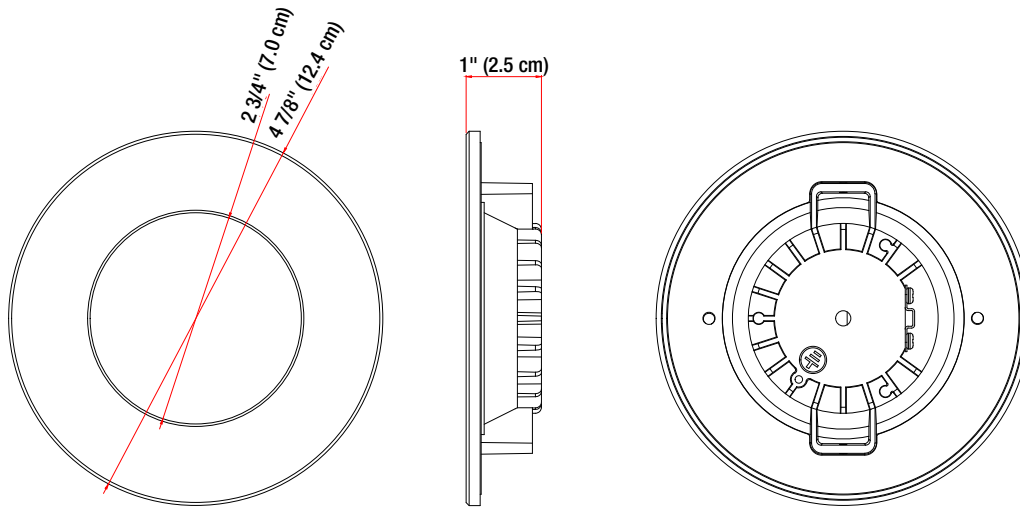


RETROFIT



Data is based upon tests performed in a controlled environment. Actual performance can vary depending on operating conditions. All products are subject to change or may be discontinued any time without notice.

DIMENSIONS AND WEIGHTS

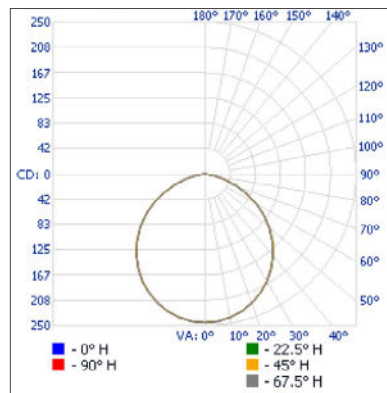


| | |
|------------------|------|
| Net weight (lbs) | 0.75 |
|------------------|------|

PHOTOMETRIC DATA¹

68031 • VDL4R-08A/5C • 2 700 K • 653.4 lm

Polar candela distribution



Zonal lumen summary

| Zone | Lumens | % Fixture |
|-------|--------|-----------|
| 0-30 | 189.1 | 28.9% |
| 0-40 | 308.3 | 47.2% |
| 0-60 | 536.6 | 82.1% |
| 60-90 | 116.8 | 17.9% |
| 0-90 | 653.4 | 100% |

Illuminance at a distance

| Center beam fc | | Beam width | |
|----------------|------|------------|-------|
| 1.7' | 84.8 | 4.7' | 4.7' |
| 3.3' | 22.5 | 9.2' | 9.2' |
| 5.0' | 9.81 | 13.9' | 13.9' |
| 6.7' | 5.46 | 18.6' | 18.6' |
| 8.3' | 3.56 | 23.1' | 23.0' |
| 10.0' | 2.45 | 27.8' | 27.7' |

■ Vert. spread: 108.6°
■ Horiz. spread: 108.4°

¹ Complete IES files available on our website.

Data is based upon tests performed in a controlled environment. Actual performance can vary depending on operating conditions. All products are subject to change or may be discontinued any time without notice.