

## TG07N

### PAR30S – FRONT LOAD

75W max.

Front loaded economical PAR30 Gimbal style track head. Integral on/off switch and track polarity indicator come standard. The TG07N comes complete with J & J2 style track adapter. H & H2 style adapter available upon request. Suitable for ceiling-mounted tracks.

#### FEATURES AND SPECIFICATIONS

##### • Construction

###### Material

Heavy duty housing designed for commercial use.

###### Aiming

The secure yoke provides precision aiming without the need for tools.

###### Lamps

- Incandescent or LED (lamp not included)
- Max 75W-E26 medium base PAR30S style lamps.

###### Finishes

Heavy duty scratch resistant powder coated. Available in glossy white, black and silver.

###### Accessories

Line voltage extensions (12", 18", 24", 36") are available. Please refer to the "tracks and accessories" pages for ordering guide.

##### Adapter

Track heads with "J" adapter are classified to be used with Stanpro STJ track series, Juno T or TU track series and Prescolite TS or TT track series. Track heads with "H" adapter are classified to be used with Cooper Lighting L641/2/3 track series.



#### OVERVIEW

Watts (W)	75
Weight (lbs)	1.88

**1**  
yr  
warranty



quick  
ship



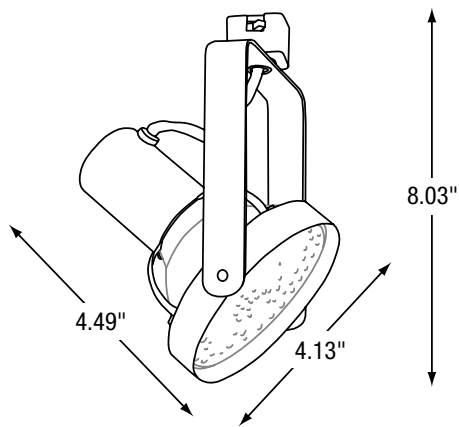
**ORDERING GUIDE**

TG07N	N	0075	A		
Series	Lamp type	Watts (W)	Volts (V)	Adapter	Finish
TG07N	N - Incandescent	0075 - 50 max	A - 120	J - J & J2 Track H - H & H2 Track <sup>1</sup>	BK - Black WH - White SI - Silver <sup>2</sup>

<sup>1</sup> Please contact factory for availability.

<sup>2</sup> For other options and availabilities please contact factory.

**DIMENSIONS**



Data is based upon tests performed in a controlled environment. Actual performance can vary depending on operating conditions. All products are subject to change or may be discontinued any time without notice.