

TG08N

PAR20 – FRONT LOAD

50W max.

Front loaded economical PAR20 Gimbal style track head. Integral on/off switch and track polarity indicator come standard. The TG08N comes complete with J & J2 style track adapter. H & H2 style adapter available upon request. Suitable for ceiling-mounted tracks.

FEATURES AND SPECIFICATIONS

• Construction

Material

Heavy duty housing designed for commercial use.

Aiming

The secure yoke provides precision aiming without the need for tools.

Lamps

- Incandescent or LED (lamp not included)
- Max 50W-E26 medium base PAR20 style lamp

Finishes

Heavy duty scratch resistant powder coated. Available in glossy white, black and silver.

Accessories

Line voltage extensions (12", 18", 24", 36") are available. Please refer to the "tracks and accessories" pages for ordering guide.

Adapter

Track heads with "J" adapter are classified to be used with Stanpro STJ track series, Juno T or TU track series and Prescolite TS or TT track series. Track heads with "H" adapter are classified to be used with Cooper Lighting L641/2/3 track series.



OVERVIEW

Watts (W)	50
Weight (lbs)	1.26

1
yr
warranty


quick
ship



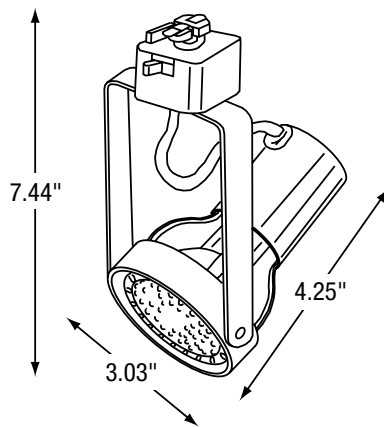
ORDERING GUIDE

TG08N	N	0050	A		
Series	Lamp type	Watts (W)	Volts (V)	Adapter	Finish
TG08N	N - Incandescent	0050 - 50 max	A - 120	J - J & J2 Track H - H & H2 Track ¹	BK - Black WH - White SI - Silver ²

¹ Please contact factory for availability.

² For other options and availabilities please contact factory.

DIMENSIONS



Data is based upon tests performed in a controlled environment. Actual performance can vary depending on operating conditions. All products are subject to change or may be discontinued any time without notice.