

## THB

### TEMPORARY LED HIGH BAY

Our Temporary LED High Bays are the ideal substitute for traditional HID lamps and luminaires. They provide 360° illumination and will ensure that the work area is safe and fully illuminated. Their high efficacy will help reduce the number of luminaires needed. Additionally, the daisy chain feature enables the use of one outlet to power up multiple luminaires. A Wireless Remote Control is also provided with every Temporary LED High Bay and it is even possible to control all your luminaires from a single remote if needed!

#### FEATURES AND SPECIFICATIONS

##### • Construction

###### Physical Characteristics

- Housing Color: Orange
- Cage Material: Aluminum

###### Wire Length and Specifications

- 20 ft (6 m)
- 18AWG/3C
- NEMA 5-15

- Available in Cool White color temperature
- 80 CRI
- Electrical ratings: 120 V
- Estimated life of over 54 000 hours to L70
- Non-dimmable
- 6 kV surge protection
- 360° beam angle
- Operating temperature: -30 °C to 40 °C (-22 °F to 104 °F)

##### • Performance Data

- Up to ten luminaires can be daisy chained to one outlet
- Equivalent to 250 W HID lamps and luminaires
- Wireless remote control included

##### • Compliances

- cULus listed for damp locations
- Meets requirements of ICES-005 issue 4 class B for use in residential applications
- IP54
- IK10



WIRELESS  
REMOTE CONTROL

#### OVERVIEW

Light source	LED
Watts (W)	60
Lumen output (lm)	6 300
Efficiency (lm/W)	105
Color temperature (K)	Cool White
CRI	80
Weight (lbs)	3.96



quick  
ship



LED fixture  
luminaire DEL

6

damp  
location



ICES  
005



IK10



**QUICK SHIP AND TECHNICAL SPECIFICATION TABLE** 

Order code	Model number	Watts (W)	Volts (VAC)	Color temp. (K) <sup>2</sup>	Lumen output (lm) <sup>3</sup>	Wire	CRI	Life L70 (hrs) <sup>4</sup>	Tested hours LM-80 (hrs) <sup>4</sup>	Beam angle (°)	Operating position	Case qty (master)
67902	THB/DSC/60W/CW/ND/OR/STD	60	120	Cool White	6 300	18 AWG / 3C	80	54 000	10 000	360	Universal	4

<sup>1</sup> **QUICK SHIP:** Product availability is subject to change without notice. Please contact your Stanpro customer service representative to confirm inventory levels at time of order.

<sup>2</sup> Typical color temperature range: +/- 5 %.

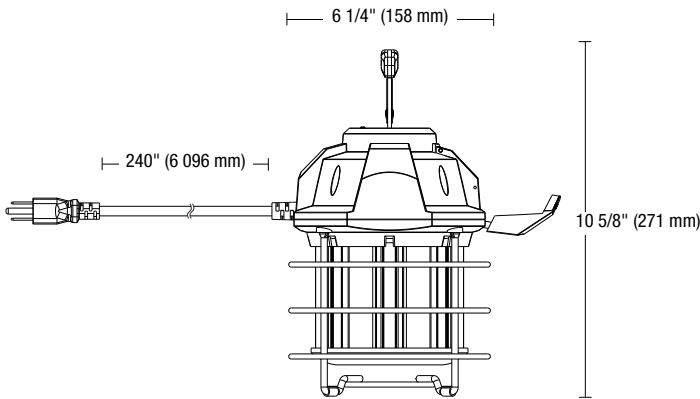
<sup>3</sup> Lumen values are derived from photometric testing. Initial lumens range: +/- 10 %.

<sup>4</sup> Life hours are derived from IESNA LM-80-08 testing report and projected per IESNA TM-21-11 extrapolations.

**ACCESSORY (order separately)**

Order code	Model number	Type
67947	THB/REMOTECONTROL/STD	Replacement Wireless Remote Control

**DIMENSIONS**

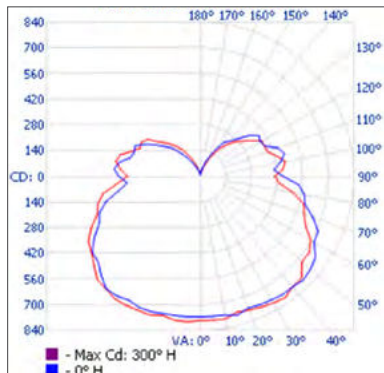


Data is based upon tests performed in a controlled environment. Actual performance can vary depending on operating conditions. All products are subject to change or may be discontinued any time without notice.

**PHOTOMETRIC DATA<sup>1</sup>**

67902 • THB/DSC/60W/CW/ND/OR/STD • 6 376.0 lm

**Polar candela distribution**



**Zonal lumen summary**

Zone	Lumens	% Fixture
0-30	644.4	10.1
0-40	1 134.6	17.8
0-60	2 400.7	37.7
60-90	1 840.7	28.9
70-100	1 693.7	26.6
90-120	1 428.2	22.4
0-90	4 241.4	66.5
90-180	2 134.6	33.5
0-180	6 376.0	100

<sup>1</sup> Complete IES files available on our website.

Data is based upon tests performed in a controlled environment. Actual performance can vary depending on operating conditions. All products are subject to change or may be discontinued any time without notice.