

TL10

ADJUSTABLE SOCKET

250W max.

The economical adjustable socket style track head allows for the proper seating of various lamps. Integral on/off switch and track polarity indicator come standard. The TL10 comes complete with J & J2 style track adapter. H & H2 style adapter available upon request. Suitable for ceiling-mounted tracks.

FEATURES AND SPECIFICATIONS

• Construction

Material

Heavy duty housing designed for commercial use.

Aiming

The secure yoke provides precision aiming without the need for tools.

Lamps

- Incandescent or LED (lamp not included)
- E26 medium base style lamps:
 - Max 75W PAR16
 - Max 50W PAR20
 - Max 75W PAR30
 - Max 250W PAR38

Finishes

Heavy duty scratch resistant powder coated. Available in glossy white, black and silver.

Adapter

Track heads with "J" adapter are classified to be used with Stanpro STJ track series, Juno T or TU track series and Prescolite TS or TT track series. Track heads with "H" adapter are classified to be used with Cooper Lighting L641/2/3 track series.



OVERVIEW

Watts (W)	50, 75, 250
Weight (lbs)	1.5

1
yr
warranty



quick
ship



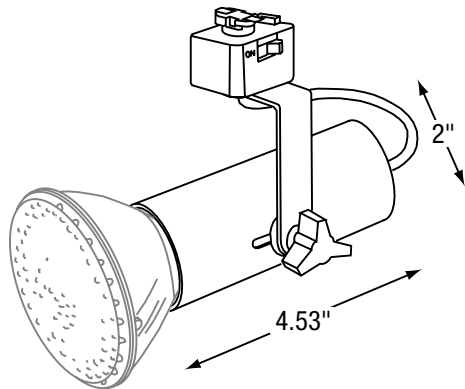
ORDERING GUIDE

TL10	N	0250	A		
Series	Lamp type	Watts (W)	Volts (V)	Adapter	Finish
TL10	N - Incandescent	0250 - 250 max	A - 120	J - J & J2 Track H - H & H2 Track ¹	BK - Black WH - White SI - Silver ²

¹ Please contact factory for availability.

² For other options and availabilities please contact factory.

DIMENSIONS



Data is based upon tests performed in a controlled environment. Actual performance can vary depending on operating conditions. All products are subject to change or may be discontinued any time without notice.