

Series Spec Sheet

WFC

LED FULL CUTOFF WALL PACK

Selectable color temperature (3 000/4 000/5 000 K)

Power selectable

Integrated photocell

Multi-Voltage (120-347 V)

The WFC full cutoff series is built with a modern design which includes heat sinks in the front of the housing to allow for optimal performance. This luminaire has an integrated photocell and features the latest in LED technology by allowing the user to control the color temperature and power by using the internal field adjustable integrated switches. Typical applications include entrances or anywhere security lighting is required.

FEATURES AND SPECIFICATIONS

• Construction

Housing

- This luminaire is made of aluminum die cast and comes in a bronze powder coat finish
- The housing has 4 conduit entries of 1/2" on each side
- Each model has an integrated button type photocell that can be easily turned off

Lens

Each luminaire is outfitted with a clear polycarbonate lens and offered in a type III distribution pattern.

• Technical specifications

- 0-10 V dimming
- Colour temperature 3 000/4 000/5 000 K, default setting 4 000 K
- Estimated lifespan of 50 000 hours to L70
- Ambient temperature: -40°C to +50°C
- 4 kV surge protection

• Compliances

- Wet location
- IP65
- IK08
- Meets requirements of ICES-005 5 for class B products
- cULus
- RoHS



power
selectable



quick
ship



LED
fixture



dimmable



wet
location



ICES
005



IK08



OVERVIEW

Light source	LED
Watts (W)	25/40/60 80/100
Lumen output (lm)	3 275 - 14 299
Efficacy (lm/W)	122 - 161
Color temperature (K)	3 000/4 000/5 000
CRI	80
Weight (lbs)	6.83 - 10.58

Not all products are qualified on the DLC QPL. To view our DLC qualified products, please consult the DLC Qualified Products List at www.designlights.org/search.

¹ Based on a maximum usage of 12 hours per day.

² When the luminaire is set at 3 000 K operation. Only model 68607 must be ordered for IDA certification compliance.

QUICK SHIP AND TECHNICAL SPECIFICATION TABLE  ¹

Order code	Model number	DLC unique ID	Watts (W)	Volts (V)	Color temp. (K) ²	Lumen output (lm) ³	Efficacy (lm/W)	CRI	Life L70 (hrs) ⁴	Distrib. type	Finish	Dimming	Power factor	THD (%)	Traditional equivalent (W) HM	SHP	Case qty (master)
68607	WFC-PS60A3-Q-3C-BR-P	PLDFY25QKWIN	25/40/60	120-347	3 000/4 000/5 000	3 625/5 640/8 220 ⁴	122-137	80	50 000	III	Bronze	Yes	≥0.9	≤20	175-400	175-250	1
68608	WFC-PS100A3-Q-3C-BR-P	PLDCLS09080TZ	80/100	120-347	3 000/4 000/5 000	11 520/14 000 ⁴	123-140	80	50 000	III	Bronze	Yes	≥0.9	≤20	400-1 000	250-400	1

¹ **QUICK SHIP:** Product availability is subject to change without notice. Please contact your Stanpro customer service representative to confirm inventory levels at time of order.

² Typical color temperature range: +/- 5 %.

³ Lumen values are derived from photometric testing. Initial lumens range: +/- 10 %.

⁴ Lumen values are based on 4 000 K default settings. Please refer to Quick Ship Technical Specification Table for more details on other color temperatures.

⁵ Life hours are derived from IESNA LM-80-08 testing report and projected per IESNA TM-21-11 extrapolations.

ORDERING GUIDE

Series	Lumen package (W)	Distribution type	Volts (V)	Color temp. (K)	Casting color	Mandatory option	Option
WFC	PS60A - 25/40/60 PS100A - 80/100	2 - Type II 3 - Type III 4 - Type IV	Q - 120-347	3C - 3 000/4 000/5 000	BR - Bronze (standard) BK - Black SP - Custom color	P - Button type photocell	OSI - Occupancy sensor KV - 10 kv surge protection

TECHNICAL SPECIFICATION TABLE

Lumen package	Distribution type	Watts (W)	3 000 K			4 000 K			5 000 K		
			Lumen output (lm)	Efficacy (lm/W)	LED current (mA)	Lumen output (lm)	Efficacy (lm/W)	LED current (mA)	Lumen output (lm)	Efficacy (lm/W)	LED current (mA)
PS60A	II	25	3 762	149	540 - 594	3 911	160	627 - 690	3 917	156	540 - 594
		40	5 699	144	876 - 964	6 001	158	627 - 690	5 874	149	876 - 964
		60	7 921	135	1 265 - 1 391	8 355	153	627 - 690	8 119	140	1 265 - 1 391
	III	25	3 275	131	540 - 594	3 625	145	627 - 690	3 500	140	540 - 594
		40	5 000	125	876 - 964	5 640	141	627 - 690	5 280	132	876 - 964
		60	7 290	122	1 265 - 1 391	8 220	137	627 - 690	7 860	131	1 265 - 1 391
	IV	25	3 631	144	540 - 594	3 783	154	627 - 690	3 816	150	540 - 594
		40	5 502	138	876 - 964	5 800	152	627 - 690	5 724	145	876 - 964
		60	7 414	129	1 265 - 1 391	7 999	147	627 - 690	7 801	135	1 265 - 1 391
PS100A	II	80	11 548	144	1 704 - 1 875	12 312	161	955 - 1 050	11 994	150	1 705 - 1 875
		100	13 251	139	2 088 - 2 297	14 299	158	955 - 1 050	13 737	144	2 088 - 2 297
	III	80	10 160	127	1 704 - 1 875	11 520	144	955 - 1 050	10 720	134	1 705 - 1 875
		100	12 300	123	2 088 - 2 297	14 000	140	955 - 1 050	13 300	133	2 088 - 2 297
	IV	80	10 974	136	1 704 - 1 875	11 810	154	955 - 1 050	11 488	144	1 705 - 1 875
		100	12 909	135	2 088 - 2 297	13 522	149	955 - 1 050	13 062	137	2 088 - 2 297

Default programming

68607: 60 W / 4 000 K

68608: 100 W / 4 000 K

ACCESSORIES (order separately)

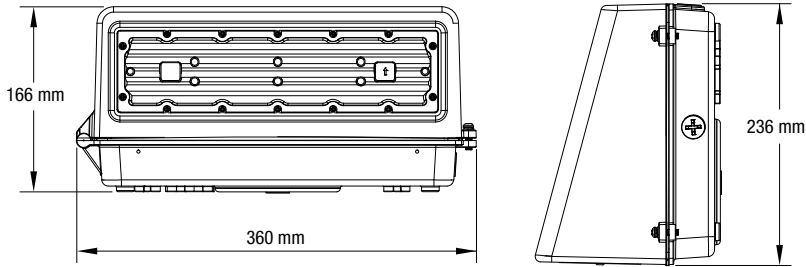
Order code	Description
68609	18" Bronze Metal Backplate
68919	Vandal Resistant Screws Kit

Data is based upon tests performed in a controlled environment. Actual performance can vary depending on operating conditions.

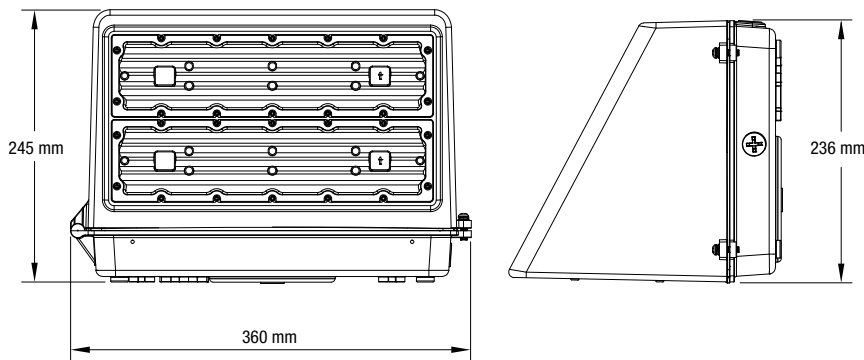
All products are subject to change or may be discontinued any time without notice.

DIMENSIONS

68607

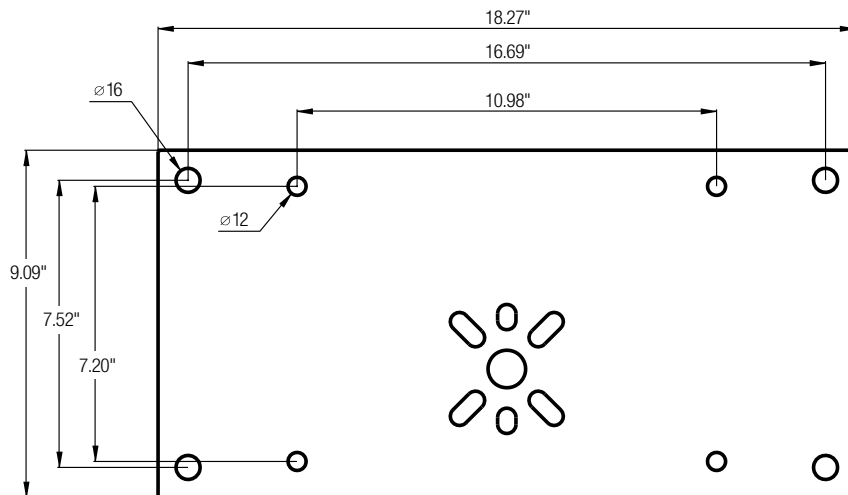


68608



BACKPLATE

68609

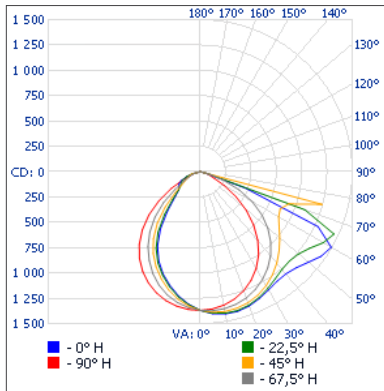


Data is based upon tests performed in a controlled environment. Actual performance can vary depending on operating conditions. All products are subject to change or may be discontinued any time without notice.

PHOTOMETRIC DATA¹

68607 • WFC-PS60A3-Q-3C-BR-P • 25W • 3 620.3 lm

Polar candela distribution



Zonal lumen summary

Zone	Lumens	% Fixture
0-30	1 041.1	28.8%
0-40	1 675.7	46.3%
0-60	2 885.0	79.7%
60-90	735.3	20.3%
70-100	228.2	6.3%
90-120	0	0%
0-90	3 620.3	100%
90-180	0	0%
0-180	3 620.3	100%

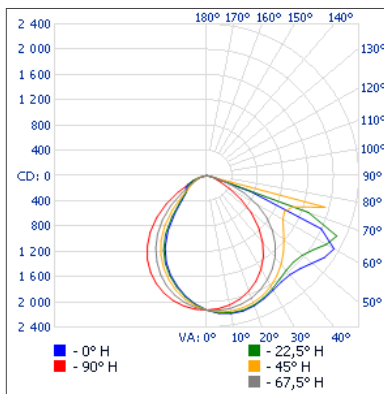
Illuminance at a distance

Center beam fc	Beam width	
	41.6'	40.9'
7'	4.74	
34'	1.18	83.2' 81.8'
51'	0.83	124.8' 122.7'
68'	0.30	166.4' 163.7'
85'	0.19	208.0' 204.6'
102'	0.13	249.6' 245.5'

Vert. spread: 101.5°
Horiz. spread: 100.5°

68607 • WFC-PS60A3-Q-3C-BR-P • 40 W • 5 632.6 lm

Polar candela distribution



Zonal lumen summary

Zone	Lumens	% Fixture
0-30	1 619.8	28.8%
0-40	2 607.2	46.3%
0-60	4 488.7	79.7%
60-90	1 144.0	20.3%
70-100	355.1	6.3%
90-120	0	0%
0-90	5 632.6	100%
90-180	0	0%
0-180	5 632.6	100%

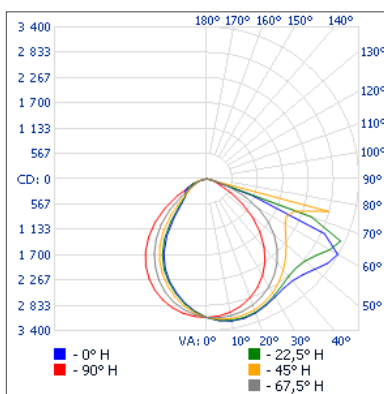
Illuminance at a distance

Center beam fc	Beam width	
	41.6'	40.9'
17'	7.73	
34'	1.84	83.2' 81.8'
51'	0.82	124.8' 122.7'
68'	0.46	166.4' 163.7'
85'	0.29	208.0' 204.6'
102'	0.20	249.6' 245.5'

Vert. spread: 101.5°
Horiz. spread: 100.5°

68607 • WFC-PS60A3-Q-3C-BR-P • 60 W • 8 209.2 lm

Polar candela distribution



Zonal lumen summary

Zone	Lumens	% Fixture
0-30	2 360.8	28.8%
0-40	3 799.9	46.3%
0-60	6 542.0	79.7%
60-90	1 667.3	20.3%
70-100	517.5	6.3%
90-120	0	0%
0-90	8 209.2	100%
90-180	0	0%
0-180	8 209.2	100%

Illuminance at a distance

Center beam fc	Beam width	
	41.6'	40.9'
17'	10.7	
34'	2.68	83.2' 81.8'
51'	1.19	124.8' 122.7'
68'	0.67	166.4' 163.7'
85'	0.43	208.0' 204.6'
102'	0.30	249.6' 245.5'

Vert. spread: 101.5°
Horiz. spread: 100.5°

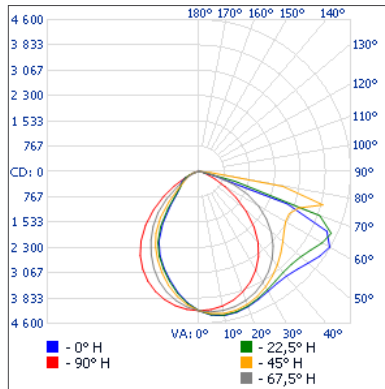
¹ Complete IES files available on our website.

Data is based upon tests performed in a controlled environment. Actual performance can vary depending on operating conditions. All products are subject to change or may be discontinued any time without notice.

PHOTOMETRIC DATA¹

68608 • WFC-PS100A3-Q-3C-BR-P • 80 W • 11 505.8 lm

Polar candela distribution



Zonal lumen summary

Zone	Lumens	% Fixture
0-30	3 162.6	27.5%
0-40	5 081.7	44.2%
0-60	8 754.6	76.1%
60-90	2 656.3	23.1%
70-100	1 066.8	9.3%
90-120	29.1	0.3%
0-90	11 410.9	99.2%
90-180	95.0	0.8%
0-180	11 505.8	100%

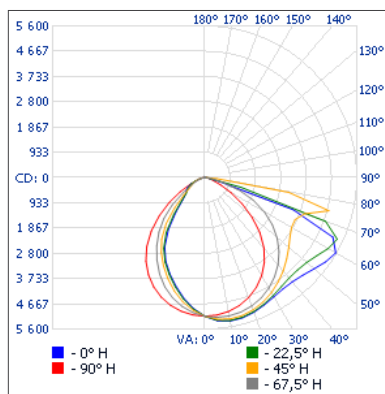
Illuminance at a distance

Center beam fc	Beam width	
	17'	102'
17'	14.6	42.4' 42.9'
34'	3.65	84.8' 85.9'
51'	1.62	127.2' 128.8'
68'	0.91	169.6' 171.7'
85'	0.58	212.0' 214.7'
102'	0.41	254.4' 257.6'

Vert. spread: 102.6°
Horiz. spread: 103.3°

68608 • WFC-PS100A3-Q-3C-BR-P • 100 W • 13 982.8 lm

Polar candela distribution



Zonal lumen summary

Zone	Lumens	% Fixture
0-30	3 843.4	27.5%
0-40	6 175.7	44.2%
0-60	10 639.3	76.1%
60-90	3 228.1	23.1%
70-100	1 296.4	9.3%
90-120	35.4	0.3%
0-90	13 867.4	99.2%
90-180	115.4	0.8%
0-180	13 982.8	100%

Illuminance at a distance

Center beam fc	Beam width	
	17'	102'
17'	7.73	41.6' 40.9'
34'	1.84	83.2' 81.8'
51'	0.82	124.8' 122.7'
68'	0.46	166.4' 163.7'
85'	0.29	208.0' 204.6'
102'	0.20	249.6' 245.5'

Vert. spread: 102.6°
Horiz. spread: 103.3°

¹ Complete IES files available on our website.

Data is based upon tests performed in a controlled environment. Actual performance can vary depending on operating conditions. All products are subject to change or may be discontinued any time without notice.