

Series Spec Sheet

WPS GEN 4

CLASSIC WALL PACK

Selectable color temperature (3 000/4 000/5 000 K)¹

Power selectable¹

Integrated photocell¹

Multi-Voltage (120-347 V)¹

This wall pack series is a classic and familiar design integrated with modern LED technology to promote better energy efficiency and long life. Certain configurations come with integrated photocell, selectable power and/or selectable color temperature. It is best suited for entrances, underpasses or anywhere controlled security lighting is required, the series luminaire is a great addition to any commercial or industrial outdoor wall mount application. The tough die cast aluminum housing is moisture and dustproof.¹



FEATURES AND SPECIFICATIONS

• Construction

Housing

- This luminaire is made of aluminum die cast and comes standard in a bronze powder coat finish.
- The housing has four conduit entries of 1/2" on each sides and some of the configurations comes with a button type photocell that can be turned off by using the internal switch if needed.¹

Lens

Prismatic tempered glass lens is standard in this product series.

• Electrical

- The drivers allows an input voltage from 120-277 V or 120-347 V 50/60 Hz and are 0-10 V dimmable. They are coming with an onboard surge protection:
 - NS29: 2.5kV standard
 - NS40, NS60, NS80, PS40, PS100: 2kV standard
 - NS120: 4kV standard

- This wall pack series is suitable for ambient temperature range of -40 °C to 50 °C. Available in color temperatures of 4 000, 5 000 K or 3 CCT selectable (3 000/4 000/5 000 K) with a lumen per watt ratio of 140 to 152 lm/W depending on the lumen package.
- The color temperature of the fixture is set by default at 4 000 K and can be changed on the field.

• Compliances

- Wet location
- IP65
- Meets requirements of ICES-005 issue 5 for class B products
- cULus
- IK06
- BC Hydro

OVERVIEW

Light source	LED
Watts (W)	25/30/40, 60/80/100 30, 40, 60, 80, 120
Lumens output (lm)	3 625 - 17 885
Efficiency (lm/W)	140 - 152
Color temperature (K)	3 000/4 000/5 000 4 000, 5 000
CRI	> 80

¹ Integrated photocell, multi-volt driver, CCT and Power selectable on some configurations. Consult Quick ship and technical specification table for more details.



quick ship



power selectable¹



dimmable



wet location



ICES 005



IK06



Not all products are qualified on the DLC QPL. To view our DLC qualified products, please consult the DLC Qualified Products List at www.designlights.org/search.

QUICK SHIP AND TECHNICAL SPECIFICATION TABLE ¹

Order code	Model number	DLC unique ID	Watts (W)	Volts (V)	Color temp. (K) ²	Lumen output (lm) ³	Efficiency (lm/W)	Photo-cell ⁶	CRI	Life L70 (hrs) ⁵	Tested hours LM-80 (hrs) ⁵	Calculated TM21 (hrs) ⁵	Finish	Dimming	B.U.G.	LED current (mA)	Power factor	THD (%)	Case qty (master)
Power Select, CCT Select and Integrated Photocell⁶																			
68314	WPS-PS40-Q-3C	PLW61NEJG5OK	25/30/40	120-347	3000/4000/5000	3875/4500/5800 ⁴	141	Yes	>80	54 000	9 000	173 600	Bronze	Yes	B1U3G4	850	≥0.9	≤20	1
68315	WPS-PS100-Q-3C	PLE7PYF9LCSH	60/80/100	120-347	3000/4000/5000	9300/12000/14500 ⁴	137	Yes	>80	54 000	9 000	173 600	Bronze	Yes	B1U3G4	2 100	≥0.9	≤20	1
Single Power, Single CCT and Integrated Photocell⁶																			
68524	WPS-NS30-W-40K/P127	PLR8ZUPYOSG2	29	120-277	4 000	4 098	146	Yes	>80	54 000	9 000	173 600	Bronze	Yes	B1U3G5	230	≥0.9	≤20	1
68525	WPS-NS30-W-50K/P127	PLZS3N0EF1Y5	29	120-277	5 000	4 118	148	Yes	>80	54 000	9 000	173 600	Bronze	Yes	B1U3G5	230	≥0.9	≤20	1
Single Power and Single CCT																			
68490	WPS-NS40-W-40K	PLVM09BUX07G	40	120-277	4 000	6 004	142	No	>80	54 000	9 000	173 600	Bronze	Yes	B1U3G4	354	≥0.9	≤20	1
68491	WPS-NS40-W-50K	PL3ULW7TEV5H	40	120-277	5 000	6 034	144	No	>80	54 000	9 000	173 600	Bronze	Yes	B1U3G4	354	≥0.9	≤20	1
68492	WPS-NS60-W-40K	PL6EFOUTBPWB	60	120-277	4 000	8 458	146	No	>80	54 000	9 000	173 600	Bronze	Yes	B1U3G5	486	≥0.9	≤20	1
68493	WPS-NS60-W-50K	PL01JETYSQ80	60	120-277	5 000	8 611	147	No	>80	54 000	9 000	173 600	Bronze	Yes	B1U3G5	486	≥0.9	≤20	1
68497	WPS-NS80-W-40K	PLVXL8TOP2UF	80	120-277	4 000	11 242	146	No	>80	54 000	9 000	173 600	Bronze	Yes	B1U4G5	645	≥0.9	≤20	1
68498	WPS-NS80-W-50K	PL2AZJG3LORQ	80	120-277	5 000	11 446	148	No	>80	54 000	9 000	173 600	Bronze	Yes	B1U4G5	645	≥0.9	≤20	1
Single Power, CCT Select and Integrated Photocell⁶																			
68316	WPS-NS120-Q-3C	PLYRMZYS3AY3	120	120-347	3000/4000/5000	16 943	137	Yes	>80	54 000	9 000	173 600	Bronze	Yes	B2U4G5	2 600	≥0.9	≤20	1

¹ **QUICK SHIP:** Product availability is subject to change without notice. Please contact your Stanpro customer service representative to confirm inventory levels at time of order.

² Typical color temperature range: +/- 5 %.

³ Lumen values are derived from photometric testing. Initial lumens range: +/- 10 %.

⁴ Lumen values are based on 4 000 K default settings. Please refer to Quick ship Technical Specification Table for more details on other color temperatures.

⁵ Life hours are derived from IESNA LM-80-08 testing report and projected per IESNA TM-21-11 extrapolations.

⁶ Integrated ON/OFF photocell that can be easily disabled.

ACCESSORIES (order separately)

Order code	Description
68370	18" Bronze metal backplate
68371	Bronze glareshield
68372	Stainless Steel wireguard



ORDERING GUIDE

Series	Lumen package (W)	Volts (V)	Color temp. (K)	Casting color	Options
WPS	PS40 - 25/30/40 PS100 - 60/80/100 NS120 - 120	Q - 120-347	3C - 3 000/4 000/5 000	BR - Bronze (standard) BK - Black WH - White	KV - 10 kV surge Protection PC - Polycarbonate lens
	NS30 ¹ - 29 NS40 - 40 NS60 - 60 NS80 - 80	W - 120-277	40K - 4 000 50K - 5 000	SP- Special color	KV - 10 kV surge Protection P127 ¹ - Button type photocell 120-277 V PC - Polycarbonate lens

¹ Button type photocell 120-277 V comes standard with the "NS30" lumen package.

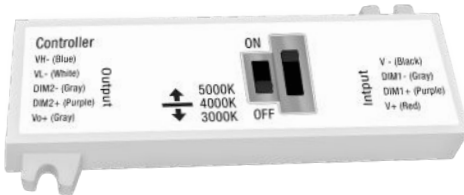
Data is based upon tests performed in a controlled environment. Actual performance can vary depending on operating conditions. All products are subject to change or may be discontinued any time without notice.

QUICK SHIP TECHNICAL SPECIFICATION TABLE

Order code	Model number	Watts (W)	3 000 K		4 000 K		5 000 K	
			Lumen output (lm)	Efficiency (lm/W)	Lumen output (lm)	Efficiency (lm/W)	Lumen output (lm)	Efficiency (lm/W)
68314	WPS-PS40-Q-3C	25	3 625	145	3 875	155	3 700	148
		30	4 260	142	4 500	150	4 320	144
		40	5 623	141	5 800	145	5 720	143
68315	WPS-PS100-Q-3C	60	8 520	142	9 300	155	8 880	148
		80	11 040	138	12 000	150	11 680	146
		100	13 717	137	14 500	145	14 400	144
68316	WPS-NS120-Q-3C	120	16 943	137	17 885	147	17 810	144

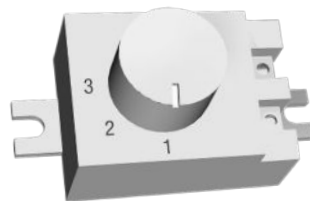
Default programming
 68314: 40 W / 4 000 K
 68315: 100 W / 4 000 K
 68316: 120 W / 4 000 K

SELECTABLE COLOR TEMPERATURE AND ON/OFF INTEGRATED PHOTOCELL ¹



POWER SELECTABLE¹

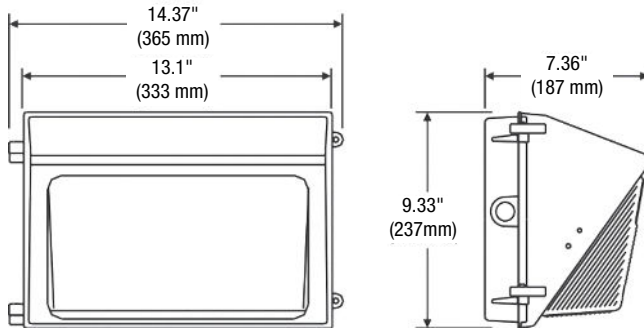
Power Selection	Order code	
	68314	68315
1	25 W	60 W
2	30 W	80 W
3	40 W	100 W



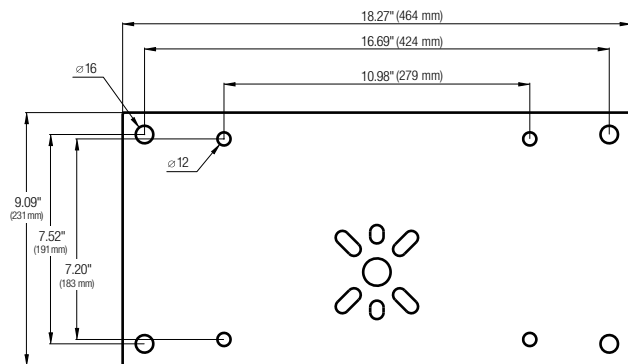
¹ Integrated photocell, multi-volt driver, CCT and Power selectable on some configurations. Consult Quick ship and technical specification table for more details.

Data is based upon tests performed in a controlled environment. Actual performance can vary depending on operating conditions. All products are subject to change or may be discontinued any time without notice.

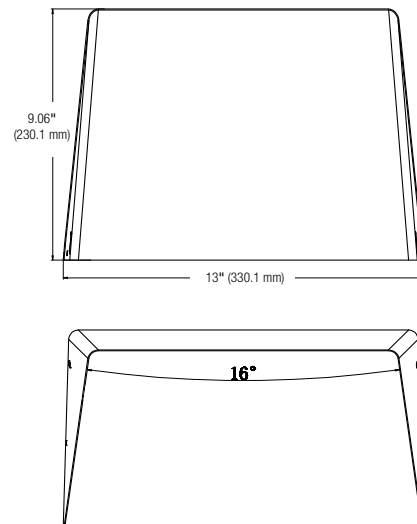
DIMENSIONS



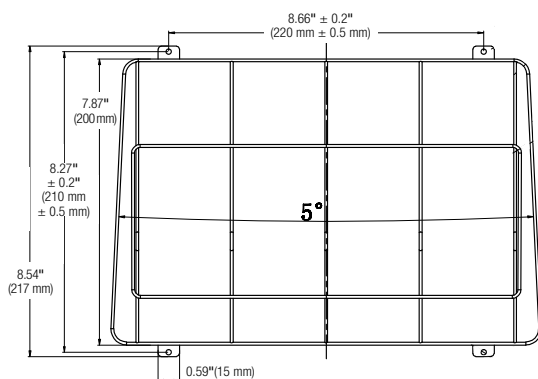
BACKPLATE



GLARESHIELD



WIREGUARD

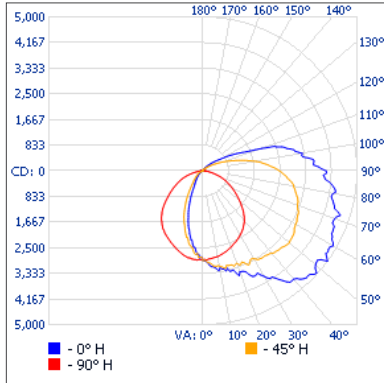


Data is based upon tests performed in a controlled environment. Actual performance can vary depending on operating conditions. All products are subject to change or may be discontinued any time without notice.

PHOTOMETRIC DATA¹

68314 • WPS-PS40-Q-3C • 5 403.5 lm

Polar candela distribution



Zonal lumen summary

Zone	Lumens	% Lamp
0-30	820.9	15.2%
0-40	1 349.6	25%
0-60	2 629.8	48.7%
60-90	1 784.2	33%
70-100	1 564.6	29%
90-120	874.9	16.2%
0-90	4 414.1	81.7%
90-180	989.5	18.3%
0-180	5 403.5	100%

Illuminance at a distance

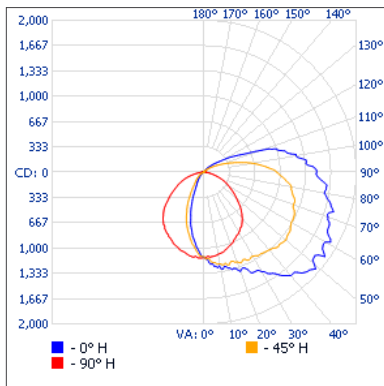
Center beam fc	Beam width
8.3'	16.2
16.7'	4.00
25.0'	1.79
33.3'	1.01
41.7'	0.64
50.0'	0.45

Beam width	Beam width
25.7'	22.2'
51.8'	44.7'
77.5'	66.9'
103.2'	89.1'
129.2'	111.6'
155.0'	133.8'

■ Vert. spread: 114.3°
■ Horiz. spread: 106.4°

68315 • WPS-PS100-Q-3C • 13 962.6 lm

Polar candela distribution



Zonal lumen summary

Zone	Lumens	% Lamp
0-30	2 126.9	15.2%
0-40	3 508.3	25.1%
0-60	6 829.9	48.9%
60-90	4 607.0	33%
70-100	4 032.6	28.9%
90-120	2 240.9	16%
0-90	11 436.9	81.9%
90-180	2 525.8	18.1%
0-180	13 962.6	100%

Illuminance at a distance

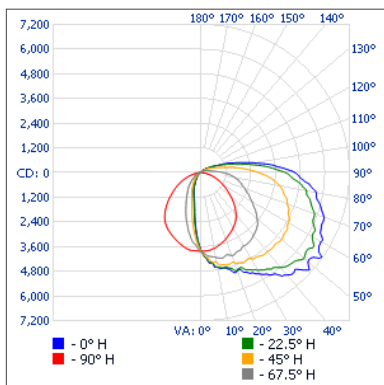
Center beam fc	Beam width
8.3'	42.3
16.7'	10.4
25.0'	4.66
33.3'	2.63
41.7'	1.67
50.0'	1.13

Beam width	Beam width
26.4'	22.2'
53.1'	44.7'
79.5'	66.9'
105.8'	89.1'
132.5'	111.6'
158.9'	133.8'

■ Vert. spread: 115.6°
■ Horiz. spread: 106.5°

68316 • WPS-NS120-Q-3C • 17 344.7 lm

Polar candela distribution



Zonal lumen summary

Zone	Lumens	% Lamp
0-30	2 676.5	15.4%
0-40	4 514.6	26%
0-60	9 031.9	52.1%
60-90	6 039.4	34.8%
70-100	4 898.9	28.2%
90-120	1 974.9	11.4%
0-90	15 071.3	86.9%
90-180	2 273.4	13.1%
0-180	17 344.7	100%

Illuminance at a distance

Center beam fc	Beam width
8.3'	55.7
16.7'	13.8
25.0'	6.14
33.3'	3.46
41.7'	2.21
50.0'	1.54

Beam width	Beam width
18.7'	19.8'
37.7'	39.8'
56.4'	59.6'
75.1'	79.4'
94.0'	99.4'
112.8'	119.4'

■ Vert. spread: 96.9°
■ Horiz. spread: 100.0°

¹ Complete IES files available on our website.

Data is based upon tests performed in a controlled environment. Actual performance can vary depending on operating conditions. All products are subject to change or may be discontinued any time without notice.