

Series Spec Sheet

WTD-L

OUTDOOR DECORATIVE LED WALL PACK

Integrated photocell

The WTD-L is a decorative outdoor LED wall luminaire. Its modern design made of sturdy die cast aluminum is a great combination of aesthetics and durability. The highly efficient LEDs maximize the lumen output while minimizing wattage consumption. The WTD-L is intended for use in commercial or residential areas. Typical applications include general lighting of parking areas, parks, underground pathways, hotels and entry-ways. Wall mount directly over an octagon box or use with surface conduit.

FEATURES AND SPECIFICATIONS

• Construction

Housing

- Die cast aluminum housing
- Available in bronze, black and white

Installation

Wall mount or surface conduit

Lens

Polycarbonate lens

• Electrical

- Integrated photocell: Easily select photocell mode or wall switch mode
- Input voltage: 120 V
- High quality, long life LEDs
- Estimated lifespan of 50 000 hours

• Compliances

- Suitable for wet locations
- cULus Listed

OVERVIEW

Light source	LED
Watts (W)	14
Lumen output (lm)	1 192
Efficiency (lm/W)	85.1
Color temperature (K)	5 000



quick
ship



LED
fixture



wet
location



QUICK SHIP AND TECHNICAL SPECIFICATION TABLE 🕒¹

Model number	Volts (V)	Watts (W)	Color temp. (K) ²	Lumen output (lm) ³	Efficiency (lm/W)	Housing color	Power factor	THD (%)	BUG	L70 (hrs) ⁴	TM21 (hrs) ⁴	LM80 (hrs) ⁴
WTD-LS1-A/50K/P	120	14	5 000	1 192	85.1	Bronze	0.99	8.40	021	>33 000	50 000	6 000
WTD-LS1-A/50K/P-BK	120	14	5 000	1 192	85.1	Black	0.99	8.40	021	>33 000	50 000	6 000
WTD-LS1-A/50K/P-WH	120	14	5 000	1 192	85.1	White	0.99	8.40	021	>33 000	50 000	6 000

¹ **QUICK SHIP:** Product availability is subject to change without notice. Please contact your Stanpro customer service representative to confirm inventory levels at time of order.

² Typical color temperature range: +/- 5 %.

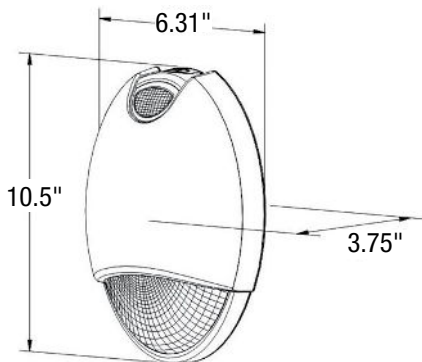
³ Lumen values are derived from photometric testing. Initial lumens range: +/- 10 %.

⁴ Life hours are derived from IESNA LM-80-08 testing report and projected per IESNA TM-21-11 extrapolations.

ORDERING GUIDE

Series	Lamp type	Lumen package (W)	Volts (V)	Color temp. (K)	Options	Housing color
WTD	L - LED	S1 - 14	A - 120	50K - 5 000	P - 120 V photocell (standard)	Blank - Bronze (standard) BK - Black WH - White

DIMENSIONS



Data is based upon tests performed in a controlled environment. Actual performance can vary depending on operating conditions. All products are subject to change or may be discontinued any time without notice.