

YDD-L GEN 2 DUSK TO DAWN YARD LIGHT

The YDD-L is an energy efficient dusk to dawn yard light. It was designed for barns and farms. It is a versatile and economic light source that is good on the environment and uses long life LED's. The YDD-L comes standard with a photocontrol which helps to provide significant power savings. It includes an installation bracket for pole and wall mounting and a 21" arm for ease and versatility of installation. All units come standard with 3' of cable to facilitate the connection to the junction box when mounting with the pole arm.

FEATURES AND SPECIFICATIONS

• Construction

Housing

Heavy-duty cast aluminum housing finished standard in a grey polyester powder coating with anti-corrosive finish and rust proof. Standard pole mount compatible. Dusk to Dawn with photo control.

Mounting options

The YDD-L comes standard with a removable 21" arm for pole or wall mounting.

Lens

Polycarbonate diffused lens encloses high performance LEDs.

• Electrical

- Comes standard with 120-277 V 50/60Hz non-dimmable and rated IP65 driver
- 3' of power cable is included to facilitate the connection to the junction box when mounting with the 21" pole arm
- Twist-lock grey photocell 120-277 V included
- Ambient operating temperature range of -40°C to +40°C

• Compliances

- Wet location
- IK07
- Meets requirements of ICES-005 issue for class B product
- cETLus



OVERVIEW

Light source	LED
Watts (W)	56
Lumen output (lm)	6843 - 7333
Efficiency (lm/W)	123 - 130
Color temperature (K)	4 000 - 5 000
Weight (lbs)	3.66



ICES
005



QUICK SHIP AND TECHNICAL SPECIFICATION TABLE  ¹

Order code	Description	Watts (W)	Volts (VAC)	Color temp. (K) ²	Lumen output (lm) ³	Efficiency (lm/W)	CRI	Life L70 (hrs) ⁴	Power factor	THD (%)	Traditional equivalent (W)	Case qty (master)
68189	YDD-LS2B-W/4KPT	56	120-277	4 000	6 843	123	82.7	>54 000	0,75-0,98	9	130	4
68190	YDD-LS2B-W/5KPT	56	120-277	5 000	7 333	130	84.6	>54 000	0,75-0,98	9	140	4

¹ **QUICK SHIP:** Product availability is subject to change without notice. Please contact your Stanpro customer service representative to confirm inventory levels at time of order.

² Typical color temperature range: +/- 5 %.

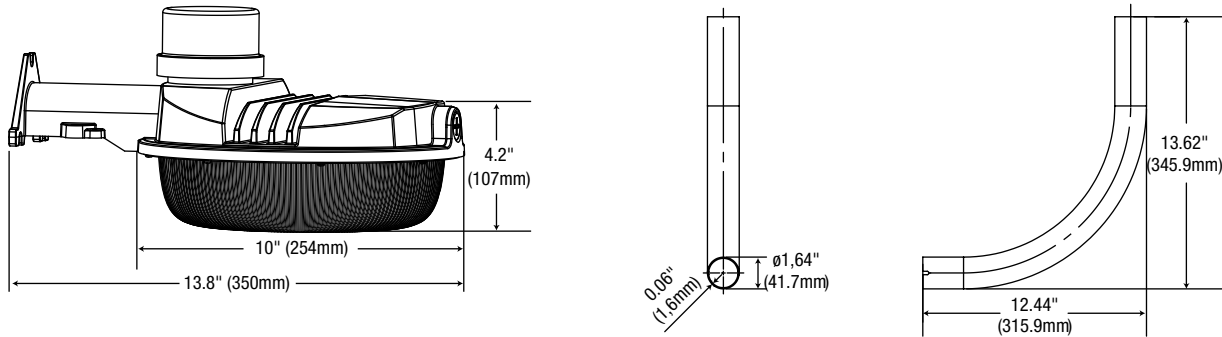
³ Lumen values are derived from photometric testing. Initial lumens range: +/- 10 %.

⁴ Life hours are derived from IESNA LM-80-08 testing report and projected per IESNA TM-21-11 extrapolations.

ACCESSORIES (order separately)

Part number	Type
PH0009	Shorting cap

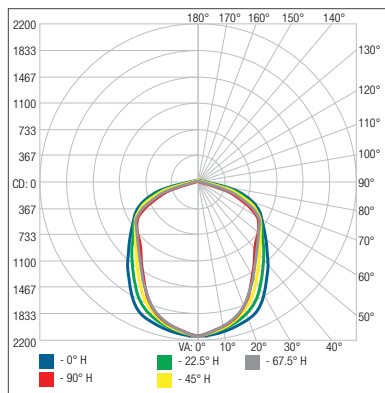
DIMENSIONS



PHOTOMETRIC DATA¹

68189 • YDD-LS2B-W/4KPT • 6 830.5 lm

Polar candela distribution



Zonal lumen summary

Zone	Lumens	% Fixture
0-30	1 654.5	24.2%
0-40	2 646.8	38.7%
0-60	4 654.9	68.1%
60-90	1 843.1	27%
70-100	1 025.5	15%
90-120	214.0	3.1%
0-90	6 498.0	95.1%
90-180	332.5	4.9%
0-180	6 830.5	100%

Illuminance at a distance

Center beam fc	Beam width
17.0'	7.39 fc
34.0'	1.85 fc
51.0'	0.82 fc
68.0'	0.46 fc
85.0'	0.30 fc
102.0'	0.21 fc

Vert. spread: 116.7°
Horiz. spread: 107.7°

¹ Complete IES files available on our website.

Data is based upon tests performed in a controlled environment. Actual performance can vary depending on operating conditions. All products are subject to change or may be discontinued any time without notice.