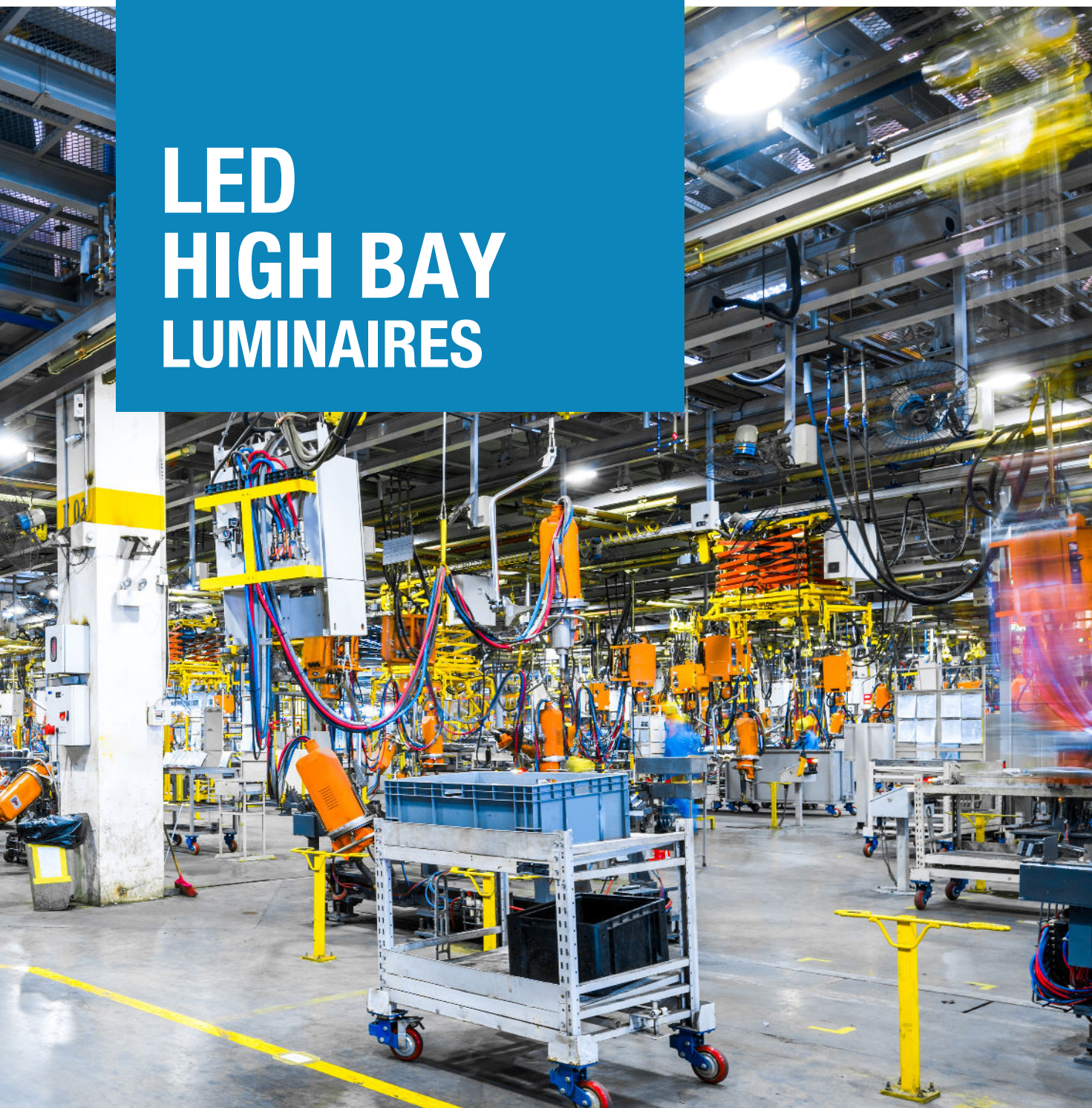




LED HIGH BAY LUMINAIRES



STANPRO





TABLE OF CONTENTS

ROUND LED HIGH BAY	L1RUH ROUND ECONOMIC AND HIGH PERFORMING LUMINAIRE		<i>04</i>
	L1RSH ROUND ECONOMIC AND HIGH PERFORMING LUMINAIRE	Quick Ship ☺	<i>08</i>
LINEAR LED HIGH BAY	L1LEH ECONO LED LINEAR HIGH BAY LUMINAIRE		<i>13</i>
	L1FB LINEAR HIGH BAY	Made to order ☹	<i>18</i>

L1RUH

ROUND ECONOMIC AND HIGH PERFORMING LUMINAIRE

CCT AND POWER SELECTABLE
INTEGRATED SENSOR

DESCRIPTION

Our economic series of LED High Bays are an energy efficient solution with a simple design. This type of luminaire is ideal for any application such as warehouses, manufacturing facilities, sports arenas, and other large high ceiling indoor applications. The IP65 rating allows this fixture to be installed where dust and water spray may be present. Meets NEMA 4X and NSF.



100-150 W



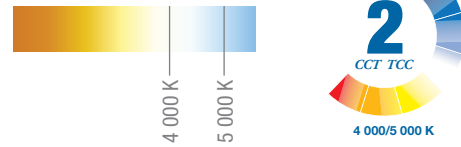
200-240 W



FEATURES

- 10' power and dimming cables included with all configurations
- Pure light aluminum housing
- 12.6" - 14.76" diameter
- Clear PC lens over LEDs
- 13 465 - 37 900 lm
- 133 lm/W - 168 lm/W
- CCT and Power Selectable
- 120-277V, 120-347 V
- 80+ CRI
- 0-10 V dimming standard
- 4 kV surge protection
- Ambient temperature from -40°C to +50°C
- Estimated lifespan of over 54 000 hours to L70
- Meets NSF /NEMA 4X

COLOR TEMPERATURE



FIXTURE COLOR

- Black

ACCESSORIES AND OPTIONS

Aluminum reflector and Clear polycarbonate reflector, Junction box adapter, trunnion, external high frequency sensor kit, external pir sensor kit, Remote control for motion sensors, Emergency back-up, EM back-up remote control

MOUNTING OPTIONS

Hook mount standard. The hook is removable for 1/2' NPT conduit mounting. For additional security, use the safety cable accessory. A trunnion ($\pm 90^\circ$) is also available for yoke bracket surface mounting.

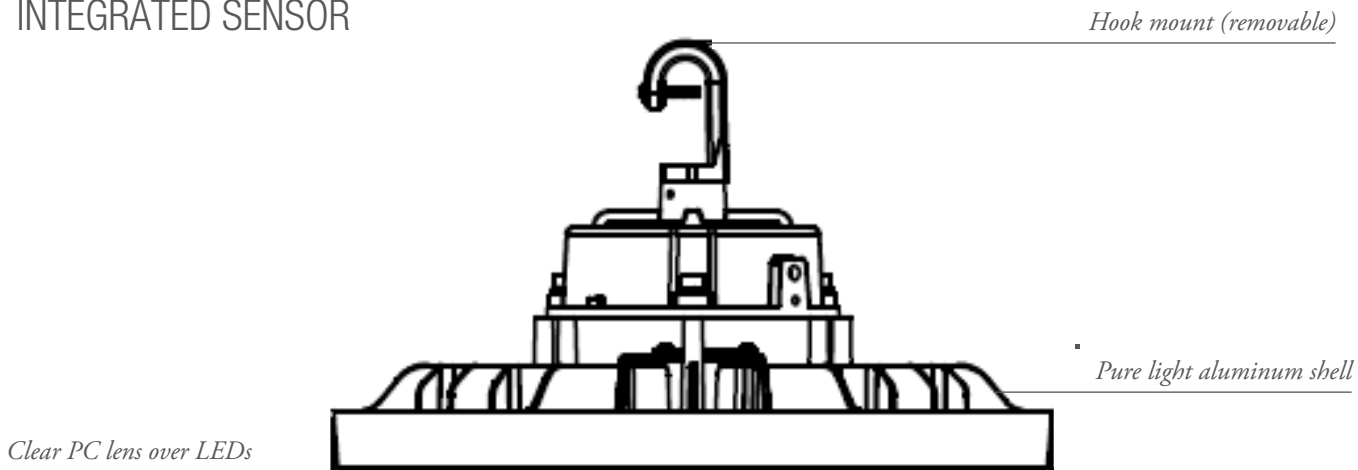


Not all products are qualified on the DLC QPL. To view our DLC qualified products, please consult the DLC Qualified Products List at www.designlights.org/search.

L1RUH

ROUND ECONOMIC AND HIGH PERFORMING LUMINAIRE

CCT AND POWER SELECTABLE
INTEGRATED SENSOR



- 10' power and dimming cables included with all configurations
- Rated IP65 to prevent it from dust, wet or damp factors
- Surge protection 4 kV

AVAILABLE REFLECTORS



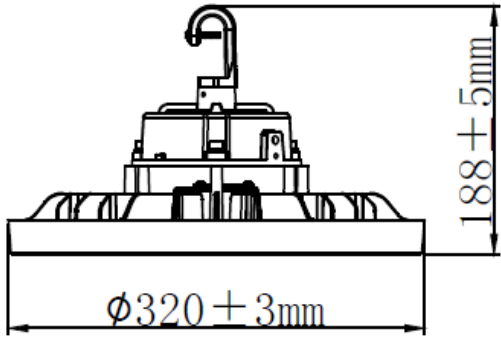
CLEAR PC REFLECTOR



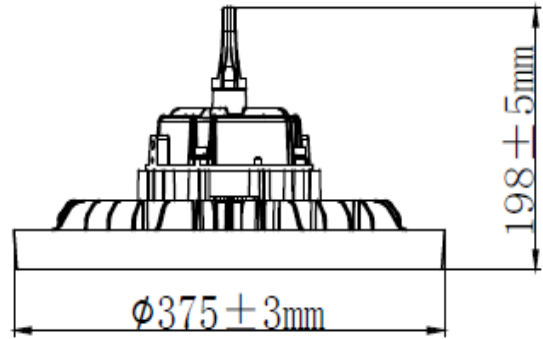
ALUMINUM REFLECTOR

DIMENSIONS

100-150 W



200-240 W



L1RSH

ROUND ECONOMIC AND HIGH PERFORMING LUMINAIRE

DESCRIPTION

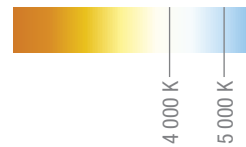
Our economic series of LED High Bays are an energy efficient solution with a simple design. This type of luminaire is ideal for any application such as stockrooms, manufacturing, sports arenas, and other large high ceiling indoor applications. The IP65 rating allows this fixture to be installed where dust and water spray may be present.



FEATURES

- 10' power and dimming cables included with all configurations
- Pure light aluminum shell
- 9.4" - 12.0" diameter
- Clear polycarbonate lens over LEDs
- 15 147 lm - 37 911 lm
- Efficacy from 133lm/W - 163lm/W
- 120-277 V, 347 V
- 80+ CRI
- Ambient temperature: 40°C TO +45°C
- Life L70: 151 000 hours
- Color temperatures: 4 000 K, 5 000 K

COLOR TEMPERATURE



FIXTURE COLOR

- Black

ACCESSORIES AND OPTIONS

Aluminum reflector, clear polycarbonate reflector, high frequency sensor, trunnion ($\pm 90^\circ$), safety cable.

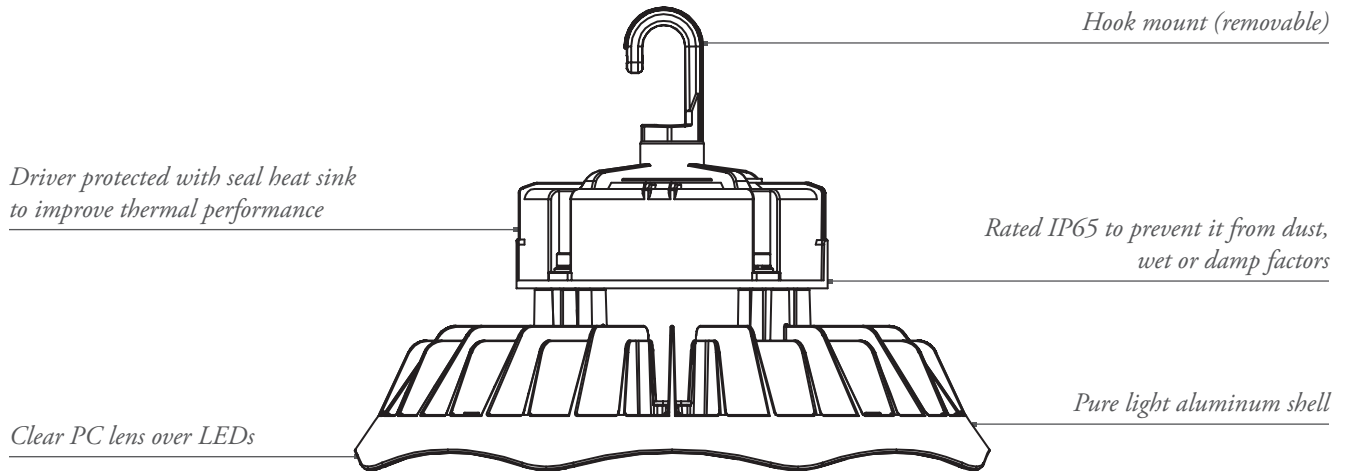
MOUNTING OPTIONS

Hook mount standard. The hook is removable for $\frac{1}{2}$ " NPT conduit mounting. For additional security, use the safety cable accessory. A trunnion ($\pm 90^\circ$) is also available for yoke bracket surface mounting.



L1RSH

ROUND ECONOMIC AND HIGH PERFORMING LED HIGH BAY

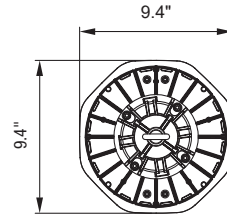
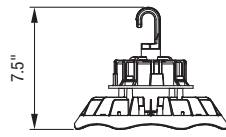


- 10' power and dimming cables included with all configurations
- Standard 110° beam angle

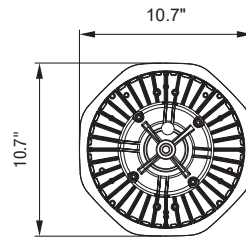
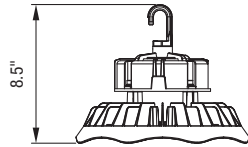


DIMENSIONS

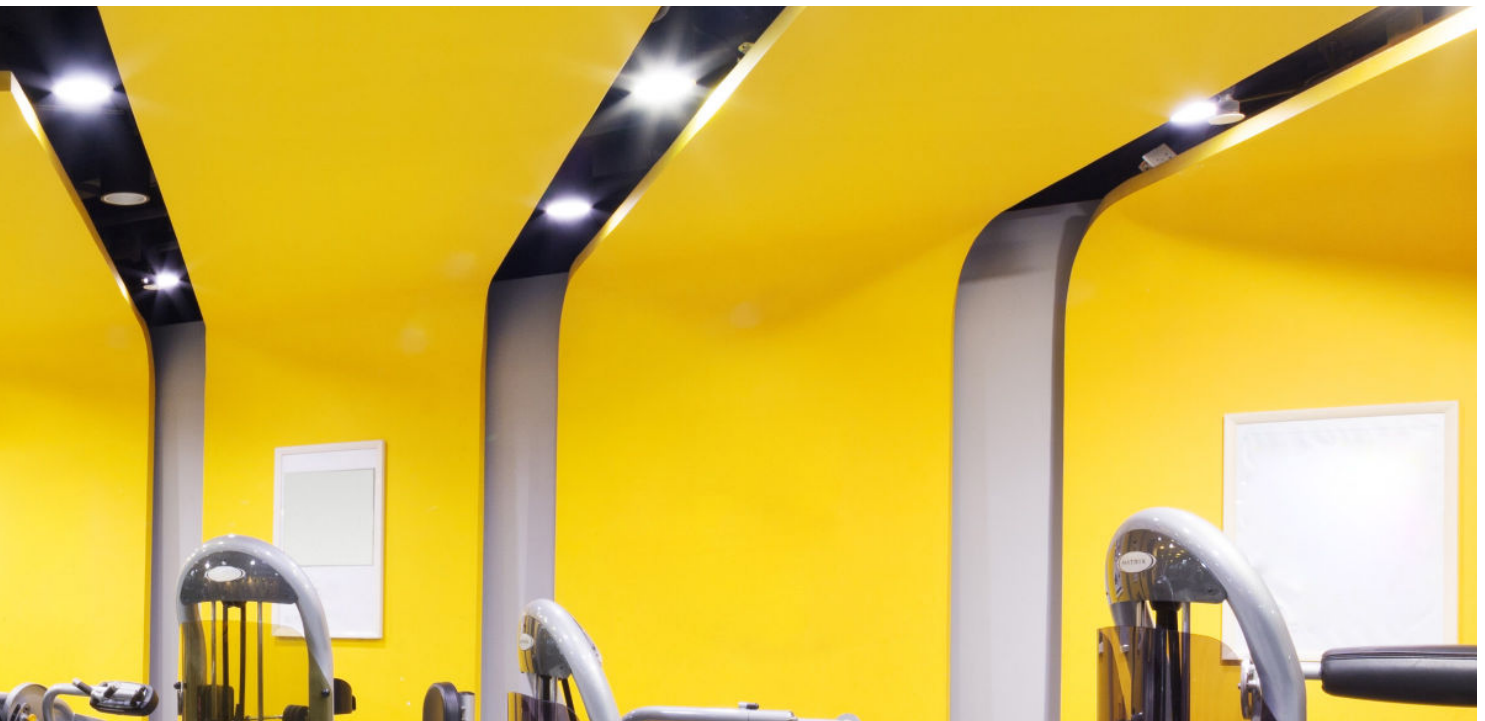
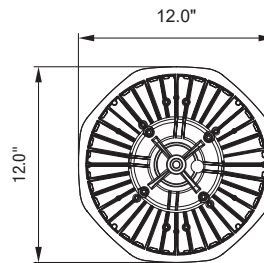
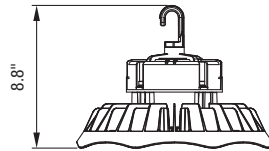
S1 – 120-277 V et 347 V



S2-S3 – 120-277 V et 347 V



S4 – 120-277 V et 347 V







L1LEH

**ECONO LED LINEAR
HIGH BAY LUMINAIRE**
MULTI-VOLTAGE
(120-347 V)

DESCRIPTION

Stanpro's economic L1LEH Linear High Bay with optional integrated sensor, is ideally suited for high ceiling warehouses as well as arenas where uniform and efficient lighting is required.



L1LEH

ECONO LED LINEAR HIGH BAY LUMINAIRE

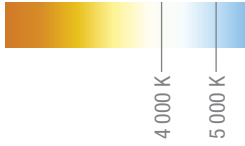
MULTI-VOLTAGE
(120-347 V)

FEATURES

- White powder coated 22 gauge slim, lightweight steel housing.
- Well ventilated driver compartment for optimal thermal management.
- Frosted PMMA lens over LEDs provides a diffused light distribution.
- 6' power cable included with all configurations
- 11 475 - 54 000 lm
- 135 lm/W
- 120-347 V
- 80+ CRI
- 2.0 kV surge protection
- Ambient temperature from -20°C to +50°C
- Estimated lifespan of over 54 000 hours to L70
- 0-10V dimming driver included. Dimming cables sold separately



COLOR TEMPERATURE



FIXTURE COLOR

White

ACCESSORIES AND OPTIONS

V-Hooks, Chain Kits, Surface mount bracket, Conduit mount kit, Wireguard, External high frequency sensor kit, External PIR sensor kit, Remote control RM51 for motion sensors

MOUNTING OPTIONS

Surface, suspended or pendant. Set of 2 V-Hooks and chains are provided with all configurations. Other mounting options are available, please consult accessory table.



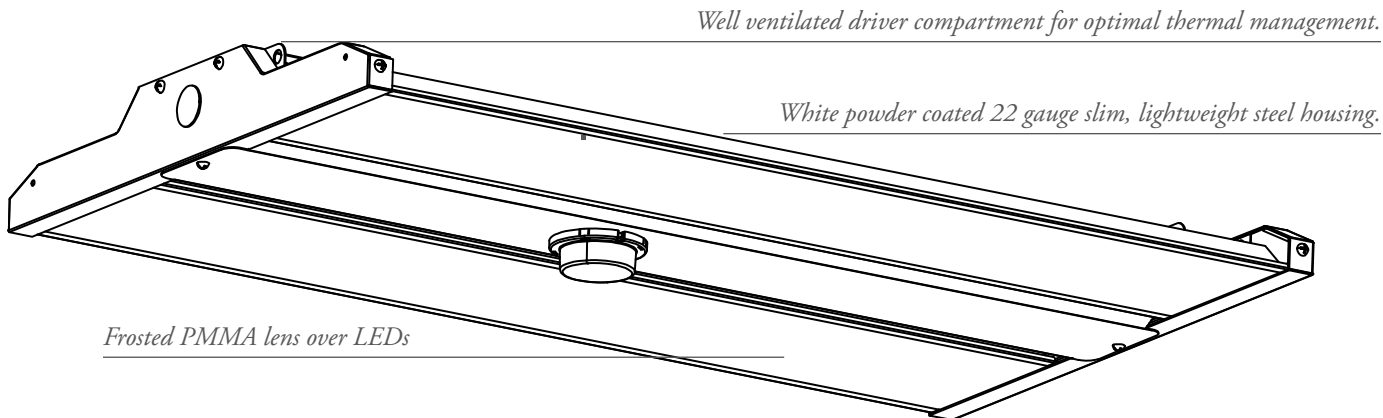
Not all products are qualified on the DLC QPL. To view our DLC qualified products, please consult the DLC Qualified Products List at www.designlights.org/search.



L1LEH

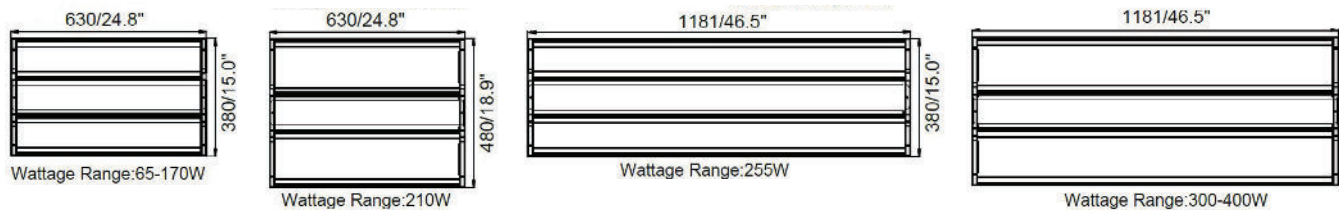
ECONO LED LINEAR HIGH BAY LUMINAIRE

MULTI-VOLTAGE
(120-347 V)



- 6' power cable included with all configurations
- Surge protection 2 kV

DIMENSIONS





L1FB

LINEAR LED HIGH BAY

DESCRIPTION

The L1FB is a high bay ideal for extensive high ceiling applications as it provides uniform lighting with 140lm/W high efficacy. This **made to order** fixture is available in 4' and it offers a variety of lenses, color temperature, occupancy sensors and more. The L1FB high bay is the right choice for wide range of commercial and industrial applications such as warehouses, factories, sports arenas and large stores.







L1FB

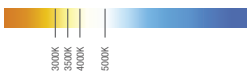
**LINEAR LED
HIGH BAY**

FEATURES

- Housing made with 22-gauge rolled steel with enamel powder coating
- 12 085 lm - 54 396 lm
- 126.5 lm/W - 149.9 lm/W
- 120-277 V, 347 V
- 80+ CRI
- Ambient temperature -40°C to +55°C
- Estimated lifespan of over 60 000 hours to L70



COLOR TEMPERATURE



FIXTURE COLOR

White

ACCESSORIES AND OPTIONS

Wireguard, PIR and high frequency occupancy sensors, frosted and clear prismatic lens, 10 kV surge protector

MOUNTING OPTIONS

Pendant mount with hooks and aviation cables

5 yrs
warranty


LED
fixture

6
damp
location

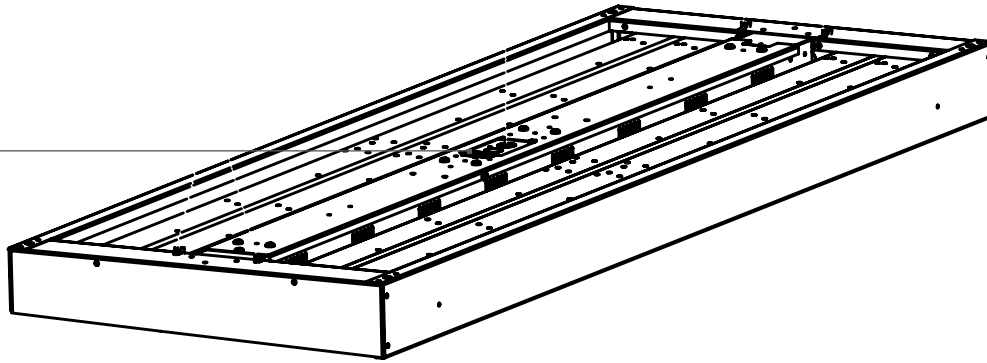

made
to order


C US

L1FB

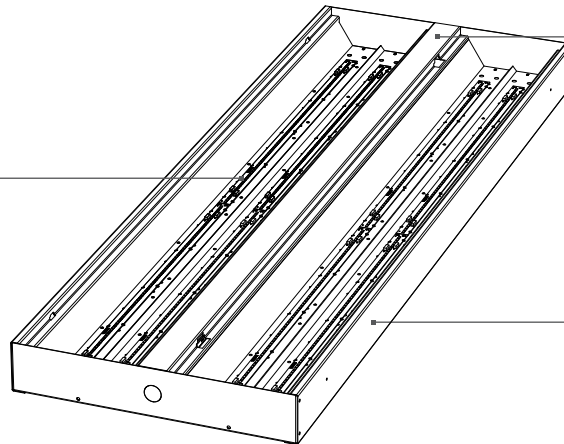
LINEAR LED
HIGH BAY

Easy
driver
access



Housing made
with 22-gauge
rolled steel
with enamel
powder coating

4 or 6 rows of high
quality LED chips



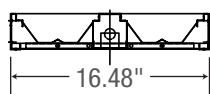
Specular reflectors
with high reflectance

Aluminum and clear polycarbonate
reflectors and wireguards available

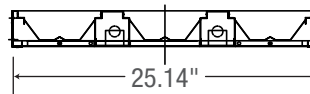
- 6' of power cable and dimming wires
- 6 lumen packages available

DIMENSIONS

S1A, S2A, S3A, S4A



S5A, S6A











Printed in Canada.

© 2022 STANDARD Products Inc. All Rights Reserved.

Data is based upon tests performed in a controlled environment.
Actual performance can vary depending on operating conditions.

All products are subject to change or may be discontinued any time without notice.

For the latest version, please refer to our website.

www.standardpro.com



STANPRO



STANPRO

www.standardpro.com