



standardpro.com

STANPRO

RECESSED LED

REC4-L SERIES



STANPRO



Printed in Canada.

© 2021 STANDARD Products Inc. All Rights Reserved.

Data is based upon tests performed in a controlled environment.
Actual performance can vary depending on operating conditions.
All products are subject to change or may be discontinued any time without notice.

For the latest version, please refer to our website.

www.standardpro.com

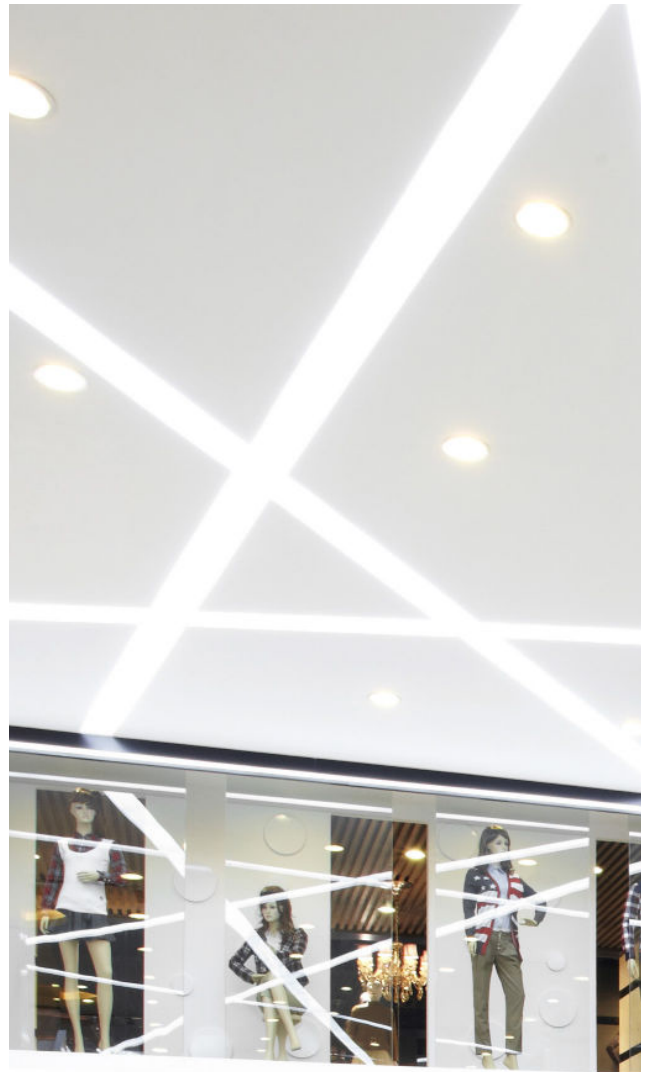


STANPRO

Recessed lights

Recessed lighting blends in best with the surrounding architecture. Our recessed fixtures hide their technical structure which keeps the aesthetic impact on their environment to a minimum.

Our ever-expanding collection of LED luminaires lead the way in energy efficiency and innovation.



REC4-L series

The 4" recessed LED series is developed with an integrated COB and built in driver with a choice of two lumen options. This fixture is ideal for commercial and residential use, proposing a variety of trim selections and beam angles.

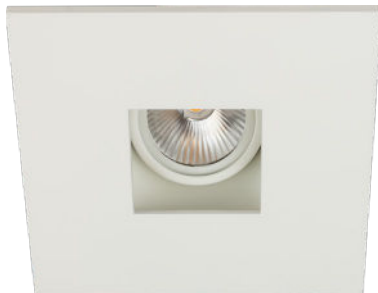
Light source	LED
Watts (W)	9 - 13
Lumen output (lm) ¹	1 152 - 1 593
Efficiency (lm/W)	123 - 128
Color temperature (K)	2 700, 3 000, 3 500, 4 000
CRI	80+ , 90+

¹ Lumen information is based on medium beam reflector and 3 000 K color temperature.



TRIMS \varnothing 4"





¹ 5 year warranty for the LINK normally ON remote.
² Only with REC407-L trim.

 **LINK¹**
 EMERGENCY
 LIGHTING
 LUMINAIRE
remote normally ON

5^{yrs}
 warranty


 LED
 fixture


 damp
 location

²
 wet
 location


 airtight


 ICES
 005


 C US



REC401-L

Regressed Round Gimbal

Diameter: 4-7/8"
Rotation angle: 35°



Clear-White

REC402-L

Gimbal

Diameter: 4-7/8"
Rotation angle: 35°



Satin Chrome



Black



White



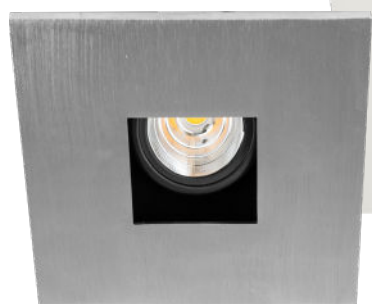
Bronze

REC403-L

Regressed Square Gimbal

Diameter: 5-1/8" x 5-1/8"

Rotation angle: 35°



Black-Satin Chrome



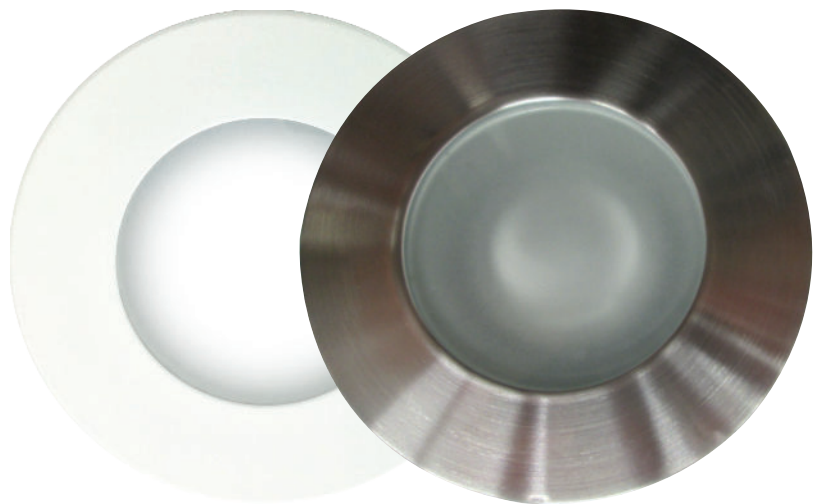
White-White





REC407-L Shower Trim

Diameter: 4.89"



White-White

Satin Chrome

REC408-L

Slot Aperture (Wall Washer)

Diameter: 4-7/8"
Rotation angle: 35°



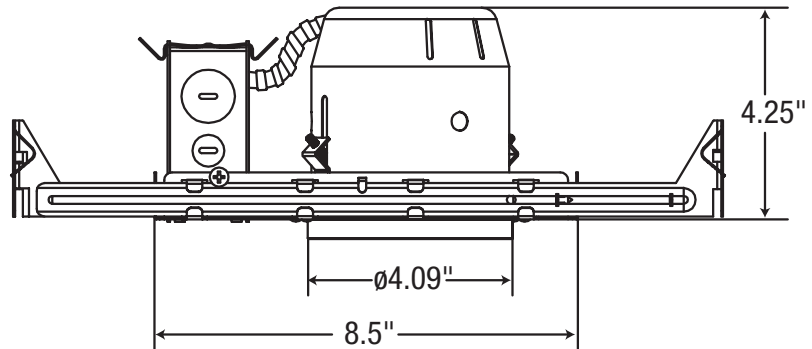
White-White



Housings

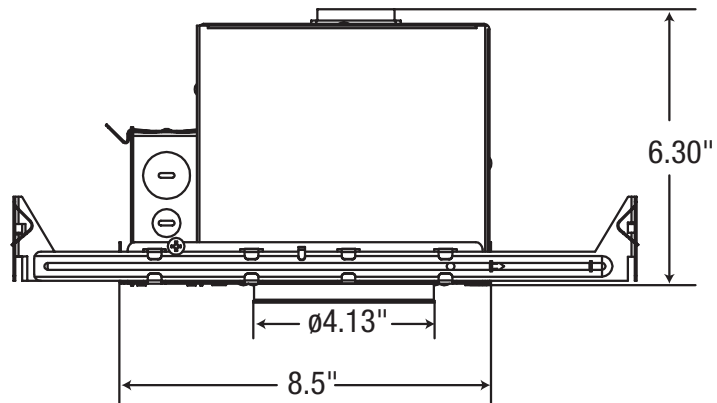
REC4-L

Frame-in kit for non-insulated ceiling



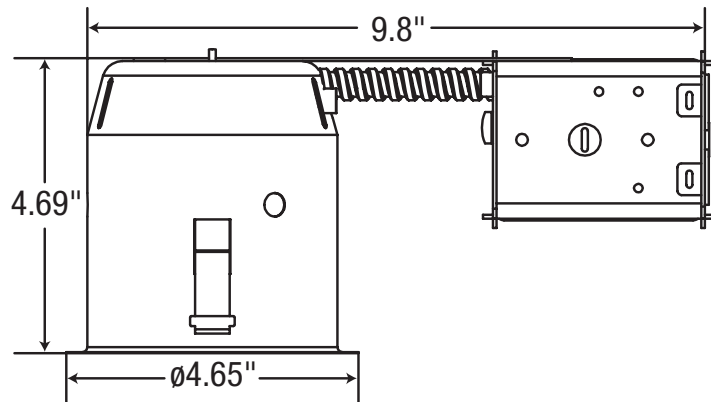
REC4IC-L

Frame-in kit for insulated ceiling



REC4R-L

Frame-in kit for remodeler



Housings

Screw-In Mounting System

The self-positioning screw-in mounting system of the remodeler housing allows for an easy, fast and secure installation even in not-so-perfect conditions.

Quick Connect Wire Connectors

All our housings are equipped with quick connect wire connectors which allow for effortless and rapid connection of the fixture to the main power supply.



3D view

with integrated reflector,
COB and heatsink

