

LED EXIT LAMPS AND ADAPTORS

These LED exit lamp kits minimize energy consumption and maintenance costs compared to their incandescent equivalent, while evenly illuminating both sides of the sign.

5
yrs
warranty


flicker
free


enclosed
fixture



■ Easy Retrofit Solution

Each retrofit kit comes with multiple adapters and adjustable bases.

■ Convenient Packaging

Our LED exit lamps are offered in 2 packaging types. The blister pack is ideal when you want to showcase the items, and the bulk 2-pack is contractor friendly and can be easily stocked.

■ Energy Efficacy

LED lamps produce higher lumens per watt, generate minimal heat and can be up to 85% more efficient than traditional lamps.

Exit lamps and adaptors



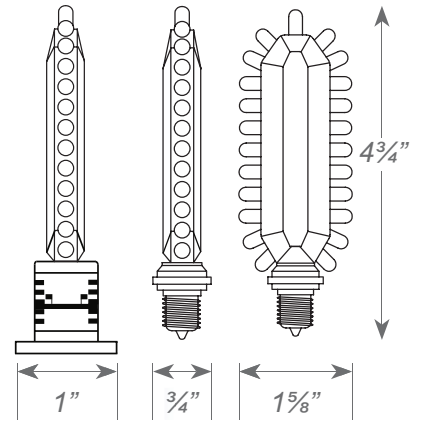
Exit



Metal adapter



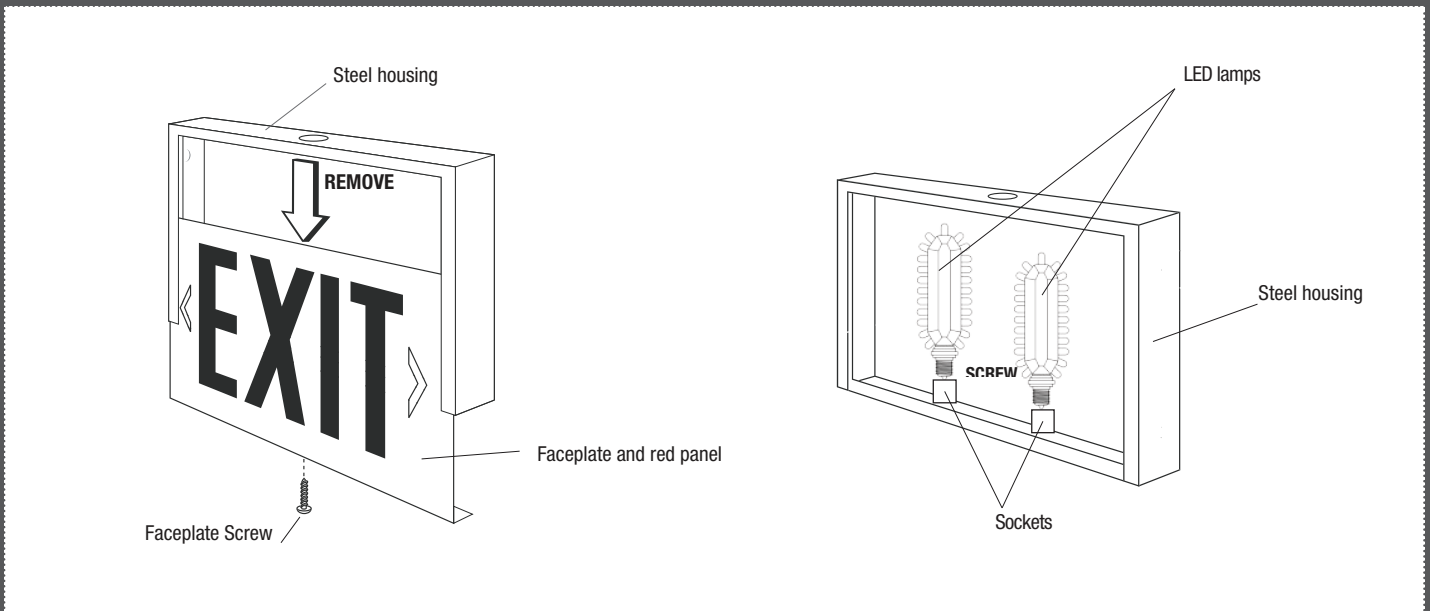
Copper adapter



Linearts

Installation

Easy Retrofit Solution



Specification Table

Order code	Description	Shape	Watts (W)	Volts (V)	Color	Life L70 (hrs)	Case qty
68969	LED/EXIT/S2/1.4W/E12/STD 2P	U Shape	1.4	120	Red	80 000	8/32
69077	LED/EXIT/S2/1.4W/E12/STD 2P BULK	U Shape	1.4	120	Red	80 000	2/400

Kit includes

- 2 lamps E12 candelabra base
- 2 adaptors for E17 intermediate base
- 2 adaptors for DC (BA15d) base