

## HIGH INTENSITY LED LAMPS A & PS Shape

Standard LED high output replacement A21 and PS30 lamps are the perfect energy efficient substitution for high-wattage traditional incandescent and HID lamps. They are offered in a variety of wattages and color temperatures and are available with dimming or universal 120-277 V for HID retrofit applications. Without compromising on light output, their small size is perfect for restrictive spaces such as bollards, wall packs and indoor high ceiling applications.



### ■ Installation versatility

These LED High Intensity lamps can be used base up or base down. In contrary to a large number of other LED high intensity lamps, they have been designed for very small applications such as bollard fixture.

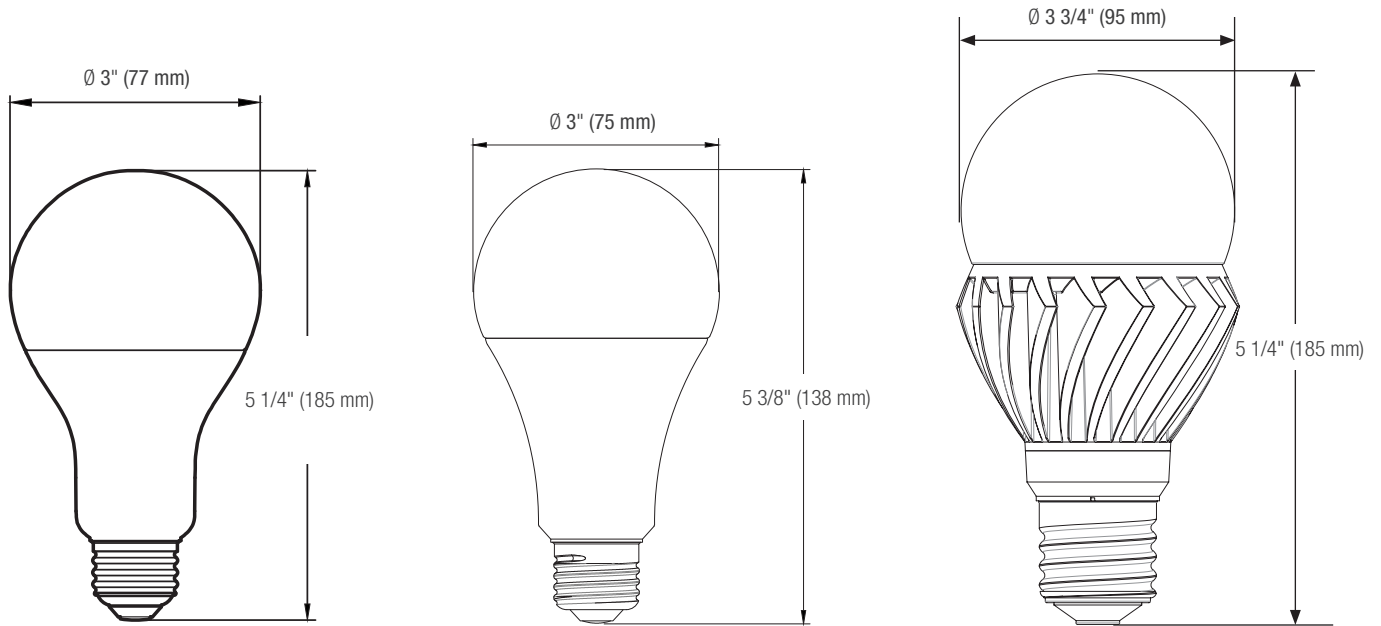
### ■ Economical retrofit solution

No need for a time consuming fixture replacement! Simply bypass the ballast and screw the lamp in. The ballast bypass is the best option for long term installations since it prevents the need to go back and replace the ballast at a later time.

### ■ Omni-directional design

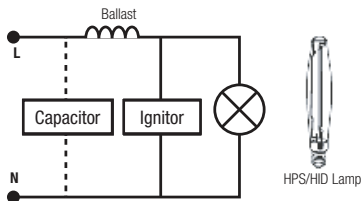
The omni-directional design delivers broad even light distribution and unsurpassed lumen output.

# Technical Drawings



# Installations

## HPS/HID WIRING DIAGRAM



NOTE: IMAGES FOR REFERENCE PURPOSES ONLY

## LED RETROFIT LAMP WIRING DIAGRAM

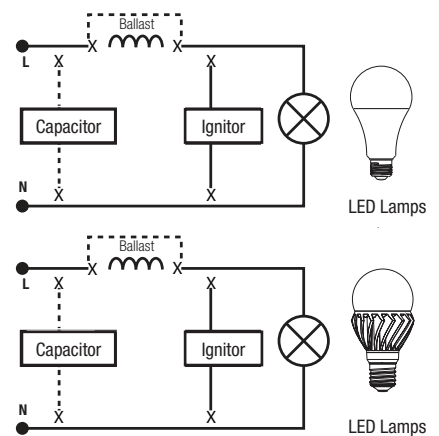


Fig. 1

## Summary Specification Table

Order code	Description	Watts (W)	Base	Volts (VAC)	Color temp (K)	CRI	Life (h)	Lumen output (lm) <sup>1</sup>	Dimmable (yes/no)	Case qty (master)
<b>A21 120 V</b>										
68920	A21HO/18W/30K/120/STD	18	E26	120	3 000	90	25 000	2 000	Yes	12
68921	A21HO/18W/40K/120/STD	18	E26	120	4 000	90	25 000	2 000	Yes	12
68922	A21HO/18W/50K/120/STD	18	E26	120	5 000	90	25 000	2 000	Yes	12
<b>A21 120-277 V</b>										
69003	A21HO/20W/30K/120-277/ND/STD	20	E26	120-277	3 000	80	25 000	2 600	No	12
69004	A21HO/20W/40K/120-277/ND/STD	20	E26	120-277	4 000	80	25 000	2 600	No	12
69005	A21HO/20W/50K/120-277/ND/STD	20	E26	120-277	5 000	80	25 000	2 600	No	12
<b>PS30 120-277 V</b>										
68926	PS30/36W/40K/120-277/EX39/STD	36	EX39	120-277	4 000	80	50 000	4 500	No	6
68927	PS30/36W/50K/120-277/EX39/STD	36	EX39	120-277	5 000	80	50 000	4 500	No	6

<sup>1</sup>Lumen values are derived from photometric testing

For a complete list of compatible ballasts and DLC qualified products, please visit [www.standardpro.com](http://www.standardpro.com)

## Traditional Equivalent

LED (W)	CFL (W)	Incandescent (W)	HID (W)
18	32	150	50
20	32 - 40	150 - 200	50 - 75
36	55	300	100