

T8 - BALLAST BYPASS 5 CCT SELECTABLE

Standard's new T8 - 5 CCT selectable are a great versatile retrofit solution. Available for ballast bypass installation, they cover a wide range of fixtures and applications. They are perfect to reduce inventory and maintenance!



enclosed
fixture



■ Color Selectable

A LED tube solution offering ultimate versatility, with the ability to change between 5 color temperatures (3 000/3 500/4 000/5 000/6 500 K) for a variety of projects and application. An ideal solution for reducing inventory.

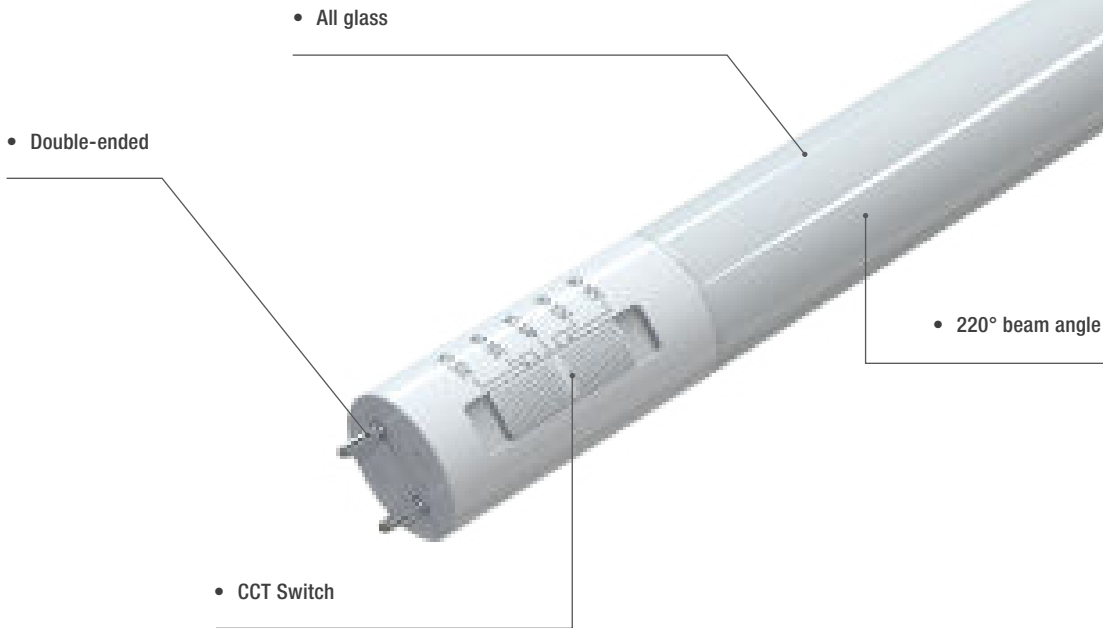
■ Double-ended tube

Double-ended tubes are wired at both ends allowing them to work on shunted and non-shunted sockets. No socket rewiring is needed: simply bypass the ballast and insert the LED tube.

■ Easy Maintenance

They offer safe and simple installation which also allows for years of little to no maintenance with an extremely cost efficient operation.

Characteristics



NEW! Installation instructions now available with QR Code

Scan for Installation Instructions
Scanner pour la Notice de montage



5 YEAR WARRANTY

STANDARD LED/DEL T8

BALLAST BYPASS SINGLE-COLOUR E 1800K
DERIVATION DU BALLAST SIMPLE-COULEUR EXTENDUE 1800K

14 20 2700K 3000K 4000K

60 120 150 180 240 300 360

220°

69194

Scan for installation instructions
Scanner pour la Notice de montage

www.standardpro.com

1800 1.60P

STANDARD

Summary Specification Table

Order code	Model number	Watts (W)	Volts (V)	Color temp. (K)	Lumen output (lm)	CRI	Life (hours)	Case qty (master)
69194	T8/14W/80/5CCT/48/BYP/120-277/STD	14	120-277	3 000/3 500/4 000/5 000/6 500	1 800	80	50 000	25
69195	T8/17W/80/5CCT/48/BYP/120-277/STD	17	120-277	3 000/3 500/4 000/5 000/6 500	2 200	80	50 000	25