

Series Spec Sheet

LED CEILING DISK LIGHT

5CCT Selectable

4", 6"

The LED Disk CLDK combines exceptional light output with a traditional ceiling look. Installing them directly into a junction box, this fixture is versatile and will fit any application. Offered in 2 sizes and 5 Color temperature selectable, this ceiling luminaire is the perfect solution for commercial and residential applications.

FEATURES AND SPECIFICATIONS

• Construction

- Finishing
 - White finish
 - Housing material: metal
 - Frosted lens

Mounting

- Surface mount
- Easy keyhole installation, twist-lock lens

• Technical specifications

- 120 V
- Colour temperature selectable, 2 700 K/3 000/ 3 500 K/4 000 K/5 000 K
- 90+ CRI
- Estimated lifespan of 50 000 hours to L70
- Ambient temperature: -20°C - +45°C
- Suitable for wet location

• Compliances

- Energy Star
- cULus
- CULus for Wet location
- Meets requirements of ICES-005 for class B products



OVERVIEW

Light source	LED
Watts (W)	8, 15
Lumen output (lm)	580, 1 000
Efficiency (lm/W)	67, 73
Color temperature (K)	5 CCT (2 700, 3 000, 3 500, 4 000, 5 000)
CRI	90+



**quick
ship**



**wet
location**



**dimnable
fixture**



**ICES
005**



QUICK SHIP AND TECHNICAL SPECIFICATION TABLE 1

Order code	Model number	Watts (W)	Volts (VAC)	Color temp. (K) ²	Lumen output (lm) ³	Efficiency (lm/W)	CRI	Life L70 (hrs) ⁴	Shape	Finish	Dimming (Yes/No)	Power factor	THD (%)	Case qty (master)
4"														
68284	CLDK4-R8W-A/5CWH	8	120	2 700 / 3 000 / 3 500 / 4 000 / 5 000	580	73	90+	50 000	Round	White	Yes	>0.9	20	16
6"														
68285	CLDK6-R15W-A/5CWH	15	120	2 700 / 3 000 / 3 500 / 4 000 / 5 000	1000	67	90+	50 000	Round	White	Yes	>0.9	20	8

¹ **QUICK SHIP:** Product availability is subject to change without notice. Please contact your Stanpro customer service representative to confirm inventory levels at time of order.

² Typical color temperature range: +/- 5 %.

³ Lumens values from Energy Star reported data

⁴ Life hours are derived from IESNA LM-80-08 testing report and projected per IESNA TM-21-11 extrapolations.

TECHNICAL SPECIFICATION TABLE

Order Code	Watts (W)	Volts (V)	2 700 K		3 000 K		3 500 K		4 000 K		5 000 K		CRI	Life L70 (hrs)
			Lumen (lm)	Efficiency (lm/W)	Lumen (lm)	Efficiency (lm/W)	Lumen (lm)	Efficiency (lm/W)	Lumen (lm)	Efficiency (lm/W)	Lumen (lm)	Efficiency (lm/W)		
68284	8	120	548.7	69	558.1	70	577.6	72	592.1	74	615.6	77	90+	50 000
68285	15	120	1 075.1	72	1 107.6	74	1 152.6	77	1 182.3	79	1 221.2	81	90+	50 000

COMPATIBLE DIMMERS

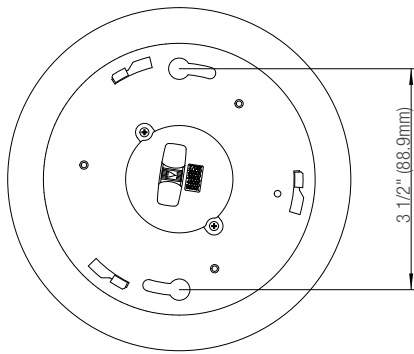
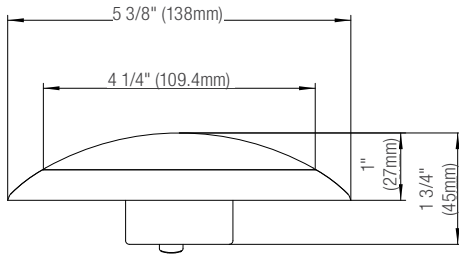
Brand	Product type & dimmer model number	
	4"	6"
Legrand	PD-5NE	PD-5NE, RH703PTUTC
Cooper	RRD-6NA, AAL06, SLC03P	RRD-6NA
Leviton	IPL06, 6674, DSL06-1ZL, DSM10-1LZ, IPE04-1LZ, DDMX1	IPL06, 6674, DSL06-1ZL, DSM10-1LZ, IPE04-1LZ, DDMX1
Lutron	PD-6WCL, DVCL-153P, CTCL-153P, DVCL-253P, AYCL-253P, DVRP-253, SELV-300P, MACL-153P	PD-6WCL, DVCL-153P, CTCL-153P, DVCL-253P, AYCL-253P, DVRP-253, SELV-300P, MACL-153P

NOTE: The above table shows dimmers that have been tested and have demonstrated proper operation under normal conditions. Each installation being unique, various factors such as load, common neutrals or other electrical products on the circuit can, in certain instances, cause variance in system performance. Read and comply to the dimmer installation instructions. Consult dimming system manufacturer for additional support in operation. Standard recommends to use dimmers designed to work with LED products. Older dimmers designed for incandescent products may cause erratic operation. Some dimmers may require more than one product for stable operation. The maximum number of products is determined by the dimmer wattage rating with LEDs. Be careful, these dimmers have different ratings depending on the product type. Again, refer to the dimmer installation instructions.

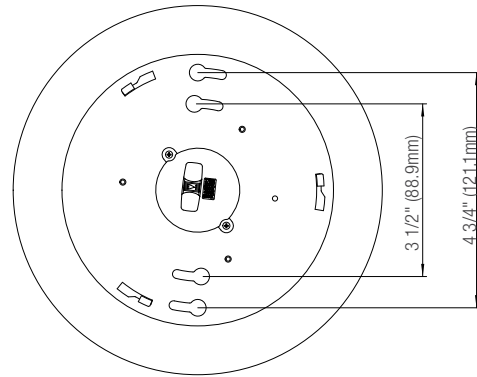
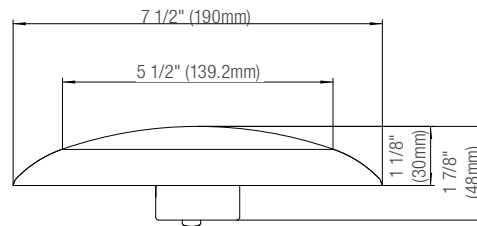
Data is based upon tests performed in a controlled environment. Actual performance can vary depending on operating conditions. All products are subject to change or may be discontinued any time without notice.

DIMENSIONS

4"



6"

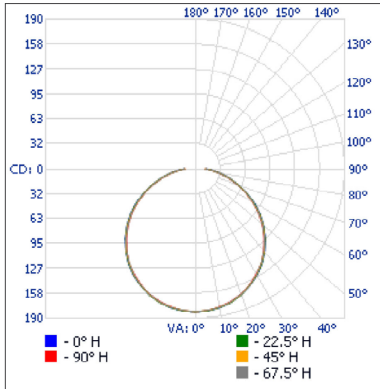


Data is based upon tests performed in a controlled environment. Actual performance can vary depending on operating conditions. All products are subject to change or may be discontinued any time without notice.

PHOTOMETRIC DATA¹

68284 • CLDK4-R8W-A5CWH-30K • 558.1 lm

Polar candela distribution



Zonal lumen summary

Zone	Lumens	% Fixture
0-30	142.2	25.5%
0-40	233.9	41.9%
0-60	418.7	75%
60-90	139.4	25%
0-90	558.1	100%

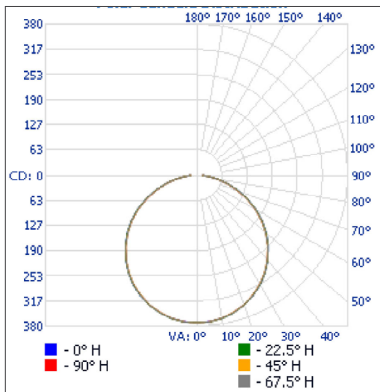
Illuminance at a distance

	Center beam fc		Beam width	
	1.7'	63.0	5.5'	5.3'
3.3'	16.7	10.7'	10.3'	
5.0'	7.29	16.2'	15.7'	
6.7'	4.06	21.7'	21.0'	
8.3'	2.64	26.9'	26.0'	
10.0'	1.82	32.4'	31.3'	

■ Vert. spread: 116.6°
■ Horiz. spread: 114.9°

68285 • CLDK6-R15W-A5CWH-30K • 1 107.6 lm

Polar candela distribution



Zonal lumen summary

Zone	Lumens	% Fixture
0-30	289.8	26.2%
0-40	476.4	43%
0-60	850.0	76.7%
60-90	257.6	23.3%
0-90	1 107.6	100%

Illuminance at a distance

	Center beam fc		Beam width	
	1.7'	129	5.3'	5.3'
3.3'	34.1	10.4'	10.3'	
5.0'	14.9	15.7'	15.6'	
6.7'	8.28	21.1'	20.8'	
8.3'	5.40	26.1'	25.8'	
10.0'	3.72	31.5'	31.1'	

■ Vert. spread: 115.1°
■ Horiz. spread: 114.5°

¹ Complete IES files available on our website.

Data is based upon tests performed in a controlled environment. Actual performance can vary depending on operating conditions. All products are subject to change or may be discontinued any time without notice.